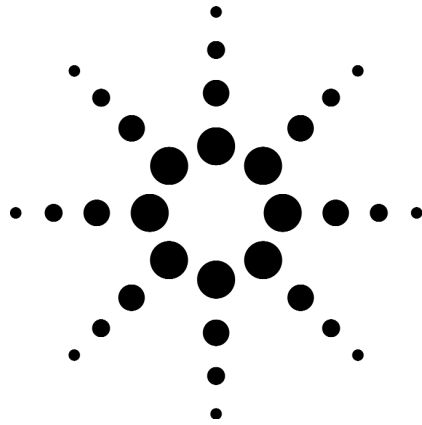


Agilent 3G cdma2000 Test Software J6845A

Data Sheet

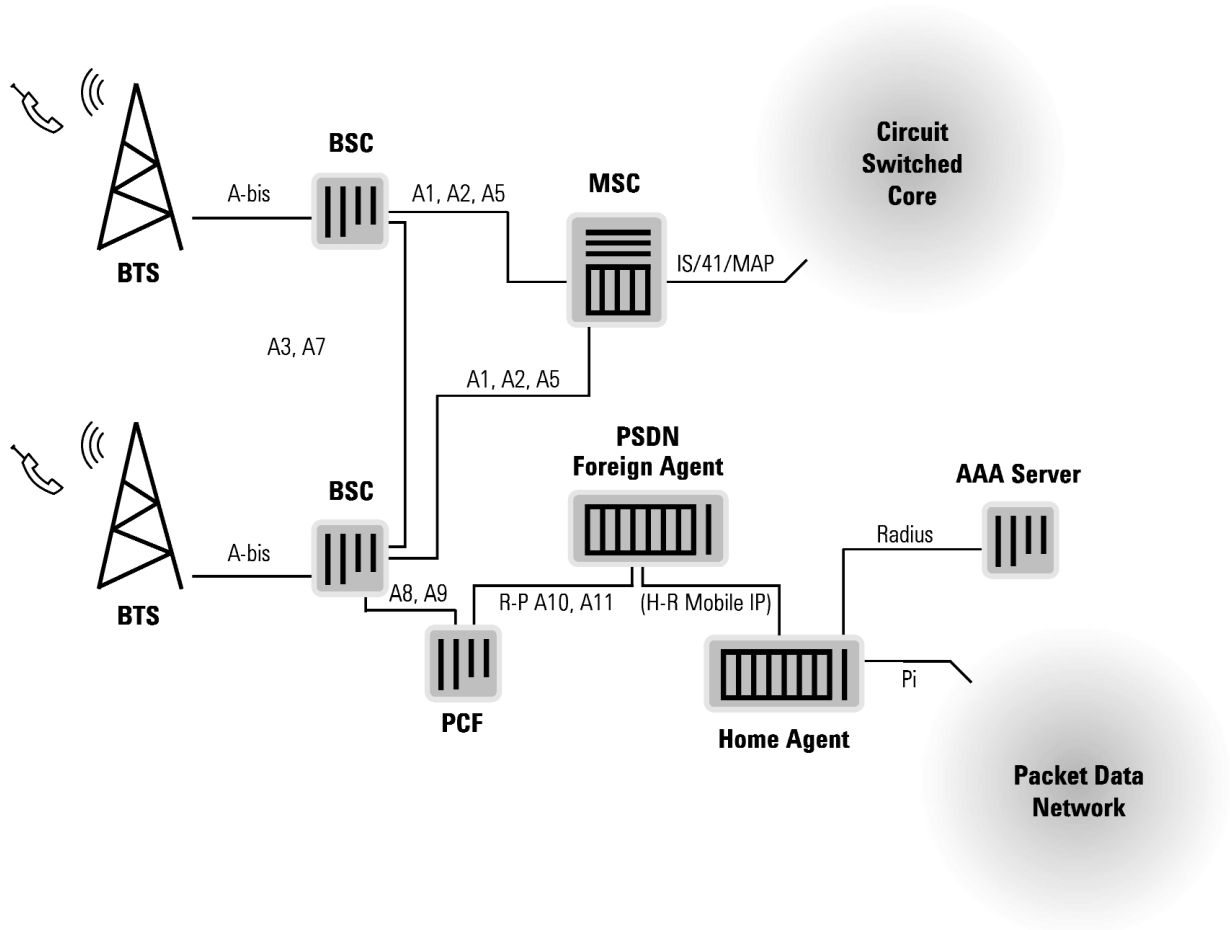


Agilent Technologies

J6845A 3G cdma2000 Test Software Overview

The 3G cdma2000 Test Software is a tool for field engineers and technicians to develop and troubleshoot 3G Radio Access and core networks. As you deploy and manage the day-to-day operations of your 3G cdma2000 network, you need tools that support a large mix of technologies and network protocols. The Network Analyzer hardware platform coupled with J6845A software provides various 3G protocol decodes for cdma2000 interfaces such as A3, A7, A8, A9, R - P (A10 and A11) and Pi with extensive filtering capabilities which enables accelerated development and deployment of 3G Radio Access and Core Networks. The 3G cdma2000 test software runs on both the J6800A Network Analyzer and the J6801A Distributed Network Analyzer.

Figure 1: cdma2000 Network



General Feature Summary

- Dedicated software for cdma2000 networks
- 3G cdma2000 RAN and core decodes
- Protocol decodes on Abis, A3, A7, A9 and A11 (MIP) control plane interfaces
- Protocol decodes on Abis, A3, A8, A10 and Pi user plane plane interfaces
- 3G protocol filters
- Protocol Statistics
- Mobile IP
- Radius
- Radius Accounting
- Full suites of Ethernet routing, tunneling, management and application protocols supported
- Tunneling protocols include GRE, L2TP, IPinIP and more
- CSV file data supported
- Auto discovery of Ethernet protocols supported
- Auto link negotiation for Ethernet supported
- Available with any supported Ethernet LIMs

Supported Protocols and Technical Standards

A wide variety of Ethernet and ATM protocols are supported in this complete cdma2000 test solution. The test instrument features a full suite of UDP and TCP/IP protocols including routing and tunneling protocols such as IPinIP, GRE, L2TP, MPLS, OSPF, BGP, PPP over Ethernet and more. A large number of upper layer TCP/IP protocols are supported SMPP, FTP, HTTP,SMTP, Telnet, WAP etc. Below is a subset of signaling protocols supported, particularly important to cdma2000.

3GPP2 and Other Signaling Protocols

IOS A3	cdma2000 3GPP2 A.S0016-0 v2.0 cdma2000 3GPP2 A.S0015-0 v2.0
IOS A7	cdma2000 3GPP2 A.S0016-0 v2.0 cdma2000 3GPP2 A.S0015-0 v2.0
IOS A9	cdma2000 3GPP2 A.S0016-0 v2.0 cdma2000 3GPP2 A.S0015-0 v2.0
IOS A11 (MIP)	cdma2000 3GPP2 A.S0017 v2.0
MIP Reverse Tunneling	RFC 3024, 3012, 3025, 2794
IP Mobility Support	RFC 2002
Minimum IP Encapsulation	RFC 2004 for MIP
RADIUS	RFC 2138, 2865, 2868, 2869
RADIUS Accounting	RFC 2139, 2866, 2867
Abis	cdma2000 3GPP2 A.S0003-A v2.0
CHAP	RFC 1994

For a full list of ATM and Ethernet cdma2000 protocols, please contact your local Agilent representative.

Network Analyzer

The Agilent Network Analyzer is a comprehensive and powerful test, troubleshooting and optimization tool. The hardware platform is a robust dispatched and distributed troubleshooting solution. Add any appropriate link interface module and you are ready to test across multiple links and different protocols. A range of different link interface modules from high speed ATM to fast Ethernet and Gigabit Ethernet enables your troubleshooting solution to grow with your requirements as your test needs change over time. With the Network Analyzer, users will not only have a platform able to carry out in-depth Ethernet and cdma2000 analysis, but also a platform already enabled and ready for VoIP analysis including H.323, H.248 MEGACO and SIP.

- Supports any available ATM, WAN or LAN Line Interface Module (LIM)
- LIMs are hot-swappable and interchangeable
- Full-rate capture from any LIM up to 1 Gbps
- Time stamping with 100ns accuracy
- 256MB capture memory per LIM
- 32 real-time hardware capture filters
- Advanced auto-encapsulation detection (patent pending)
- Internal time-synchronization between acquisition systems
- Interfaces for external GPS receiver for global time-synchronization
- Agilent Control & Sync technology hardware provided to allow time synchronization of attached Distributed Network Analyzers

Integrated Reporting Tools to Benchmark Network Performance

Report Center is an optional intuitive and easy to use reporting tool. The software provides interactive reports with variable display intervals, intelligent thresholds, zoom capabilities and multi-segment time correlation. Output is created in Adobe Acrobat and Rich Text Format. The reports are a great tool for creating a snapshot view of network performance or base lining over time.

Related Literature

Agilent Network Analyzer	Technical Overview	5988-4231EN
Agilent Network Analyzer	Data Sheet	5988-4176EN
Agilent Network Analyzer	Configuration Guide	5988-4248EN
Agilent Signaling Advisor	Data Sheet	5988-4930EN
Agilent Signaling Advisor	Technical Overview	5988-5330EN
Agilent Signaling Advisor	Configuration Guide	5988-4929EN

Microsoft Windows® is a U.S. Registered trademark of the Microsoft Corporation

Windows® is a U.S. Registered trademark of the Microsoft Corporation

Pentium® is a U.S. Registered trademark of the Intel Corporation

Adobe Acrobat® is a U.S. Registered trademark of Adobe Systems Incorporated

Notes

Agilent Technologies' Test and Measurement Support, Services, and Assistance

Agilent Technologies aims to maximize the value you receive, while minimizing your risk and problems. We strive to ensure that you get the test and measurement capabilities you paid for and obtain the support you need. Our extensive support resources and services can help you choose the right Agilent products for your applications and apply them successfully. Every instrument and system we sell has a global warranty. Support is available for at least five years beyond the production life of the product. Two concepts underlie Agilent's overall support policy: "Our Promise" and "Your Advantage."

Our Promise

Our Promise means your Agilent test and measurement equipment will meet its advertised performance and functionality. When you are choosing new equipment, we will help you with product information, including realistic performance specifications and practical recommendations from experienced test engineers. When you use Agilent equipment, we can verify that it works properly, help with product operation, and provide basic measurement assistance for the use of specified capabilities, at no extra cost upon request. Many self-help tools are available.

Your Advantage

Your Advantage means that Agilent offers a wide range of additional expert test and measurement services, which you can purchase according to your unique technical and business needs. Solve problems efficiently and gain a competitive edge by contracting with us for calibration, extra-cost upgrades, out-of-warranty repairs, and on-site education and training, as well as design, system integration, project management, and other professional engineering services. Experienced Agilent engineers and technicians worldwide can help you maximize your productivity, optimize the return on investment of your Agilent instruments and systems, and obtain dependable measurement accuracy for the life of those products.

Agilent Ordering Information

J6845A 3G cdma2000 Test Software

Warranty and Support Services

Software 90-day media replacement

Online assistance: www.agilent.com/find/assist

By internet, phone or fax, get assistance with all your test and measurement needs.

Australia	1800 629 485
Austria	0820 87 44 11
Belgium	+32 (0) 2 404 9340
Brazil	+55 11 4197 3600
Canada	877 894 4414
China	800 810 0189
Denmark	+45 70 13 15 15
Finland	+358 (0) 10 855 2100
France	+33 (0) 825 010 700
Germany	+49 (0) 1805 24 6333
Hong Kong	800 930 871
India	1600 112 929
Ireland	+353 (0)1 890 924 204
Israel	+972 3 6892 500
Italy	+39 (0)2 9260 8484
Japan	0120 421 345
Luxembourg	+32 (0) 2 404 9340
Malaysia	1800 888 848
Mexico	+52 55 5081 9469
Netherlands	+31 (0) 20 547 2111
Philippines	1800 1651 0170
Russia	+7 095 797 3963
Singapore	1800 375 8100
South Korea	080 769 0800
Spain	+34 91 631 3300
Sweden	0200 88 22 55
Switzerland-Italian	0800 80 5353
Switzerland-German	0800 80 5353
Switzerland-French	0800 80 5353
Taiwan	0800 047 866
Thailand	1800 226 008
United Kingdom	+44 (0) 7004 666666
USA	800 452 4844

Product specifications and descriptions in this document are subject to change without notice.

© Agilent Technologies, Inc. 2002
Printed in U.S.A. December 17, 2002



5988-8333EN

Together with Agilent, gain the Extreme Productivity
Improvements that your business demands!

www.agilent.com/comms/XPI



Agilent Technologies