

Agilent L4437A 32-chan Form A/Form C General Purpose Switch

Data Sheet

- LXI compliance includes built-in Ethernet connectivity
- Fully-featured graphical Web interface
- 28 Form C channels up to 1 A, 60 W
- 4 Form A channels up to 5 A, 150 W
- Armature latching relays
- Relay counter
- Temperature sensor for overheating conditions
- Simultaneous channel switching
- Software drivers for most common programming environments



General purpose switch offers high-power signal switching wherever your application needs it

The Agilent L4437A is a general purpose switch that is LXI Class C compliant. With its small size and Ethernet connectivity, this switch can be placed wherever your application needs it.

The L4437A has 32 general purpose switches that can be used to cycle power to products under test, control status lights, and to actuate external power relays and solenoids.

28 channels are Form C switches for basic switching needs. An addition 4 Form A channels are offered for high-power switching needs.

Using this LXI instrument, you'll get all the benefits of an Ethernet connection, instrument Web server, standard software drivers and more. The LXI standard is supported by multiple vendors, enabling lower cost of test with accelerated test integration and development.



Agilent Technologies

Versatile switching for your high-power switching needs

The L4437A general-purpose switch can be used to route signals or to control other system devices. This switch is ideal for device actuation and switching loads or power supplies.

The L4437A switch has 28 independent single-pole, double-throw (SPDT) 1 A relays and 4 single-pole, single-throw (Form A) 5 A relays. The 28 Form C channels have 300 V, 1 A contacts and can handle up to 60 W. The form A channels are 30 VDC/250 VAC, 5 A contacts and can handle up to 150 W, enough for many power line-switching applications.

These switches are made of latching armature relays where multiple channels can be closed at the same time. Additionally, for switching reactive loads, the optional terminal blocks have pads for snubbing circuits.

The sequence feature defines switch closures and controls and can be used to easily change between different switch setups. Assign a sequence, give it a name and then execute it with the custom name you created.

External trigger capabilities make it easy for you to time and synchronize switch closures and openings.

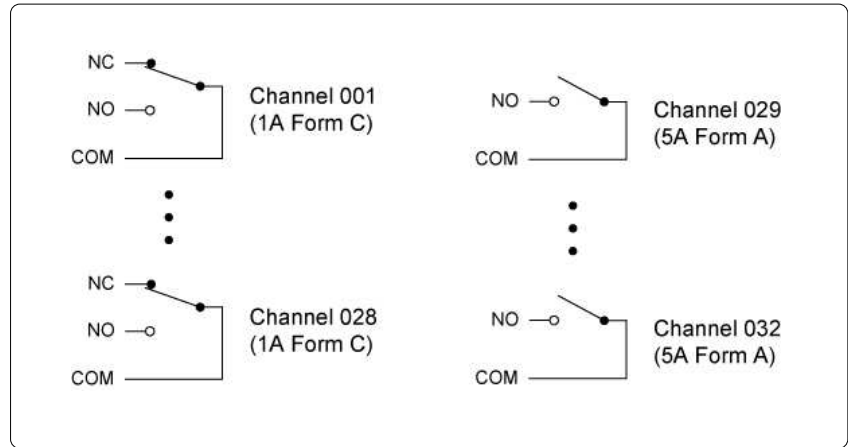


Figure 1. L4437A 32-Ch General Purpose Switch

The L4437A also includes a relay counter to monitor and help predict when relays are nearing their end of life.

System connections you can trust
The L4437A comes with 2 heavy duty 50-pin Dsub connectors that allow for simple, reliable connection options. Each connector uses 30 micro-inches of gold to ensure a repeatable, accurate measurement. Flexible connection options include:

- Detachable terminal blocks with strain relief
- Low-cost, standard 50-pin Dsub connector kits and cables
- Mass interconnect solutions

Ethernet connectivity enables simple connection to the network and remote access to measurements

The Ethernet interface offers high-speed connections that allow for remote access and control. You can set up a private network to filter out unwanted LAN traffic and speed up the I/O throughput, or take advantage of the remote capabilities and distribute your tests worldwide. Monitor, troubleshoot, or debug your application remotely. Ethernet communication also can be used with the support of LAN sockets connections.

The optional GPIB interface has many years of proven reliability and can be used for easy integration into existing applications.

The L4437A ships with the Agilent E2094N I/O Libraries Suite making it easy for you to configure and integrate instruments into your system – even if your system includes instruments from multiple vendors.

Fully-featured graphical Web interface makes it easy to set-up and troubleshoot your tests from anywhere in the world

The built-in Web browser interface provides remote access and control of the instrument via a Java-enabled browser such as Internet Explorer. Using the Web interface, you can set up, troubleshoot, and maintain your instrument from remote locations.

- View and modify instrument setup
- Open or close switches
- Send, receive and view SCPI commands
- Define and execute switch sequences
- View error queue
- Get status reports on relay counts, firmware revisions, and more

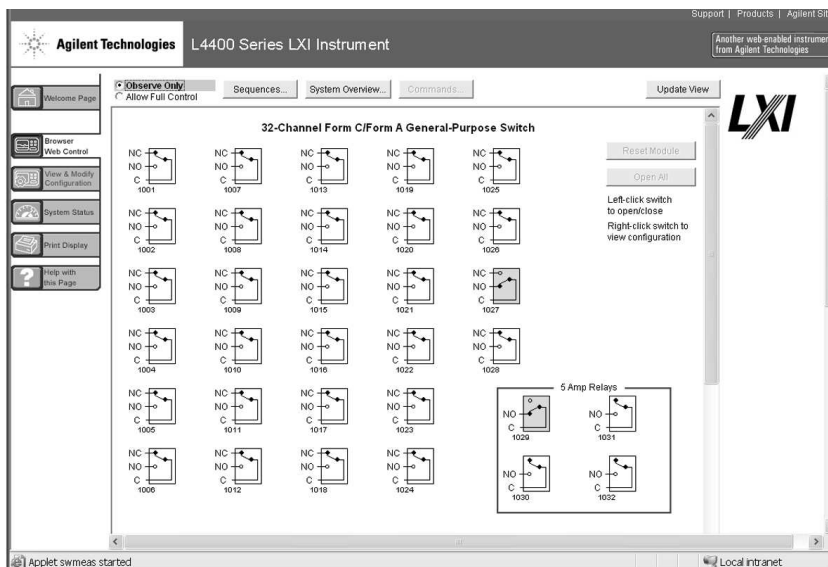


Figure 2. The Web interface makes it easy to set up, troubleshoot and maintain your test remotely

Additionally, since the Web server is built into the instrument, you can access it on any operating system that supports the Web browser without having to install any special software. Password protection and LAN lockout are also provided to limit access for additional security.

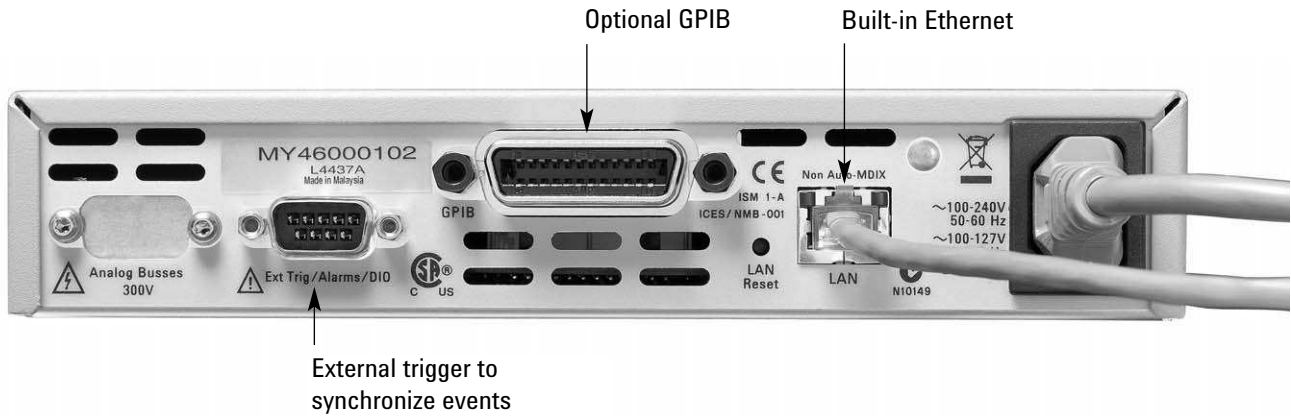
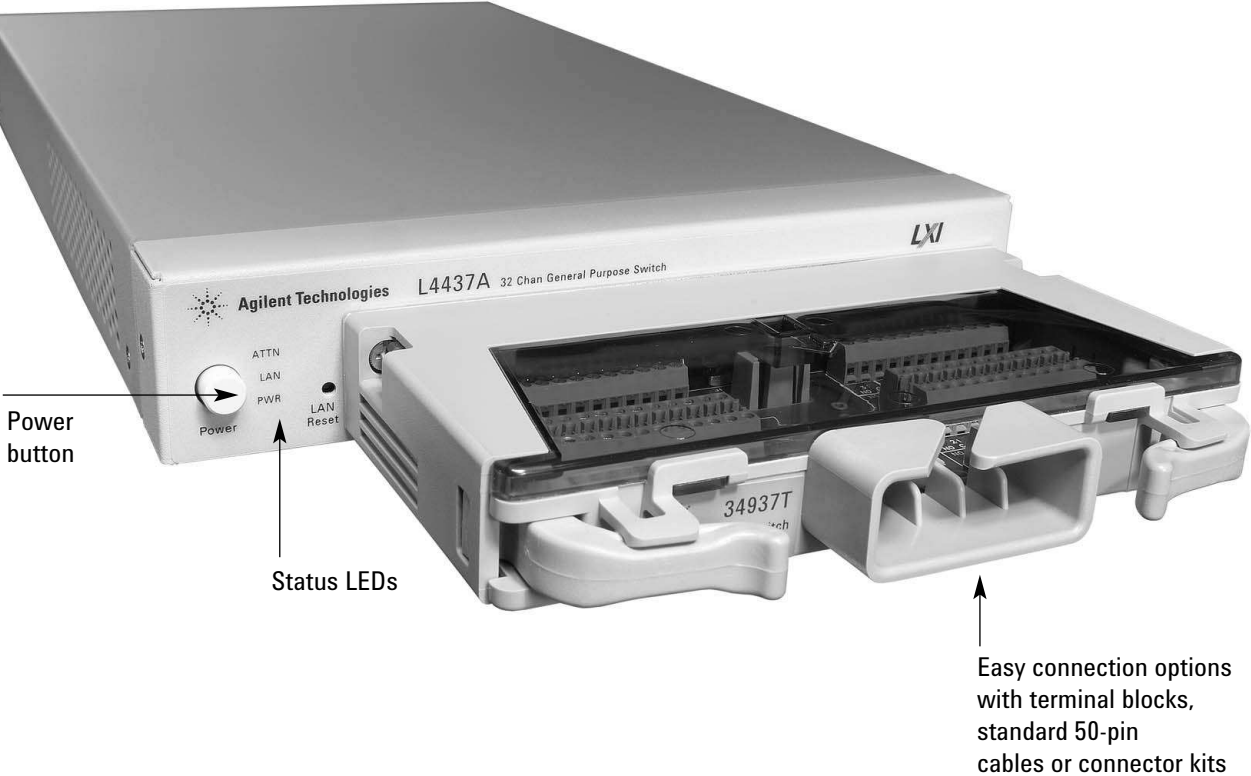
Software for most popular programming environments

Full support for standard programming environments ensures compatibility and efficiency. You can use direct I/O with the software you already have and know, or use

standard IVI and LabVIEW™ software drivers that provide compatibility with the most popular development environments:

- Agilent T&M Toolkit for Microsoft Visual Studio®.NET and Agilent VEE Pro
- National Instruments LabVIEW, LabWindows/CVI, TestStand, and Switch Manager
- Microsoft C/C++® and Visual Basic®

High-performance switching wherever your application needs it



Product Specifications

Specifications and Characteristics

	Channels/configurations	28 form C 4 Form A
	Switch type	Armature latching
Input characteristics (per channel)		
	Max volts (DC, AC RMS) ¹	Form C - 300 V Form A 30 VDC/250 VAC
	Max current (DC, AC RMS)	Form C - 1 A switch (2 A carry) Form A - 5 A switch (8 A carry)
	Power (W, VA) ²	Form C - 60 W Form A - 150 W
	Volt-Hertz limit	10 ⁸

General specifications

	Offset voltage	< 3 μ V
	Initial closed channel resistance	Form C - 125 m Ω Form A - 50 m Ω
	DC Isolation (ch-ch, ch-earth)	>10 G Ω

AC characteristics

	Bandwidth at terminal block ³	10 MHz
	Channel isolation at terminal block (ch-ch) ³	
	100 kHz	55 dB
	1 MHz	35 dB
	10 MHz	15 dB
	Capacitance at terminal block	
	Ch-Ch	Form C 12 pF/ Form A 10 pF
	Ch-earth	Form C 21 pF/Form A 18 pF

General characteristics

	Relay life typical	Form C – 100 M/100 k Form A – 50 M/30 k
	Open /close time	Form C – 4 ms/4 ms Form A – 10 ms/10 ms
	Initial/reset relay state	Form C – maintains state Form A – user configurable
	Analog bus connection	No

¹ DC or AC RMS voltage, channel-to-channel or channel-to-earth

² Limited to 6 W of channel resistance power loss

³ 50 Ohm source, 50 Ohm load, differential measurements verified (S21)

Product Specifications (continued)

General specifications

Power supply	Universal 100 V to 240 V \pm 10%
Power line frequency	50 Hz to 60 Hz \pm 10% automatically sensed
Power consumption	15 VA
Operating Environment	Full accuracy for 0°C to 55°C Full accuracy to 80% R.H. at 40 °C Pollution degree 1 of IEC 61010-1
Storage environment	-40°C to 70°C
Dimensions (H x W x L)	40.9 x 212.3 x 379.3 mm 1.61 x 8.36 x 14.93 in
Weight	3.8 kg, 8.4 lbs
Safety conforms to	CSA, UL/IEC/EN 61010-1
EMC conforms to	IEC/EN 61326-1, CISPR 11
Warranty	1 year

Memory

States	5 instrument states with user label in non-volatile memory
--------	--

Product Specifications (continued)

Software

Agilent connectivity software included	Agilent I/O Libraries Suite 14 or greater (E2094N)
--	--

Minimum system requirements

PC hardware	Intel Pentium 100 MHz, 64 Mbyte RAM, 210 Mbyte disk space Display 800x600, 256 colors, CD-ROM drive
Operating system ¹	Windows [®] 98 SE/NT/2000/XP

Computer interfaces

Standard LAN 10BaseT/100BaseTx
Optional IEEE 488.2 GPIB

Software driver support for programming languages

Software drivers	IVI-C and IVI-COM for Windows NT [®] /2000/XP LabVIEW
------------------	---

Compatible with programming tools and environments

Agilent	VEE Pro T&M Toolkit (reqs Visual Studio.NET)
National Instruments	TestStand Measurement Studio LabWindows/CVI LabVIEW Switch Executive
Microsoft	Visual Studio.NET [®] C/C++ Visual Basic 6 [®]

¹ Load I/O Libraries Version M for Windows NT support or version 14.0 for Windows 98 SE support

Ordering information

L4437A 32 Channel Form C/Form A General Purpose Switch

Includes User's guide on CD, test report, power cord, and Quick Start package

Option - GPIB

Adds GPIB interface

Option 0B0

Deletes printed manual set, full documentation included on CD ROM

Option ABA

English printed manual set

Connection Options

Select terminal block for discrete wiring, cables or connector kits. Cables and connector kits require 2 per instrument.

34937T

Terminal block for 34937A and L4437A General Purpose Switch

Y1135A

1.5 m 50-pin Dsub, M/F twisted pair with outer shield cable – 300 V

Y1136A

3 m 50-pin Dsub, M/F twisted pair with outer shield cable – 300 V

Y1139A

Solder cup connector kit with female 50-pin Dsub

Other accessories

Y1160A

Rack mount kit for L4400 series instruments-racks 2 instruments side-by-side with sliding tray

For additional information please visit:

<http://www.agilent.com/find/L4437A>

Related Agilent literature

Data Sheets

5988-6302EN

Agilent VEE Pro

5989-1441EN

Agilent W1140A-TKT

T&M Toolkit 2.0 with

Test Automation

5989-1439EN

Agilent E2094N

I/O Libraries Suite 14

Agilent Technologies' Test and Measurement Support, Services, and Assistance

Agilent Technologies aims to maximize the value you receive, while minimizing your risk and problems. We strive to ensure that you get the test and measurement capabilities you paid for and obtain the support you need. Our extensive support resources and services can help you choose the right Agilent products for your applications and apply them successfully. Every instrument and system we sell has a global warranty. Two concepts underlie Agilent's overall support policy: "Our Promise" and "Your Advantage."

Our Promise

Our Promise means your Agilent test and measurement equipment will meet its advertised performance and functionality. When you are choosing new equipment, we will help you with product information, including realistic performance specifications and practical recommendations from experienced test engineers. When you receive your new Agilent equipment, we can help verify that it works properly and help with initial product operation.

Your Advantage

Your Advantage means that Agilent offers a wide range of additional expert test and measurement services, which you can purchase according to your unique technical and business needs. Solve problems efficiently and gain a competitive edge by contracting with us for calibration, extra-cost upgrades, out-of-warranty repairs, and on-site education and training, as well as design, system integration, project management, and other professional engineering services. Experienced Agilent engineers and technicians worldwide can help you maximize your productivity, optimize the return on investment of your Agilent instruments and systems, and obtain dependable measurement accuracy for the life of those products.



Agilent Email Updates

www.agilent.com/find/emailupdates

Get the latest information on the products and applications you select.



Agilent Direct

www.agilent.com/find/agilentdirect

Quickly choose and use your test equipment solutions with confidence.



Agilent Open

www.agilent.com/find/open

Agilent Open simplifies the process of connecting and programming test systems to help engineers design, validate and manufacture electronic products. Agilent offers open connectivity for a broad range of system-ready instruments, open industry software, PC-standard I/O and global support, which are combined to more easily integrate test system development.

www.agilent.com

For more information on Agilent Technologies' products, applications or services, please contact your local Agilent office. The complete list is available at:

www.agilent.com/find/contactus

Phone or Fax

United States:

(tel) 800 829 4444
(fax) 800 829 4433

Canada:

(tel) 877 894 4414
(fax) 800 746 4866

China:

(tel) 800 810 0189
(fax) 800 820 2816

Europe:

(tel) 31 20 547 2111

Japan:

(tel) (81) 426 56 7832
(fax) (81) 426 56 7840

Korea:

(tel) (080) 769 0800
(fax) (080) 769 0900

Latin America:

(tel) (305) 269 7500

Taiwan:

(tel) 0800 047 866
(fax) 0800 286 331

Other Asia Pacific Countries:

(tel) (65) 6375 8100
(fax) (65) 6755 0042

Email: tm_ap@agilent.com

Contacts revised: 09/26/05

Product specifications and descriptions in this document subject to change without notice.

Microsoft® and Windows® are U.S. registered trademarks of Microsoft® Corporation

LabVIEW™ is a U.S. registered trademark of National Instruments Corporation

© Agilent Technologies, Inc. 2006

Printed in the USA, February 28, 2006

5989-4827EN



Agilent Technologies