

This literature was published years prior to the establishment of Agilent Technologies as a company independent from Hewlett-Packard and describes products or services now available through Agilent. It may also refer to products/services no longer supported by Agilent. We regret any inconvenience caused by obsolete information. For the latest information on Agilent's test and measurement products go to:

[www.agilent.com/find/products](http://www.agilent.com/find/products)

Or in the U.S., call Agilent Technologies at 1-800-452-4844 (8am-8pm EST)



**Agilent Technologies**

Innovating the HP Way



# mm-Wave Waveguide Isolator

HP Models  
R365A

26.5 - 40.0 GHz

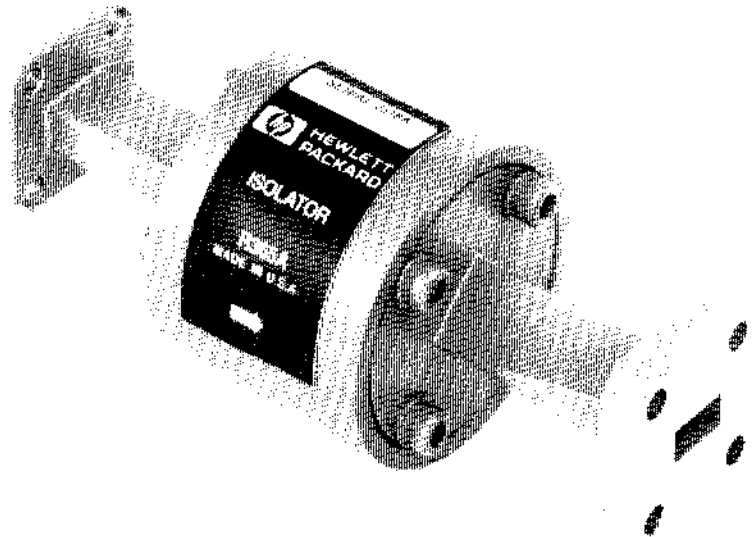
TECHNICAL DATA • APRIL 1986

## NEW PERFORMANCE STANDARDS FOR mm-WAVE MEASUREMENTS

**I**solators are important measurement accessories for isolating reflections and reducing mismatch.

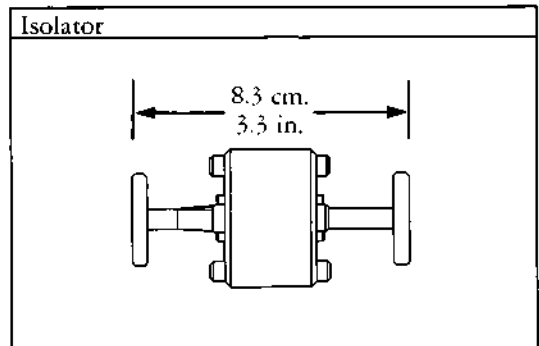
HP's R365A Isolator is an ideal measurement isolator. In a measurement, its high, broadband isolation (better than 25 dB) minimizes the reflection effects of a source. Its low SWR and low insertion loss help to improve mismatch inaccuracy without the attenuation of matching pads.

The HP R365A uses a Faraday-rotation design. It consists of a section of waveguide containing low-loss ferrite material and impedance matching elements. A permanent magnet supplies the external magnetic bias field to the ferrite core.



## SPECIFICATIONS

HP Model #	R365A
Frequency Range (GHz)	26.5-40.0
Insertion Loss (dB, max.)	1.5
Isolation (dB, min.)	25
SWR (max.)	1.4
Maximum Input Power (W, avg.)	1.5
Fits Waveguide Size:	
EIA	WR-28
MIL-W-3922/x-xxx	3-006
Equivalent Flange:	
MIL-F-85/xx-xxx	54-003 <del>67B-003</del>
UG-xxx/U	599
Dimensions:	
(See outline drawing at right)	
Net Weight:	
gm.	125
lb.	.28



For more information, call your local HP sales office listed in the telephone directory white pages. Ask for the Electronic Instruments Department. Or write to Hewlett-Packard: U.S.A. - 10301, Palo Alto, CA 94303-0890. Europe - P. O. Box 999, 1180 Amstelveen, the Netherlands. Canada - 6877 Goreway Drive, Mississauga, L4V 1M8, Ontario. Japan - Hewlett-Packard Ltd. 3-29-21, Takaido-Higashio, Suginami-ku, Tokyo 168. Elsewhere in the world, write to Hewlett-Packard Intercontinental, 3495 Deer Creek Road, Palo Alto, CA 94303-0890.

5954-6375

Data Subject to Change.

Printed in U.S.A.