

Agilent E1343A 16-Channel GP High-Voltage Relay Multiplexer

Data Sheet

- 1-Slot, B-size, register based
- General purpose, high-voltage relay multiplexer
- High-voltage measurements up to 250 V
- 16-channel 3-wire or 8-channel 4-wire multiplexer
- Shunt/series signal conditioning elements
- Channel scanning with Agilent DMMs

Configuration

The multiplexer is arranged into two banks of eight switches, each having its own common high, low, and guard screw terminals accessible on the terminal block. Tree-switched common high, low, and guard screw terminals and analog bus connections provide access to all 16 channels. Closing the channel switches and tree switches using the SCPI command [ROUTE:]CLOSE operates the module as either a single 1x16 three-wire multiplexer, two independent 1x8 three-wire multiplexers (for four-wire Ω), or a 1x8 six-wire multiplexer. The E1343A component card is also used in the E1344A.

One analog bus cable is shipped with each module, making it easy to connect common outputs together for slot-adjacent modules. If you are using a B-size mainframe, Agilent E1300B or E1301B, use the analog bus cable shipped with the E1326B DMM to connect it to the multiplexer(s).

C-size Adapter

For installing the E1343A in a C-size mainframe, the E1403C active adapter is recommended.

Product Specifications

Input

DC:

Maximum voltage (any terminal to any other terminal or chassis): 250 Vdc

AC rms:

Maximum voltage (any terminal to any other terminal or chassis): 250 V rms

Maximum current (per channel common, non-inductive): 50 mA

Maximum power per channel: 1 VA

DC

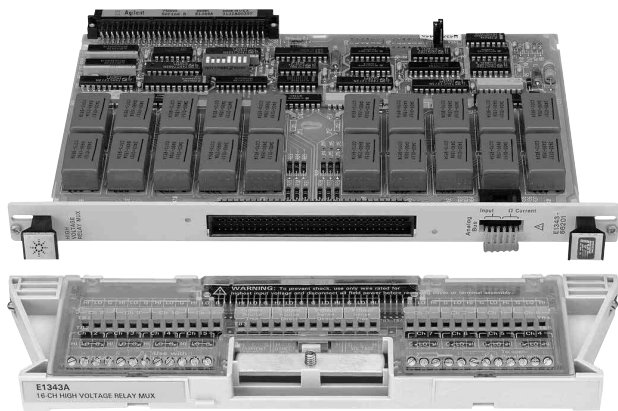
Maximum thermal offset per channel, differential

Hi-Lo: 10 μ V

Closed channel resistance: 100 $\Omega \pm 10\%$

Insulation resistance (between any two points): 10E9 Ω

Insulation resistance (Hi to Lo, power off): n/a



Agilent E1343A

Description

The Agilent E1343A General-Purpose Reed Relay Multiplexer is a **B-size, 1-slot, register-based Agilent VXI module with high-voltage capability**. It switches 16 channels of high, low, and guard each. This multiplexer consists of a B-size component card (labeled E1343-66201) and a screw terminal block that plugs onto the component card. The E1343A is functionally similar to the E1344A.

Tree-switched common high, low, and guard screw terminals and analog bus connections provide access to all 16 channels. This module can operate as either a single 1x16 three-wire multiplexer, two independent 1x8 three-wire multiplexers (for four-wire Ω), or a 1x8 six-wire multiplexer.

Refer to the Agilent Technologies Website for instrument driver availability and downloading instructions, as well as for recent product updates, if applicable.

AC

Minimum bandwidth (-3 dB, 50 Ω source/load):	10 MHz (protection resistors shorted)
Crosstalk (channel-to-channel):	
100 kHz:	-80 dB
10 MHz:	-40 dB
Both:	n/a
Closed channel capacitance:	<150 pF Hi-Lo, <150 pF Lo-Guard, <2000 pF Guard-Chassis

General Characteristics

Relays:	Reed relays Break-before-make
Power down state:	Relays open on power down
Power up state:	Relays open on power up
Minimum relay life:	
No load:	10E8 operations
Rated load:	10E7 operations
Screw terminal wire size:	16 to 26 AWG (1.5, 1.2, 0.9, 0.75, 0.5 mm)
Scanning rate:	350 channels/s typ.

VXI Characteristics

VXI device type:	Register based, A16, slave only
Size:	B
Slots:	1
Connectors:	P1
Shared memory:	None
VXI busses:	None
C-size compatibility:	Requires E1403C

Instrument Drivers

See the Agilent Technologies Website (http://www.agilent.com/find/inst_drivers) for driver availability and downloading.

Command module firmware:	Downloadable
Command module firmware rev:	A.06
I-SCPI Win 3.1:	Yes
I-SCPI Series 700:	Yes
C-SCPI LynxOS:	Yes
C-SCPI Series 700:	Yes
Panel Drivers:	Yes
VXIplug&play Win Framework:	Yes
VXIplug&play Win 95/NT Framework:	Yes
VXIplug&play HP-UX Framework:	No

Module Current

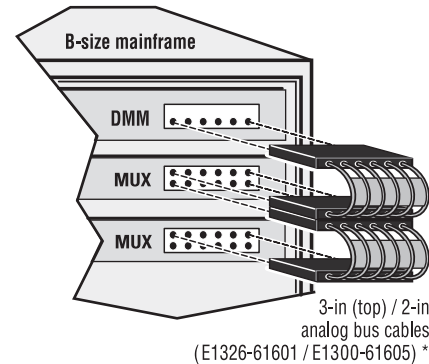
	I_{PM}	I_{DM}
+5 V:	0.2	0.01
+12 V:	0.13	0.01
-12 V:	0	0
+24 V:	0	0
-24 V:	0	0
-5.2 V:	0	0
-2 V:	0	0

Cooling/Slot

Watts/slot:	1.00
ΔP mm H₂O:	0.02
Air Flow liter/s:	0.10

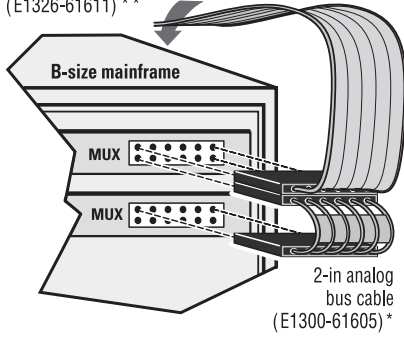
Ordering Information

Description	Product No.
16-Channel High Voltage Relay Multiplexer	E1343A
Service Manual	E1343A 0B3
E1343A Screw Terminal Module	E1343-80001



Analog bus cables for MUX-to-MUX and MUX-to-multimeter connections

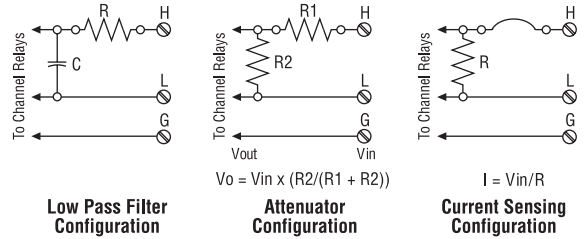
19.5-in analog bus cable to internal DMM
(E1326-61611) **



* DMM-to-MUX and MUX-to-MUX analog bus cables are provided with the purchase of the DMM and MUX modules respectively.

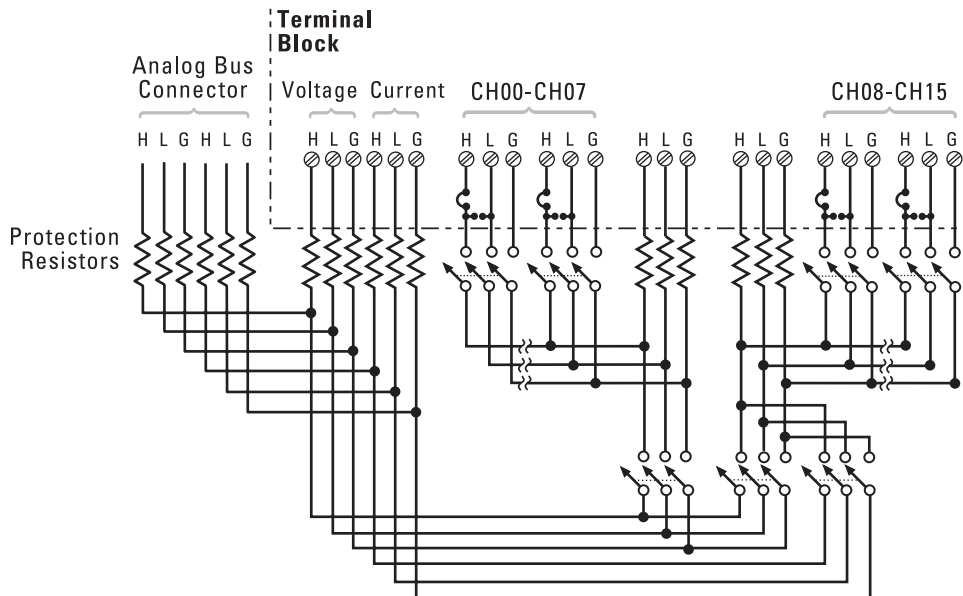
** 19.5-in analog bus cable is provided with purchase of E1300/01B Series B mainframe with internal DMM option.

Analog bus cables for MUX-to-MUX and MUX-to-multimeter connections



Signal Conditioning Components/Current Shunt

E1343A Circuit Diagram



Related Literature

2000 Test System and VXI Catalog CD-ROM,
Agilent Pub. No. 5980-0308E (detailed specifications for VXI products)

2000 Test System and VXI Catalog,
Agilent Pub. No. 5980-0307E (overview of VXI products)

1998 Test System and VXI Products Data Book,
Agilent Pub. No. 5966-2812E

Online

Internet access for Agilent product information, services and support
www.agilent.com/find/tmdir

VXI product information
www.agilent.com/find/vxi

Defense Electronics Applications
www.agilent.com/find/defense_ATE

Agilent Technologies VXI Channel Partners
www.agilent.com/find/vxichanpart

Agilent Technologies' HP VEE Application Website
www.agilent.com/find/vee

Agilent Technologies Data Acquisition and Control Website
www.agilent.com/find/data_acq

Agilent Technologies Instrument Driver Downloads
www.agilent.com/find/inst_drivers

Agilent Technologies Electronics Manufacturing Test Solutions
www.agilent.com/go/manufacturing

Get assistance with all your test and measurement needs at
www.agilent.com/find/assist
or check your local phone book for the Agilent office
near you.

Agilent Technologies' test and measurement service/support commitment

Agilent strives to maximize the value our test and measurement products give you, while minimizing your risk and service/support problems. We work to ensure that each product is realistically described in the literature, meets its stated performance and functionality, has a clearly stated global warranty, and is supported at least five years beyond its production life. Our extensive self-help tools include many online resources (www.agilent.com).

Experienced Agilent test engineers throughout the world offer practical recommendations for product evaluation and selection. After you purchase an Agilent product, they can provide no-charge assistance with operation verification and basic measurement setups for advertised capabilities. To enhance the features, performance, and flexibility of your test and measurement products—and to help you solve application challenges—Agilent offers free or extra-cost product options and upgrades, and sell expert engineering, calibration, and other consulting services.

Phone or Fax

United States:
(tel) 1 800 829 4444

Canada:
(tel) 1 877 894 4414
(fax) (905) 282 6495

China:
(tel) 800 810 0189
(fax) 800 820 2816

Europe:
(tel) (31 20) 547 2323
(fax) (31 20) 547 2390

Japan:
(tel) (81) 426 56 7832
(fax) (81) 426 56 7840

Korea:
(tel) (82 2) 2004 5004
(fax) (82 2) 2004 5115

Latin America:
(tel) (305) 269 7500
(fax) (305) 269 7599

Taiwan:
(tel) 0800 047 866
(fax) 0800 286 331

Other Asia Pacific Countries:
(tel) (65) 6375 8100
(fax) (65) 6836 0252
(e-mail) tm_asia@agilent.com

Data Subject to Change
© Agilent Technologies, Inc. 2000
Printed in the U.S.A. May 1, 2004
5965-5599E