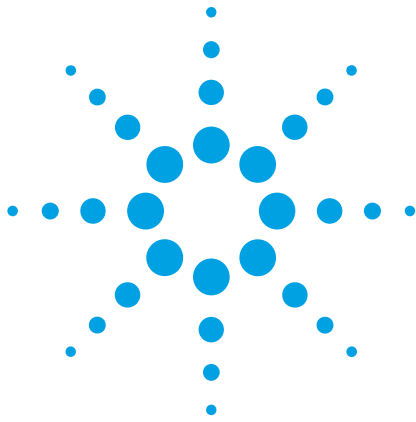


# Agilent E1432A, E1433B, E1434A VXI Digitizers/Source

## Product Overview



**A high-performance system architecture for demanding mechanical, acoustic and electrical data acquisition applications.**

- **Agilent E1432A**  
16-channel 51.2 kSa/sec/chan Digitizer plus DSP
- **Agilent E1433B**  
8-channel 196 kSa/sec/chan Digitizer plus DSP
- **Agilent E1434A**  
4-channel 65 kSa/sec/chan Arbitrary Source



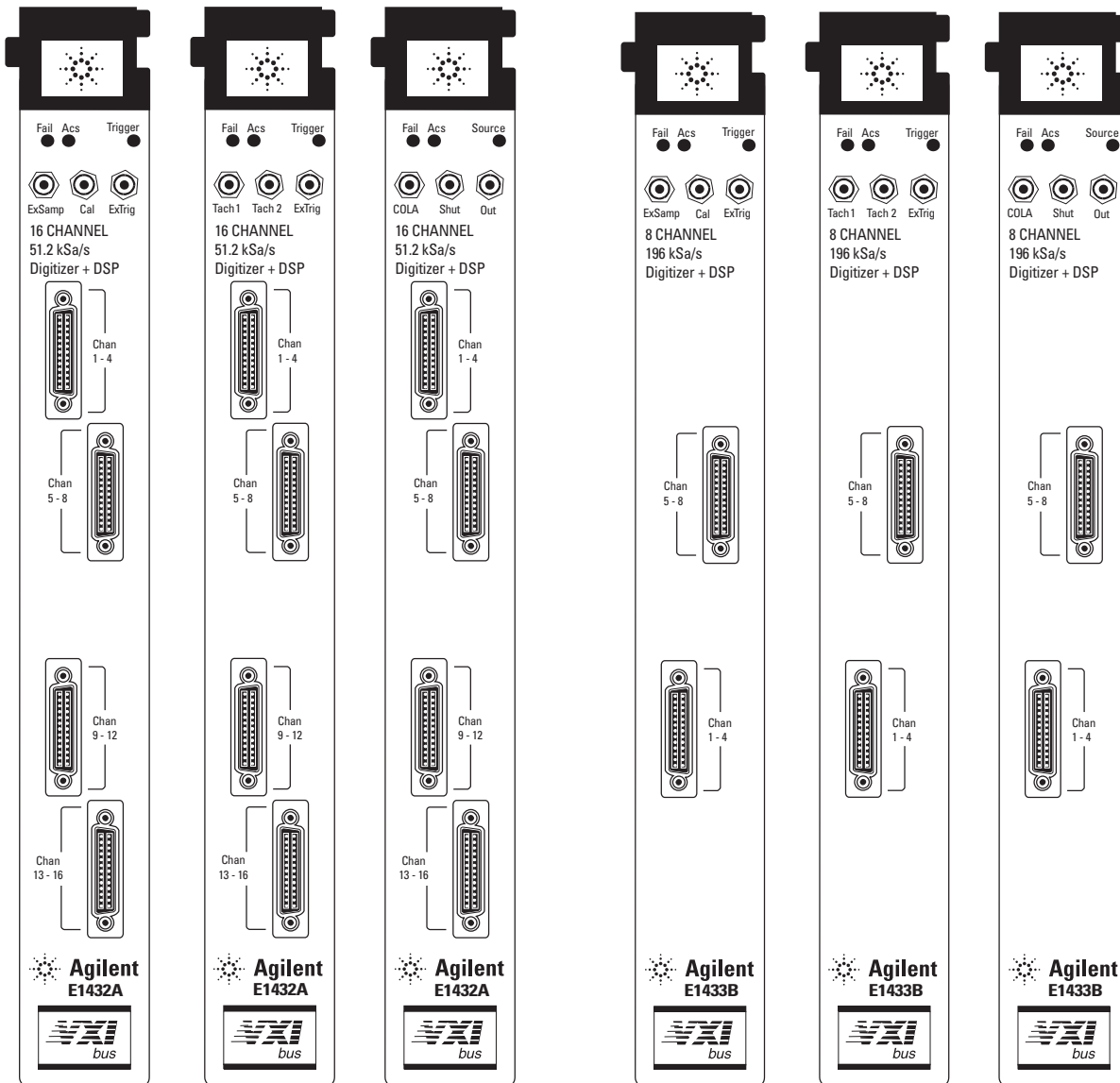
**Agilent Technologies**

Innovating the HP Way

# Agilent E1432A and E1433B Digitizer plus DSP

The Agilent E1432A 16-Channel  
51.2 kSa/Sec/Chan digitizer  
and E1433B 8-channel  
196 kSa/Sec/Chan digitizer  
integrate transducer signal  
conditioning, anti-alias protection,

digitization, and high-speed  
measurement computation in a  
single-wide VXI module. Onboard  
digital signal processing and  
32 Mbytes of RAM maximizes  
total system performance and  
simplifies system integration.



Agilent E1432A

Agilent E1432A  
with Tachometer  
Option AYF

Agilent E1432A  
with Arbitrary  
Source  
Option 1D4

Agilent E1433B

Agilent E1433B  
with Tachometer  
Option AYF

Agilent E1433B  
with Arbitrary  
Source  
Option 1D4

Onboard computation of measurement results, fast data transfer to the host computer, and a dedicated high-speed data bus for module-to-module communication provide a high-performance measurement architecture for demanding mechanical, acoustic, and electrical test applications.

### **Parallel Processing Architecture**

Multi-channel systems generate large amounts of data fast. This can overwhelm a host computer's data busses and computational capabilities. A parallel processing architecture increases performance by distributing computations over multiple processors, all performing their computations simultaneously (see figures 1 through 4 for the block diagrams of both the E1432A and E1433B digitizers).

The E1432A and E1433B both use a floating point DSP processor to compute measurement results in the module. Computing measurement results onboard the E1432A and E1433B offloads computations from the host computer, preventing it from being a system performance bottleneck. This is especially important for large systems with many channels.

Adding more E1432A and E1433B digitizers to a system adds more

DSP processing capability, maintaining system performance even for extremely large systems. For example, an 80-channel E1433B-based system has 10 floating point processors computing measurement results in parallel. This provides a level of performance unattainable in systems that rely on the host computer alone to compute measurement results.

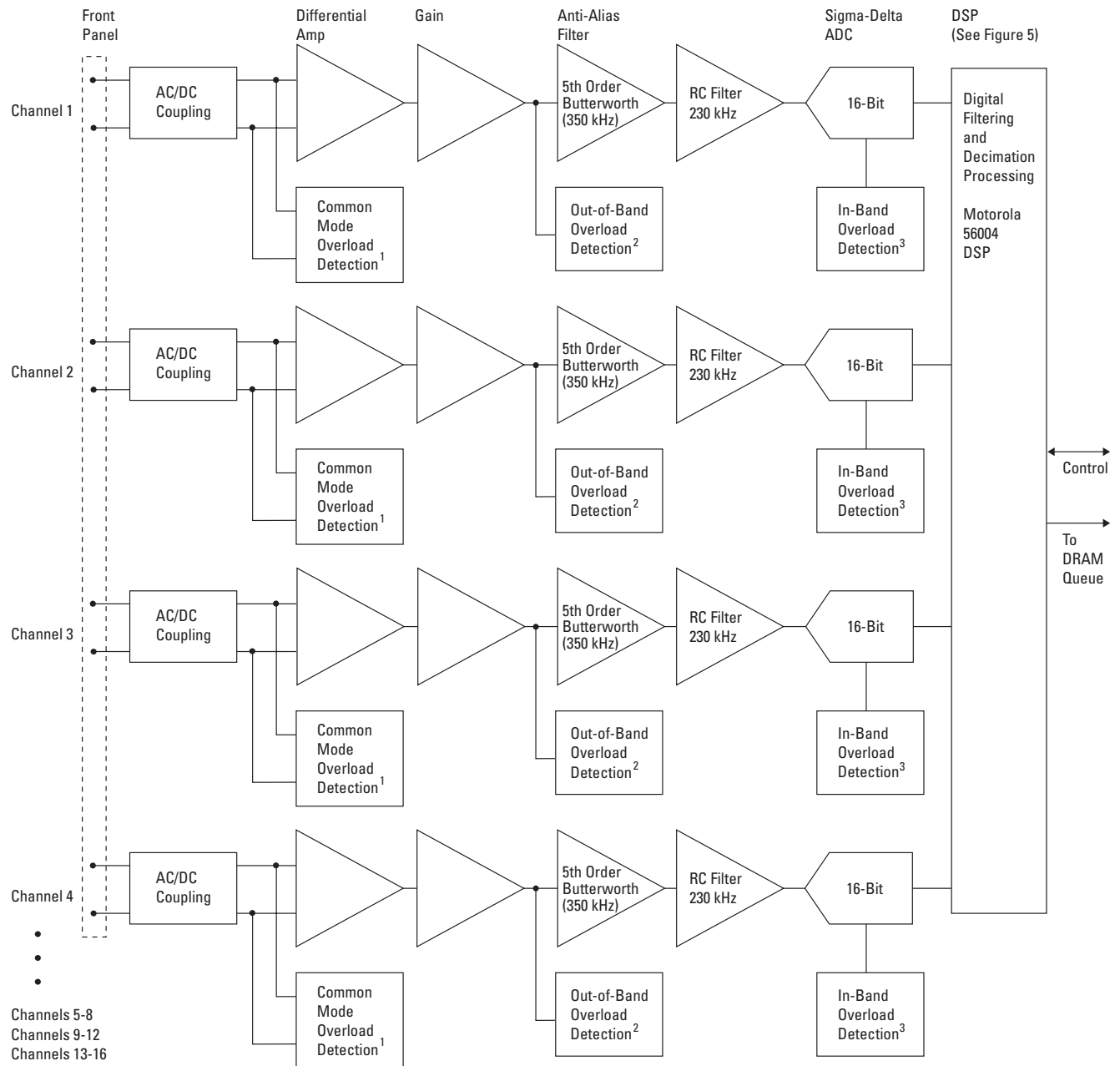
### **Move Data Fast**

Once digitized data is processed, it must be moved to the host computer for display or further computations. The E1432A and E1433B provide very high data transfer rates to the host computer over the VXI bus so host computers can display information in real time. And, since the E1432A and E1433B can unload their information quickly, the VXI bus is not tied up, allowing other modules access to it.

### **Dedicated High-Speed Local Bus**

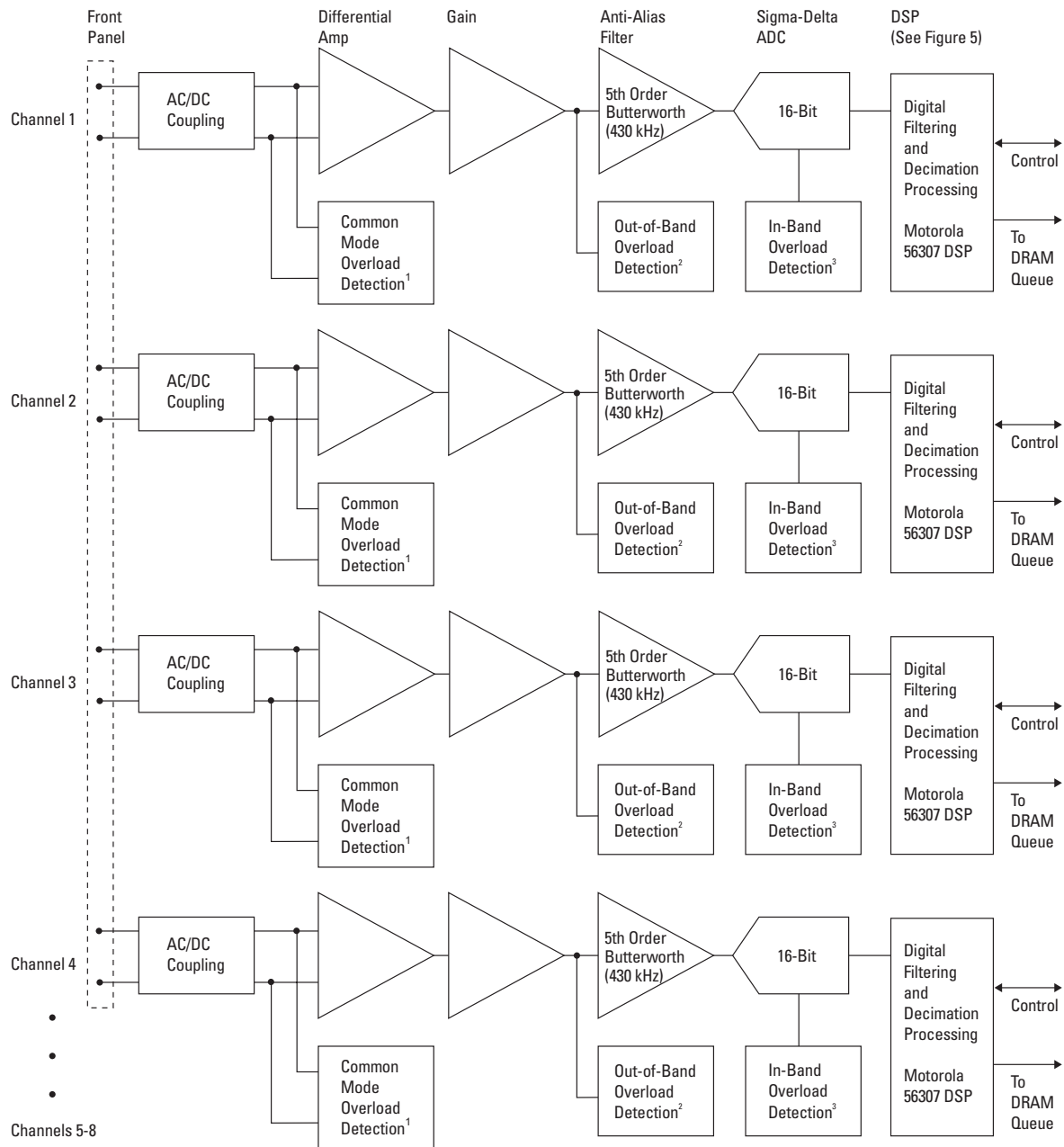
Applications such as throughput to disk require exceptionally high continuous data transfer rates to other VXI modules. VXI provides a dedicated "local bus" for such transfers. Since the local bus is dedicated to data only, its performance is unaffected by transfers between the host computer and other VXI modules. The E1432A can achieve a continuous (gapless) transfer of data over the local bus to an E1562E 8 GB SCSI data disk at >7.5 Msamples/sec (15 Mbytes/sec). Higher rates are achieved with multiple data disks. (See High Speed Data Capture section of this document.)

**Figure 1:**  
**Agilent E1432A**  
**4-Channel Digitizer**  
**Block Diagram**



- 1 Detects common mode overloads in differential amplifier.
- 2 Detects signals which are more than 5 dB above selected input full scale range at all frequencies up to the MHz range.
- 3 Detects a full scale overload for signals within the pass band.

**Figure 2:**  
**Agilent E1433B**  
**4-Channel Digitizer**  
**Block Diagram**

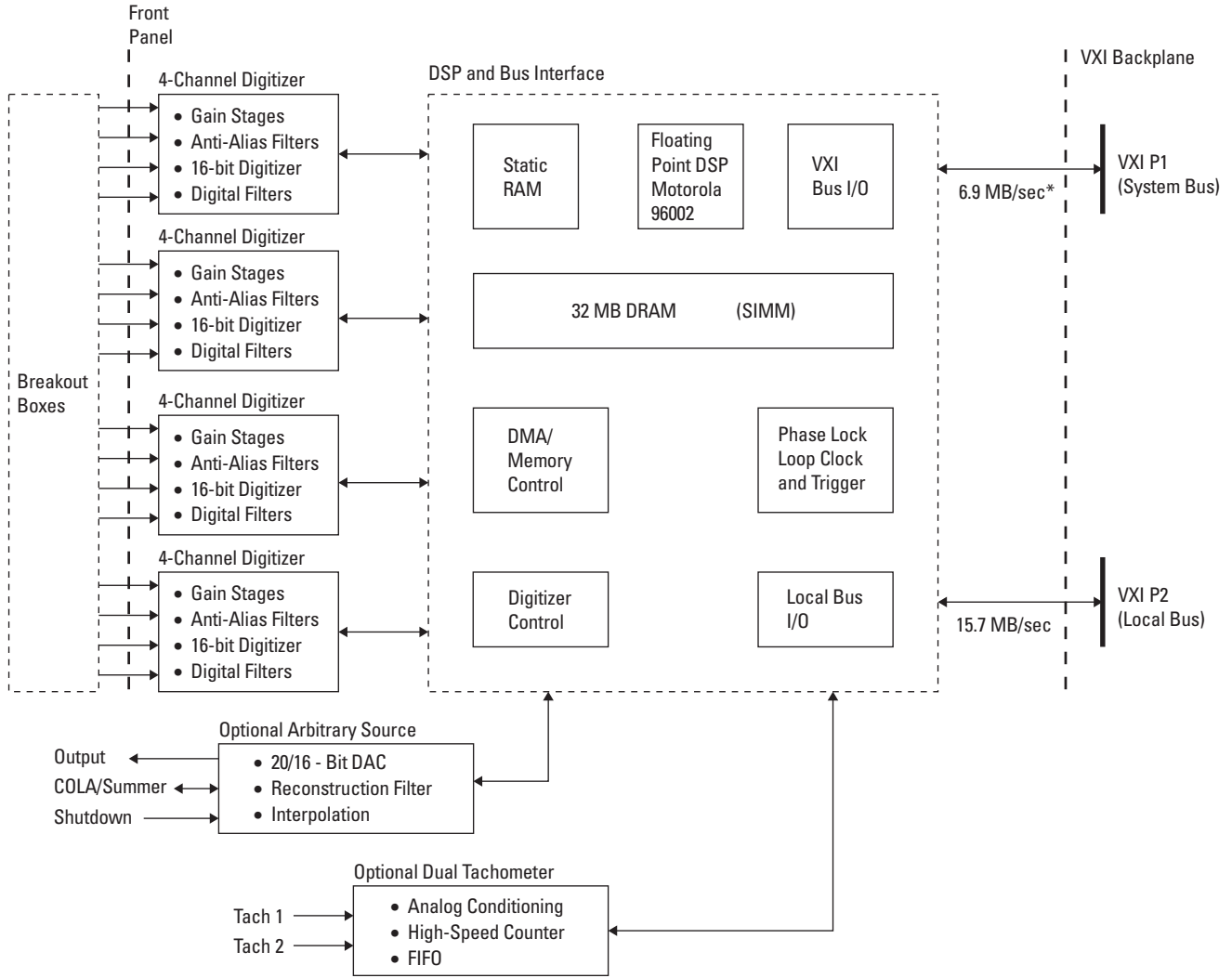


1 Detects common mode overloads in differential amplifier.

2 Detects signals which are more than 5 dB above selected input full scale range at all frequencies up to the MHz range.

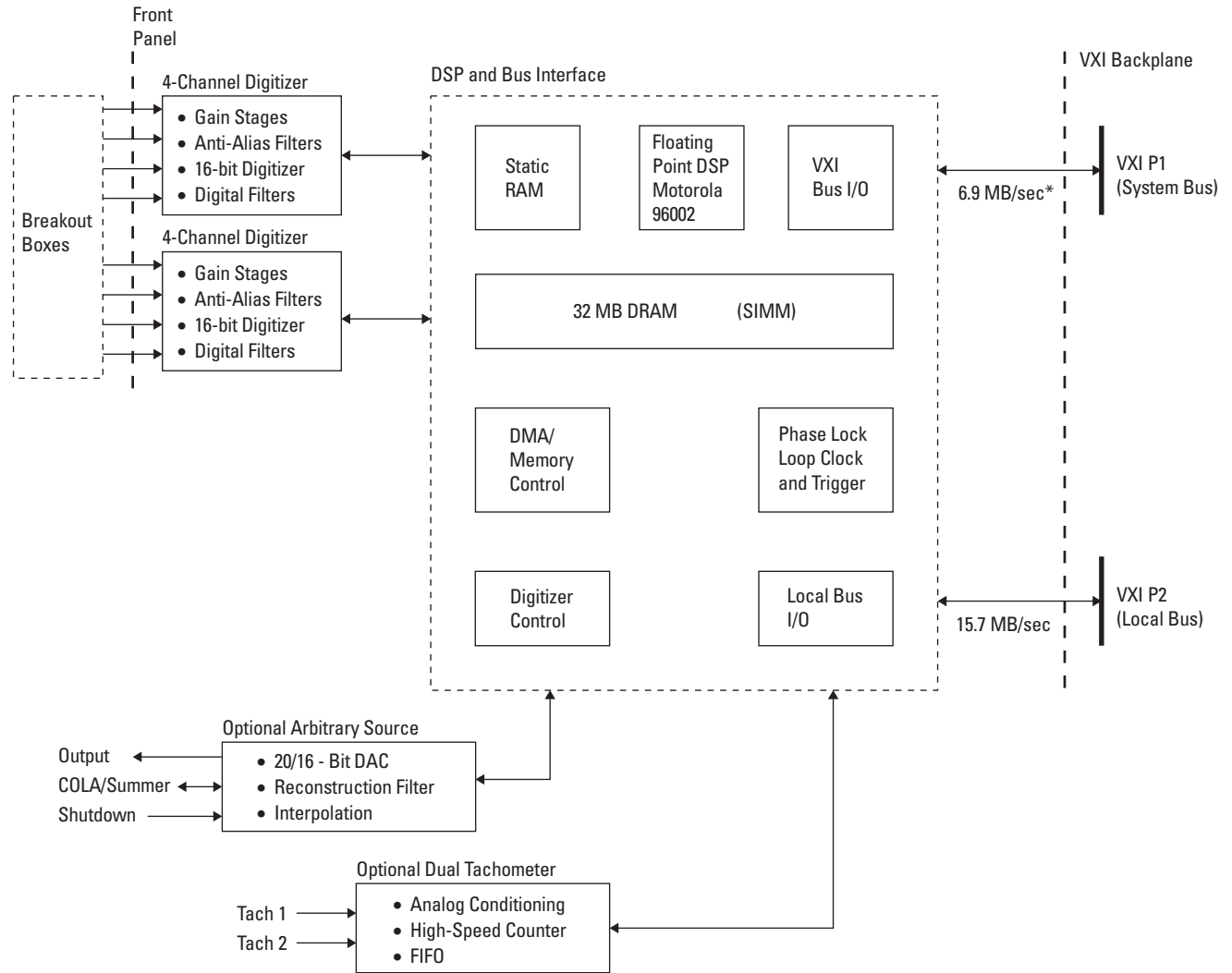
3 Detects a full scale overload for signals within the pass band.

**Figure 3:**  
**Agilent E1432A**  
**Block Diagram**



\* 6.9 MBytes/sec represents the transfer rate over the VME bus when sending the 16 bit integer samples from the ADC to the host. A more typical transfer mechanism would be using the readFloat64Data which stores the data in the host as 64 bit floating point values. In this case the transfer rate is 27.6 MB/sec considering the 64 bit format as stored in the host.

**Figure 4:**  
**Agilent E1433B**  
**Block Diagram**



\* 6.9 MBytes/sec represents the transfer rate over the VME bus when sending the 16 bit integer samples from the ADC to the host. A more typical transfer mechanism would be using the readFloat64Data which stores the data in the host as 64 bit floating point values. In this case the transfer rate is 27.6 MB/sec considering the 64 bit format as stored in the host.

# Agilent E1432A and E1433B Hardware Architecture

The E1432A and E1433B provide transducer signal conditioning, anti-alias filtering, digitization, and measurement computation in a single module. System software development is easier because you just set up one module. And, even more importantly, you don't have compatibility issues between separate signal conditioning, filter, digitizer, and DSP modules. The specifications of the entire measurement channel are predictable. In fact, they're guaranteed.

## Signal Conditioning Breakout Boxes

The E1432A and E1433B use external breakout boxes to interface to voltage, Integrated Electronics Piezo Electric (IEPE) transducers, microphones, and piezoelectric charge transducers — the most common transducers used in mechanical, acoustic, and electrical test. Four different breakout boxes let you configure your system any way you want. All breakout boxes, from the most economical voltage input breakout box to models that support three kinds of transducers, can be used with either the E1432A or E1433B. Different types can be mixed together on a single digitizer module. (See figures 5-8.)

## Independent Input Channels

Each channel of an E1432A or E1433B has independent settings for:

- Range
- Differential/Single Ended
- AC/DC coupling

The E1433B is the higher-performance model of the two digitizers. It supports lower full-scale input ranges, higher sample rates and bandwidths, has extra features, and has tighter specifications than the more economical E1432A.

## Agilent E1433B Programmable Highpass Filters

Sometimes low-frequency noise components are larger than the signal you want to measure. Analog filters can remove the signal so you can reduce the channel's full-scale range, maximizing dynamic range. But analog filters have poor channel-to-channel phase matching due to component tolerances and component drift over time and temperature.

Digital filters, on the other hand, have great channel-to-channel phase matching but, since they only filter the data after it has been digitized, they don't allow you to reduce the input range to increase dynamic range. The E1433B uses a novel programmable 12 dB/octave highpass filter that provides the benefits of both analog and digital filters. By implementing the highpass filter digitally, but using a DAC to implement an actual analog summing at the input, the E1433B achieves the best of both technologies.

Acoustic intensity measurements are an application where tight channel-to-channel phase match is critical. In applications such as wind tunnel acoustic measurements, the E1433B removes low-frequency noise but still provides excellent channel-to-channel phase matching.

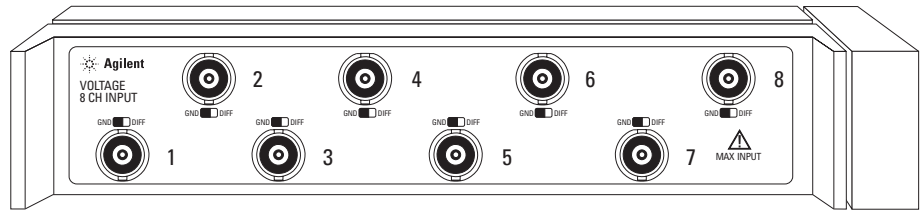
## Simultaneous-Sampling Sigma-Delta ADCs

The E1432A and E1433B use an ADC per channel to avoid timing errors that often occur when a single ADC is multiplexed between multiple channels. Simultaneous sampling guarantees accurate channel-to-channel comparisons, both in the time and frequency domains. The E1432A and E1433B's sigma-delta ADCs use 64X over-sampling, allowing low-order analog anti-alias filters. Since the anti-alias filters corner frequencies are far above the channel's passband, the analog filters don't degrade performance in the passband.

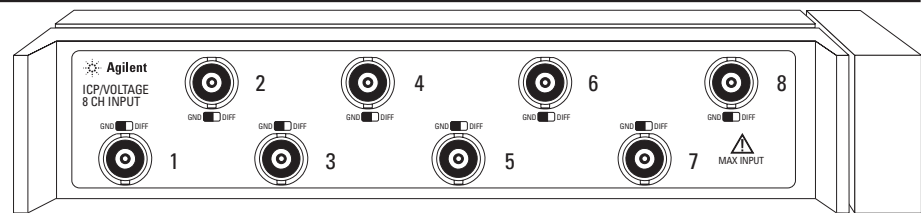
## Programmable Digital Anti-Alias Filters

Sigma-Delta ADC's by themselves have reduced aliasing protection as the sample rate is lowered. Aliased frequency products degrade measurement accuracy. Without good anti-alias filters, you can't trust your data. All filtering and sample-rate conversion in the E1432A and E1433B are done digitally, providing stable, drift-free filtering. For lower sample rates ( $f_s$ ) the E1432A and E1433B use the on-board DSP to provide additional aliasing protection via digital filtering. This provides flat passbands and guaranteed -90 dB alias rejection down to very low sample rates — 6.25 Hz for the 1432A and 0.1464 Hz for the E1433B. See Figures 9 and 10 for the available sample rates and digital filter frequencies.

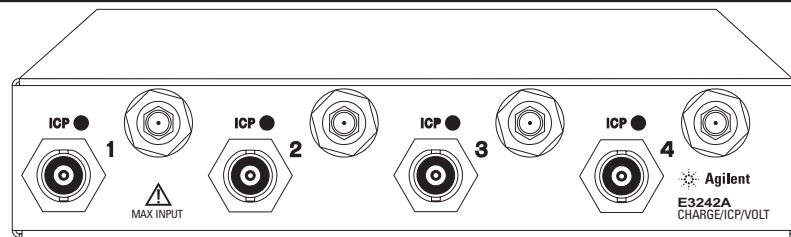
**Figure 5:**  
**Agilent E3240A 8-Channel Voltage Breakout Box**  
 The E3240A is the most economical breakout box providing eight BNC connectors for interfacing to voltage signals.



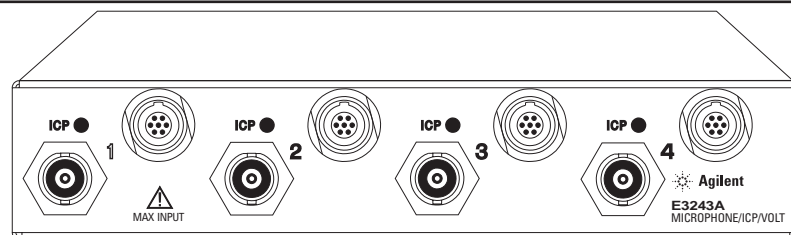
**Figure 6:**  
**Agilent E3241A 8-Channel Voltage/Breakout Box with IEPE Power Supply**  
 The E3241A is identical to the E3240A with the addition of a software-switchable IEPE power supply.



**Figure 7:**  
**Agilent E3242A 4-Channel Charge/Voltage Breakout Box**  
 The E3242A provides a charge amplifier for signal conditioning of piezoelectric transducers which are typical of many accelerometers. The E3242A also provides a voltage and an IEPE power supply.

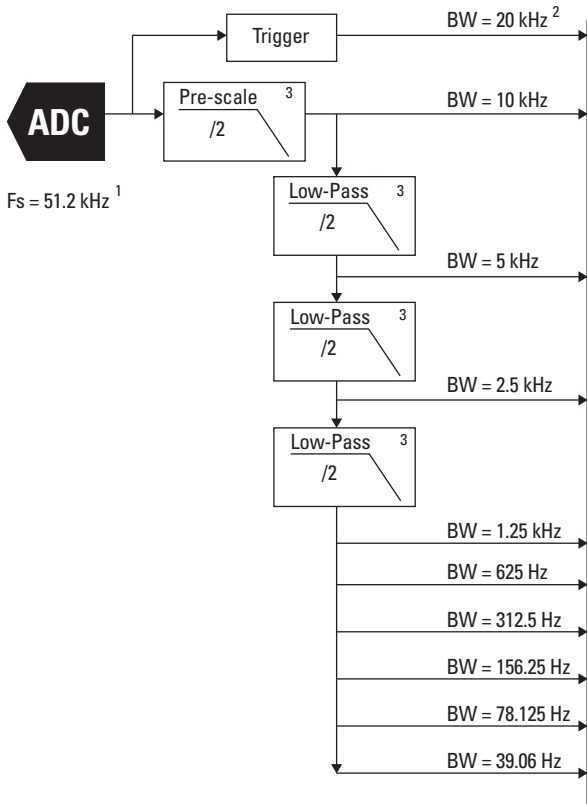


**Figure 8:**  
**Agilent E3243A 4-Channel Microphone/Voltage Breakout Box**  
 For acoustic applications, the E3243A provides signal conditioning for microphones and also provides a voltage mode and an IEPE power supply.

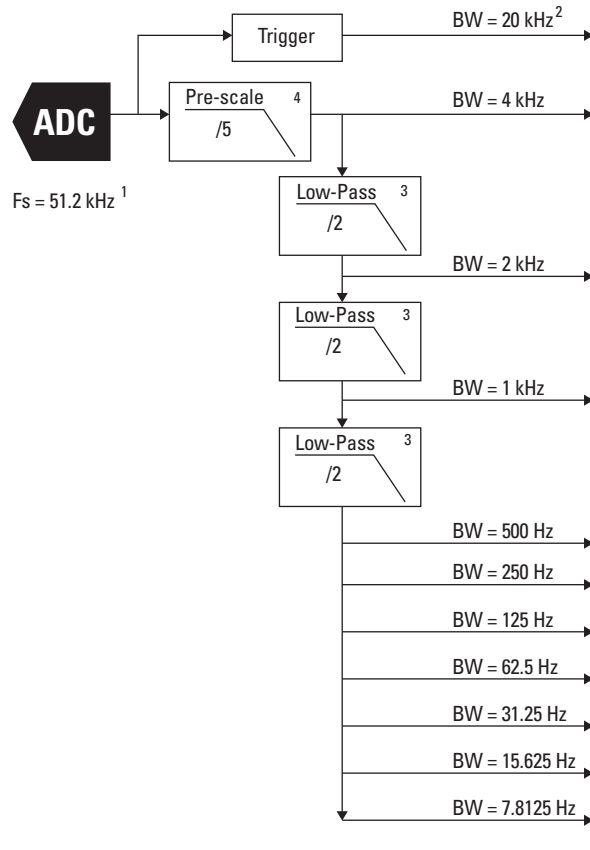


**Figure 9:**  
**Agilent E1432A**  
**Digital Filtering**  
**and Decimation Processing**

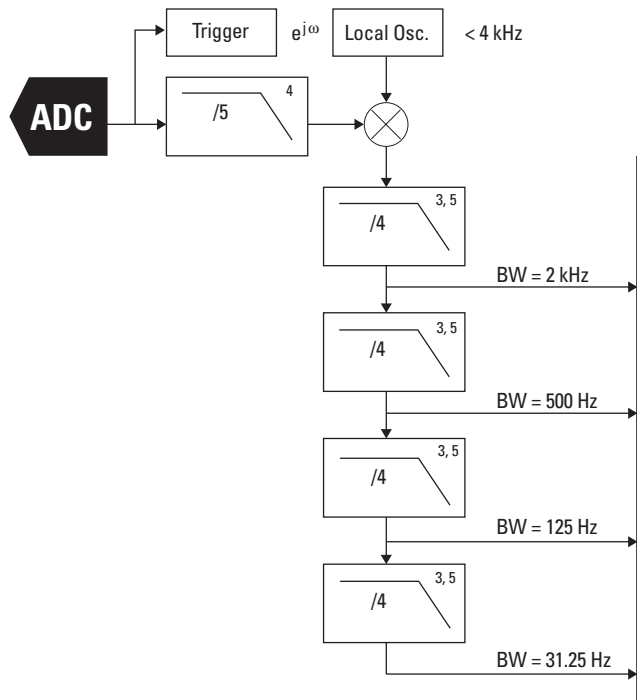
**9 Decimate-by-2 Filter Stages**



— or — **Decimate-by-5 with 9 Decimate by 2 Filter Stages**



**Zoom Digital Filtering E1432A**



<sup>1</sup> Fs can be programmed to  
 51.2 kHz    40 kHz    32.000 kHz  
 50 kHz    40.96 kHz    31.250 kHz  
 49.152 kHz    39.0625 kHz    30.72 kHz  
 48 kHz    38.4 kHz    or 26.2 kHz  
 44.1221 kHz    33.333 kHz  
 41.938 kHz    32.786 kHz  
 If an external Fs is used, it must be a fixed frequency between 40.96 kHz and 102.4 kHz.

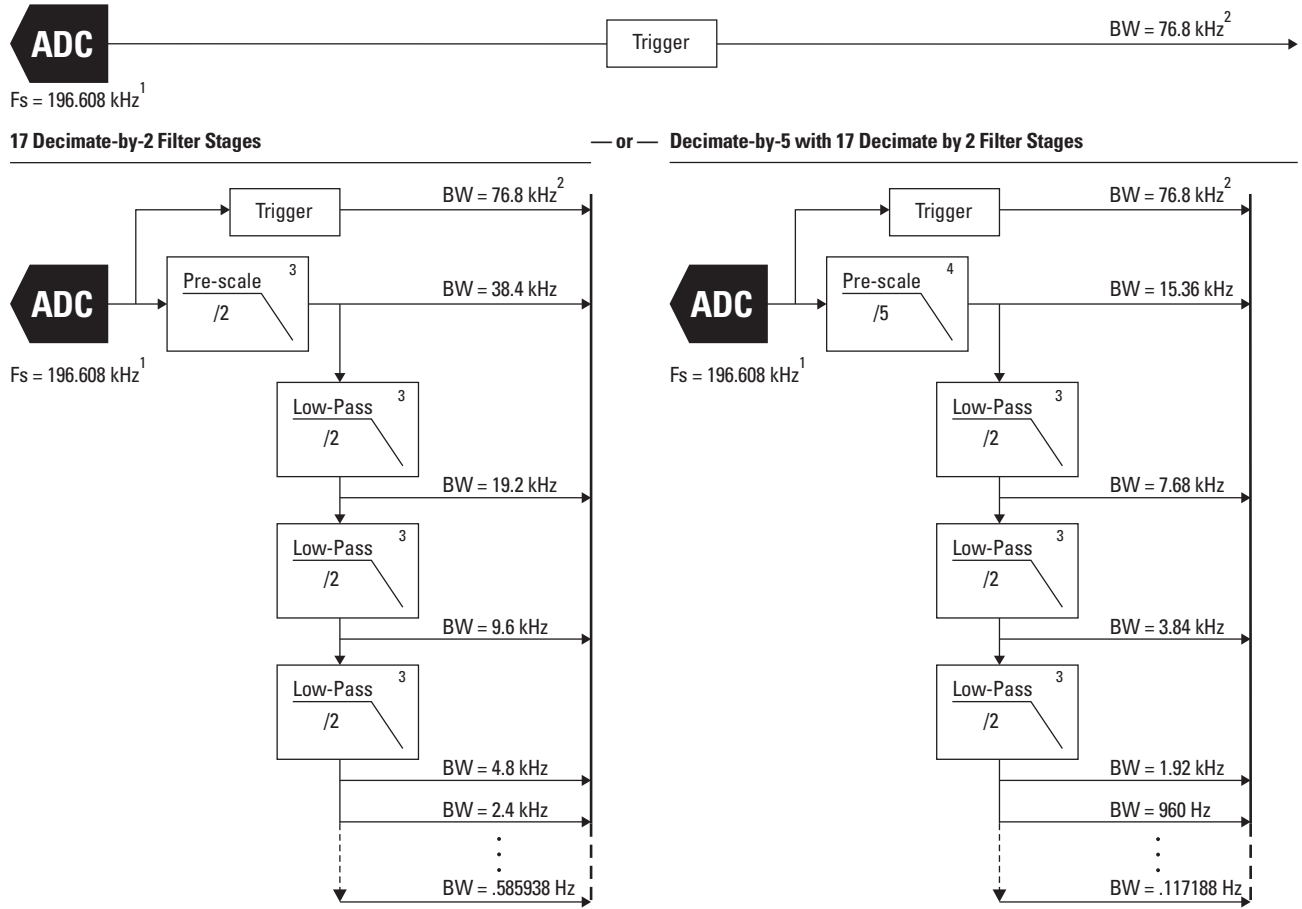
<sup>2</sup> 20 kHz represents 400 lines of 512-line spectrum. Before the first filter stage, 460 lines are actually accurate, giving 23 kHz maximum useable bandwidth.

<sup>3</sup> 8th order elliptic.

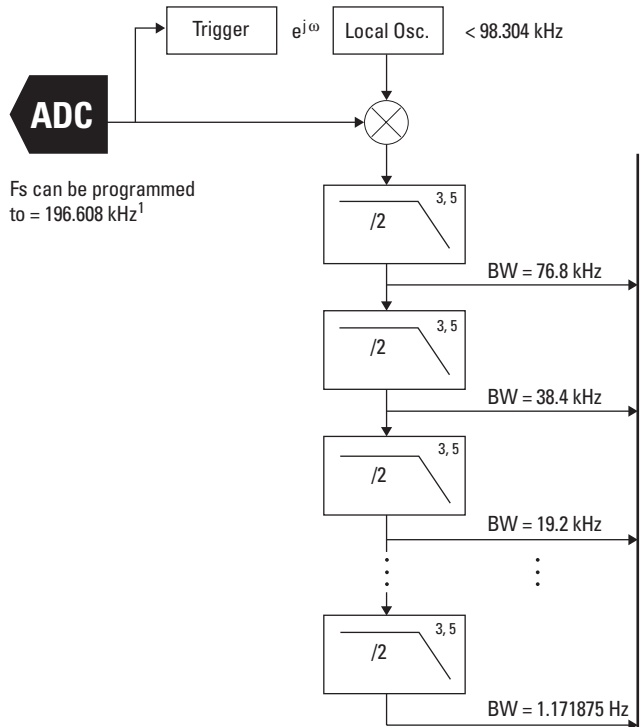
<sup>4</sup> 10th order elliptic.

<sup>5</sup> Filters complex data

**Figure 10:**  
**Agilent E1433B**  
**Digital Filtering**  
**and Decimation Processing**



**Zoom Digital Filtering E1433B**



- 1 Fs can be programmed to
- |             |            |              |
|-------------|------------|--------------|
| 196.608 kHz | 100.0 kHz  | 61.44 kHz    |
| 192.00 kHz  | 98.304 kHz | 52.4009 kHz  |
| 163.84 kHz  | 96.0 kHz   | 51.2 kHz     |
| 163.84 kHz  | 81.92 kHz  | 50.000 kHz   |
| 156.25 kHz  | 80.00 kHz  | 49.152 kHz   |
| 153.6 kHz   | 78.125 kHz | 48.000 kHz   |
| 133.333 kHz | 76.800 kHz | 44.1221 kHz  |
| 128.0 kHz   | 66.666 kHz | 41.9386 kHz  |
| 125.0 kHz   | 65.536 kHz | or 40.96 kHz |
| 122.88 kHz  | 64.0 kHz   |              |
| 102.4 kHz   | 62.5 kHz   |              |
- If an external Fs is used, it must be a fixed frequency between 40.96 kHz and 200 kHz.

2 78.6 kHz represents 400 lines of 512-line spectrum. Before the first filter stage, 460 lines are actually accurate, giving 88.32 kHz maximum useable bandwidth.

3 8th order elliptic.

4 10th order elliptic.

5 Filters complex data.

### **Zoom for More Detail with the Agilent E1432A/E1433B**

If you are only interested in the frequency range from 1000 to 2000 Hz, for example, why waste lines of resolution at other frequencies? Use zoom processing to put all frequency lines of the FFT in that range, focusing attention on the frequencies of interest.

Zoom spans available in the E1433B range from full span (a single factor of 2 decimation) to 16 factors of 2 decimation for all available sample rates. Center frequencies range from 0 to one half the sample rate.

### **Onboard RAM Buffers**

After data is digitized and filtered it is moved to circular RAM buffers, one buffer for each active channel. The buffers, combined with versatile pre- and post-triggering capabilities, make it easy to capture exactly the signal you want. To capture transients to onboard RAM, program the buffer size to the total number of samples you want to collect. Then set the amount of pre-trigger delay you want. Data will circulate through the buffers until the trigger occurs. The E1432A and E1433B will then freeze the pre-trigger information in the buffers and continue collecting data until the desired total amount of data has been collected.

If you want to continuously acquire data to the host computer, the buffers can interrupt the host when they are half full. The host can then unload the buffers without effecting the ongoing

data acquisition. Using these techniques, continuous data acquisition can proceed indefinitely. The only limitation is the rate at which data can be transferred to the host.

For very large acquisitions at very high rates, use the local bus to transfer data to an E1562E 8 Gbyte SCSI Data Disk at rates >15.7 Mbytes/sec. (See Agilent Publication 5965-6939E, and 5965-6938E.)

### **Onboard Measurements**

A floating point processor copies data from the RAM buffer to its SRAM buffers for measurement computations. By computing FFTs, power spectrums, and order ratio analysis, it offloads work from the host processor. (See figure 11 for the E1433B data flow diagram.) It also creates a parallel processing architecture, allowing simultaneous processing in the host computer and each E1432A and E1433B.

The modules can also compute multiple measurements. You can send to the host time data and the FFT of this data, or, send raw time data, resampled time data and order data all at the same time.

In the E1433B you can also compute the RMS and Peak values.

### **Two Highspeed Busses**

The floating point processor can move data to the host computer over the VXI bus, or to another VXI module over the local bus. Or do both simultaneously. This allows the E1432A and E1433B to capture time data over the local bus to an

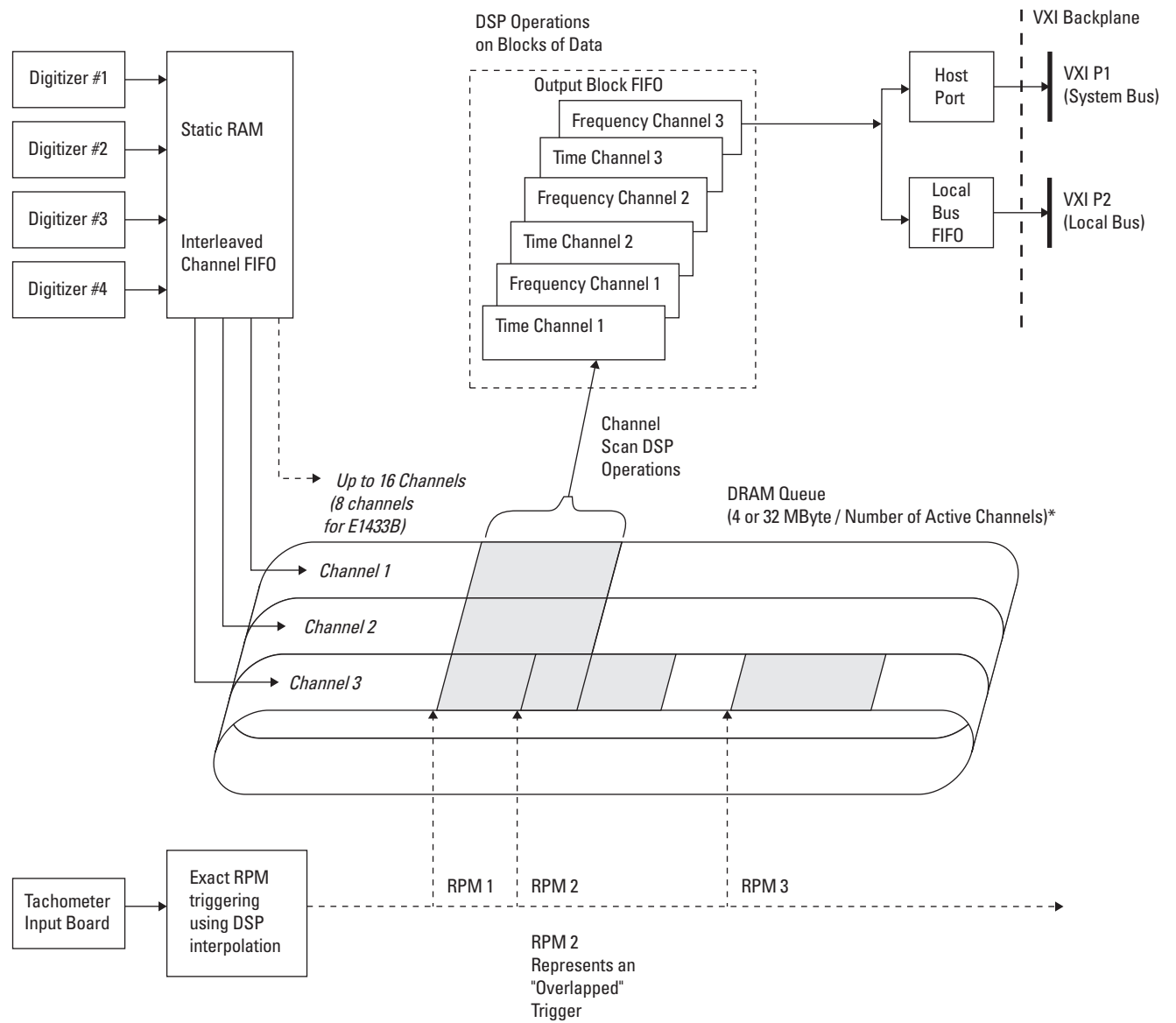
E1562D/E Data Disk while also sending this time data (and computed FFTs of the acquired data) to the host over the VXI bus for monitoring the throughput process.

### **Optional Tach and Source**

Two important options significantly enhance the E1432A and E1433B's capabilities. A tachometer (option AYF) input allows tight integration of tachometer information from rotating machinery with digitized data from the input channels. This provides the information the floating point processor needs to do RPM triggering of measurements, and order analysis measurements. (See Built-in Measurement section on page 14.) Since the tachometer is integrated with the digitizer, no host involvement is required for this functionality.

Instead of the tachometer you can add an optional 16-bit arbitrary source (option 1D4). Its sine, random, and arbitrary waveforms provide excitation for stimulus/response testing. Again, tight integration of the source with the input channels and floating point processor simplifies testing since the host computer is not involved in controlling the measurement, the source DAC and ADC. The host is also relieved of computing many measurement results (windowing, FFT's, revolution domain resampling, etc).

**Figure 11:**  
**Agilent E1432A/33B**  
**DSP Data Flow**



\* Note: FIFO size reduced with octave and peak/RMS calculations.

# Built-In Measurements in Five Domains

The E1432A and E1433B turn data into information by providing data in whichever domain offers the most insight — time, frequency, octave, angle, or order. See figure 12 for a description of four data domains.

## Time Domain

The most common data type for digitizers is the time domain. Since the E1432A and E1433B use simultaneous sampling, time relationships between signals are preserved, allowing accurate channel-to-channel comparisons.

## Frequency Domain

Examining signals in the frequency domain allows you to resolve very small signals in the presence of large signals. The E1432A and E1433B use onboard DSP to compute windowed FFTs and averaged power spectrums. Averaging further improves your ability to see down into the noise. Several averaging types are supplied, including overlap processing.

The high performance of parallel processing is achieved without requiring any user programming.

## Angle or Rotation Domain

Analyzing noise or vibration from rotating machines may require signal sampling to be synchronized to a shaft's rotational velocity.

Adding Option AYF tachometer input lets you measure amplitude as a function of shaft angle, with fractions of a degree resolution. To further decrease noise, you can average multiple revolutions of the shaft.

The E1432A and E1433B avoid the inaccuracies and cost of the tracking filters and ratio synthesizers commonly used to make these measurements by computing the values in DSP. The floating point processor uses accurately measured tach times from the tachometer input to compute the actual values. Alias protection is guaranteed and errors associated with settling times of analog tracking filters and stability of ratio synthesizers are avoided.

## Normalized Order Domain

Knowing the order, phase, and amplitude of signal components can be a great diagnostic tool in determining the cause of undesirable vibrations or noise in a rotating machine. The order domain provides the advantages of the frequency domain, but with all frequencies normalized to the shaft rotational velocity.

For example, to characterize the vibration of a rotating machine over its entire operating range of RPMs, choose a start RPM, stop RPM, and RPM interval. The tachometer input will trigger a set of order ratio spectrums to be measured at the selected RPMs during the machine's run-up or run-down. Onboard computations and automatic buffering of acquired data allow very fast run-ups and run-downs without missing data.

## Optional Tachometer Input (Option AYF)

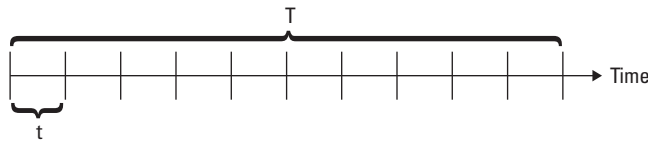
The optional tachometer input is required for angle and order domain analysis, but it has other uses. It provides RPM triggering of data acquisitions of all types — time, frequency, angle, or order. Data acquired can be stamped with the RPM at which it was acquired. This optional tachometer input also provides a more flexible external trigger capability for either the E1432A or E1433B.

## Optional Arbitrary Source (Option 1D4)

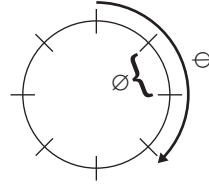
If your device-under-test requires excitation, the 16-bit arbitrary source option can provide stimulus to a shaker, loudspeaker, or electrical device. It saves money because it doesn't require an extra slot in the mainframe, and its trigger options make it easy to create elegant systems for doing stimulus/response testing.

The 1D4 option is equivalent to channel 1 of the E1434A 4-channel 65 kSample/sec arbitrary source. (See the E1434A section on page 17 for more information about the source option.)

**Figure 12:**  
**Agilent E1432A/33B**  
**Time, frequency,**  
**angle and order**  
**data domains**



Constant Time Sampling



Constant Angle Sampling (Synchronous Sampling)

Time Domain	Frequency Domain (FFT)	Angle Domain	Order Domain (FFT)
$t = \text{Time Resolution}$	$\frac{1}{2.56 * t} = \text{Maximum Frequency}$	$\phi = \text{Angular Resolution}$	$\frac{1 \text{ Revolution}}{2.56 * \phi} = \text{Maximum Order}$
	$\frac{1}{T} = \text{Frequency Resolution}$		$\frac{1 \text{ Revolution}}{\phi} = \text{Order Resolution}$

\* 2 for Nyquist, but 2.56 for a realizable anti-alias filter.

### Real-time Octave

The Fast Fourier Transform (FFT) has become very popular for quickly translating time-domain signals to the frequency domain. For acoustic applications the constant bandwidth distribution of an FFT (that is, the frequency scale is linear) is not as desirable as a constant percentage bandwidth distribution (a frequency scale that is logarithmic). The main reason for this constant percentage bandwidth is the human ear, which has a logarithmic characteristic.

Option 1D1 for the E1433B provides real-time 1/1 or one-third octave measurements. Third octave bands cover 3.15 Hz to 20 kHz and the Full Octave bands cover 4 Hz to 16 kHz. All eight channels of the E1433B can be performing real-time octave measurements simultaneously.

Adding multiple E1433B modules, each with option 1D1, allows real-time octave measurement to be running simultaneously on hundreds of channels.

The filter shapes meet or exceed ANSI S1.11.1986 Order 3, Type 1-D Extended and Optional Frequency Ranges, IEC 60225.

When the E1433B module is producing real-time octave data it can also send raw, unfiltered time domain data to the host. You can also request that the windowed FFT of this raw, unfiltered data be computed and sent to the host. This capability allows both narrowband and constant-percentage band data to be calculated simultaneously. There is a restriction in that the sample rate has to be the same (65536).

The E3243A 4-Channel Microphone/Voltage Breakout Box provides a convenient signal conditioner for microphones when used with the E1433B. The E3243A provides -20, 0, or +20 dB of gain for the microphone signal, as well as, both the 28V preamplifier power and 200V microphone polarization voltage.

#### Choose:

- A, B or C weighting
- Exponential or linear averaging
- Octave start and stop frequency
- Average integration time
- Exponential average time constant

#### Set:

- A maximum level, hold mode
- Averaging update rate (to the host) for either linear or exponential averages

# High-Speed Data Capture

The E1432A and E1433B have multiple ways to record high-speed transients. Signals can be captured to onboard RAM, continuously sent to the host via the FIFO RAM buffer, or sent over the local bus to the E1562D/E SCSI Data Disk or other modules supporting local bus (E1485C).

## Onboard RAM FIFOs

The E1432A comes standard with 32 MB of RAM. Since there are 2 bytes per sample, this represents 16 Msamples of data. This RAM is evenly divided between the number of active channels. Digitized data flows into the RAM and can be read out to the host computer. If the data rates are not too fast, the host can read out the data continuously, without interrupting the measurement.

For very fast data rates, the RAM can be used to buffer the data for the host to read when the measurement is completed. Another method supported is to configure the buffer as a FIFO. This will allow the host to read out continuous data until the FIFO overflows. If the host is fast enough, the FIFO will never overflow. If the host can't read the FIFO fast enough, the FIFO will eventually overflow and the measurement will stop; however, the accumulated data can be read out at this time. You can also configure the RAM as a circular buffer that continually overwrites itself. This is useful if you want to capture the

events that precede the trigger. Data will continually fill the buffer until the trigger occurs. The RAM will then save the pre-trigger data and continue taking data for the programmed amount of time.

## Throughput to Agilent E1562D/E Data Disk

The VXI local bus provides a high-speed path to the E1562D/E SCSI Data Disk. Two versions are available, the 4 Gbyte E1562D with built-in 4 Gbyte DAT drive, or the 8 Gbyte E1562E without the DAT. The E1562E can capture data at a rate of greater than 5 Msamples/s (10 Mbytes/s) for the complete 8 Gbytes, with no gaps or glitches.

Using only the first 40% of the E1562E disks, the E1432A or the E1433B can achieve 7.5 Msample/s (15 Mbytes/s) sustained. Adding an E1562F to the E1562E, will allow sustained transfer rates of 7.5 Msample/s for all 17 Gbytes of disk space.

A system with one E1562E and one E1562F can sustain data transfers for 144 channels of E1432A's with each channel sampling at 51.2 kSa/s rate. For E1433B's, 40 channels at 196 kSa/s can be sustained using all 17 Gbytes of disk space.

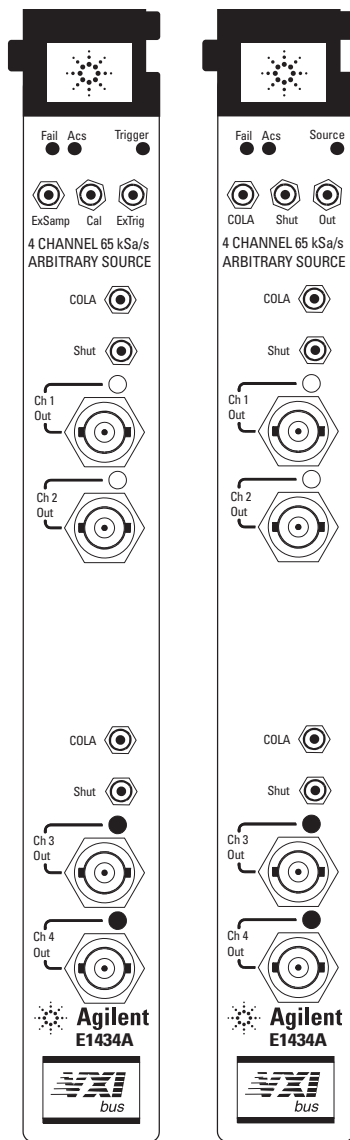
## Monitor While Throughputting Data

Both the E1432A and the E1433B can throughput data to the E1562D/E via the local bus while at the same time, send a portion of this data over the slower VME bus to the host computer for monitoring purposes. The monitored data sent to the host can be either time data, frequency domain (FFT) or order data. This monitoring capability assures you that the data being recorded on the E1562D/E is valid.

Local bus is available for the E1432A and E1433B as option UGV.

When sending the sampled data to the host for monitoring, the two byte (integer) samples are typically converted to a 64 bit floating point value by the readFloat64Data function.

# Agilent E1434A 4-Channel 65 kSample/Sec Arbitrary Source



Agilent E1434A

Agilent E1434A with  
Option 1D4

The E1434A 4-Channel 65 kSamples/sec Arbitrary Source combines on-board creation of common waveforms with continuous arbitrary waveform playback to enhance ease of use and increase system performance compared to typical DAC architectures that have little built-in intelligence. The versatile waveform types and performance coupled with the E1434A's tight integration with both the E1432A and E1433B digitizers make it the ideal source for multi-channel stimulus-response measurements in both mechanical and electrical applications.

A single-channel version of the E1434A is available as an internal option (1D4) to the E1432A and E1433B digitizers.

## Four Source Channels at 65 kSamples/Sec

The E1434A module provides 2, 4 or 5 arbitrary source channels. It provides four channels when run in the 16 bit, 65536 kSample/sec mode. This mode provides up to a 25.6 kHz bandwidth (also referred to as Span). A fifth source channel can be added to the E1434A with Option 1D4

For applications not needing four channels option 1DM can be ordered to delete two source channels.

## Common Waveforms Computed Internally

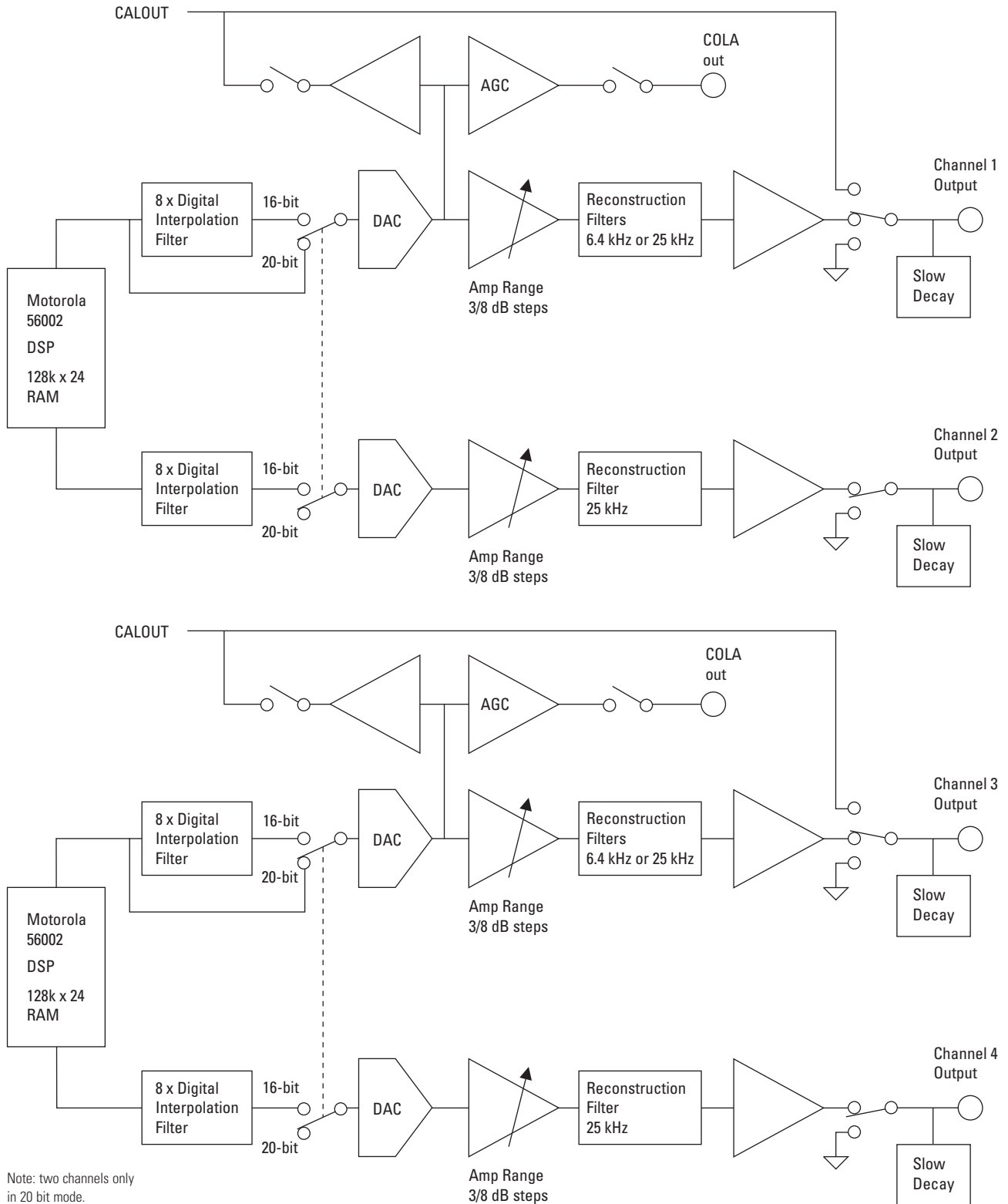
Built-in sine and random noise waveforms save development time and offload computations and data movement chores from the host computer. Multiple source channels can be programmed to output uncorrelated random noise, or each source channel can output the exact same random sequence.

The same versatile synchronization and triggering capabilities are available in both the E1434A and option 1D4. Since the E1434A is a separate module there is some additional flexibility from that offered by option 1D4. For instance, the input channels on an E1432A or E1433B can be re-initialized without impacting the E1434A's current state.

## Multiple Source Applications

In applications like Multiple-Input-Multiple-Output (MIMO) frequency response measurements or Structural Normal Mode testing, the number of sources (DACs) can easily be four or more. Also, in applications where large channel counts are needed for measured responses, the needed sources can be obtained either by adding an option 1D4 to each E1432A (or E1433B), or E1434As can be used to accomplish the same purpose.

**Figure 13:**  
**Agilent E1434A**  
**Block Diagram**



### High-Performance Architecture

Most simple DACs require the host computer to create waveforms and then download them to the DAC. By computing its own sine and random noise waveforms, the arbitrary source option offloads work from the host computer, preventing it from becoming a system performance bottleneck.

Both the E1434A and option 1D4 address this need.

### Sine and Noise Waveforms

Sine waves are one of the most common test waveforms. Sinewaves can be continuous or burst waveforms, with frequencies from near zero to 25.6 kHz.

Uncorrelated and correlated noise waveforms are also available. The source provides pseudo random waveforms, in either continuous or burst mode. Different preprogrammed seeds (256) can be sent to each source to guarantee that each source's random output is uncorrelated with any other source in the system (or they can have the same seed which will cause the random output to be identical in each source).

Additionally, the source can band-translate the noise to have a non-zero start frequency. This allows you to pinpoint the noise stimulus to frequencies of interest, avoiding troublesome resonances or frequencies that might damage the device under test. This band-translate capability allows the source to have a bandwidth and center frequency that matches the zoom FFT bandwidth and center frequency, creating a much higher quality measurement.

### Arbitrary Waveforms

Use arbitrary waveforms to provide almost any stimulus you can imagine. Arbitrary waveforms are supported in both option 1D4 and the E1434A.

You can download an arbitrary waveform into the modules 32 MB RAM and then have the module output this waveform either repetitively or as a single shot, with no further intervention from the host.

### Variable Resolutions

The arbitrary source can be used as a 16-bit source with 25.6 kHz bandwidth, or as a 20-bit source with 6.4 kHz bandwidth.

The two modes are selectable by software. The 20-bit mode is useful for applications where the extra headroom allows smooth output level changes over a wide amplitude range. In the E1434A, the 20-bit mode reduces the available channels per module from four to two (see E1434A block diagram).

### Safety Features

Since arbitrary sources can drive very expensive devices under test, it is important to provide an orderly shutdown in case of emergency. In addition to programmable ramp-up and ramp-down rates, the arbitrary source has a smooth ramp-down from AC power failure, or in response to its emergency shutdown input.

### Local Bus Option

Option UGV is available on the E1434A, but is not needed or useful for most applications.

# VXI *plug&play* Library Functions

## Software Support

Software support for the E1432A, E1433B and E1434A is very comprehensive, allowing the utmost in flexibility and performance. The VXI *plug&play* library supporting the module has a companion component that is downloaded the first time the module is used after a system powerup or reset.

This downloading feature allows the module to remain current with changes in operating systems, new software features and bug fixes. The most current revision of this library is always available at no cost to the user by an anonymous ftp connection to an Agilent Technologies server .

## High Performance

The VXI *plug&play* host library offers high-performance data movement and DSP computations within the module. In the case of the E1432A, up to nine modules, with 16 channels each (144 channels total) running at 51.2 kSamples/sec/channel can write their data to a local bus in real time. This is an aggregate rate of 15.7 Mbytes/sec continuously. The E1433B can achieve comparable rates.

From a DSP performance perspective, the E1433B can be set up to compute FFTs on each channel and at the completion of 16 averages at a block size of 2048, upload these FFT results to an HP V743 host and stay real time at a 20 kHz bandwidth (51.2 kSa/sec/ch) for a total of 48 channels (six E1433B modules). There is a great deal of flexibility here. You can upload each time history along with each FFT average, change the number of averages, change the window type, etc.

## Multiple Platforms Supported

The VXI *plug&play* host libraries for the E1432A, E1433B and E1434A are supported in HP-UX 9.X and 10.2 both with the embedded HP V743 host computer and external HP Series 700 computers via the MXI interface. Software environments such as HP VEE, MathWorks MATLAB, C, and C++ are supported.

For personal computers (PCs), the library supports both Win95 and WinNT™ environments on both embedded (E6234A) and external hosts via either Firewire (E8491A) or MXI-2 interfaces. Software environments such as HP VEE, MathWorks MATLAB, Microsoft C, C++ and Microsoft Visual Basic are supported. Contact your local Agilent representative for the current support matrix.

## Full Featured

The VXI *plug&play* library contains more than 380 functions to extract the most in performance and flexibility from the modules. This library allows the E1432A/33B/34A to turn data into information by providing data in whichever domain offers the most insight — time, frequency, angle, order, or octave.

The next section lists the functions available in a hierarchical grouping. Most functions have both a “set” and “get” version. The set function, like setRange, allows a single channel (or group of channels) to have the full scale range set. The get function interrogates the current setting. For instance, suppose you setRange to 8.5 volts. The setRange function knows that there is no full scale range of 8.5 volts, and sets the full scale value to the next higher valid range. The getRange would return a value of 10 volts in this example, since 10 volts is the next higher range. Most all functions also have a default setting, so if no “set” is called a default value is used and can be interrogated by the get function.

### **Control Agilent E1432A/ E1433B/ E1434A Directly from the Mathworks's MATLAB**

If you are one of the more than 400,000 users of MATLAB and would like to directly control Agilent's high performance multi-channel digitizers and source modules, Agilent is now supplying this control capability as part of its standard Plug & Play library for the E1432A, E1433B and E1434A VXI modules. The combination of MATLAB 5.x's n-dimensional arrays, matrix math, color surface shaded 3-D graphics, user interface building tools and Agilent's high performance measurement hardware provide most impressive results with a minimum of programming effort. This environment is really the "measurement engineer's programming language" that quickly turns measurements into insight.

### **Simple for Simple Tasks**

Agilent's Plug & Play library for the E1432A makes controlling the hardware easy for simple data acquisition tasks. Setting up the module to acquire time data on four active channels onboard the E1432A card is shown in Figure 14. The program initializes the module with four active channels at a specific sample rate, full scale range and then uploads a 1024 block of samples for each channel to the host. Plotting is accomplished with the simple call of the MATLAB Plot command.

Figure 15 shows the on-line help text for one of the VXI *plug&play* library functions used in the example.

Figure 16 shows another example of the results obtained from a 10-second run up (1000 to 3500 RPM) of an automobile engine tracking the vibration (acceleration) response as a function of RPM. In this combined 3-D plot and top down view, the vibration response is plotted as harmonics of crankshaft rotation versus RPM. This presentation gives a quick overall feel of the vibration signature as a function of RPM and orders for this engine with over 100,000 miles on its odometer.

To obtain these results a less than four page MATLAB program sets up and controls the E1432A and plots the results shown in figure 16. The E1432A digitizer, in conjunction with its optional tachometer, digitizes the acceleration data at a fixed sample rate and then, using the tachometer data and the sampled data (stored in its 32 MByte of RAM), resamples the data via a built-in digital filter to provide new samples that are now sampled at even increments of crankshaft rotation. This process is repeated at every 100 RPM increase in engine speed (user specified) with the results sent to the host computer on-line. This particular set of plots was obtained during a 10-second engine run-up with these final graphical results appearing on PC's screen within 5 seconds of completing the run-up (using an E6233A embedded Pentium controller). MATLAB's user interface building tools make the user interface shown to setup the hardware easy to build, taking less than an hour to create. This program is one of the example MATLAB scripts included with the E1432A/33B/34A Plug and Play library. All of the VXI *plug&play* functions for the E1432A/33B/34A are available to the MATLAB user, except the seven interrupt functions. These MATLAB examples, along with additional examples in C, Visual Basic and HP VEE, give you a great head start in developing your application solutions.

**Figure 14:**  
**Matlab example**  
**program using**  
**Plug & Play Library**  
**calls to the**  
**Agilent E1432A**

```

% Simple Matlab example of a four channel measurement
% This runs continuously , updating the display until stopped with "Control C"

BLOCKSIZE = 1024           % Number of samples obtained per channel when triggered
OLDCHANNELS = [1 2 3 4 5 6 7 8] % Make this variable 1 thru number of hardware channels that exist
CHANNELS = [1 2 3 4]       % Number of active channels in new measurement
SPAN = 20000.              % Variable for the alias-free frequency span (sample rate divided by 2.56)
RANGE = 10.0               % Full scale input voltage range variable

[status,session] = hpe1432('init','VXI0::8::INSTR',1,1);
                        % Initialize E1432 module at address 8 and return the session virtual
                        % instrument 'session'

[status] = hpe1432('deleteAllChanGroups',session);
                        % House cleaning to delete all previous channel groups

[status,gid] = hpe1432('createChannelGroup',session,length(OLDCHANNELS),OLDCHANNELS);
                        % Create a group of all
                        % channels. NOTE that the channel id for this group of channels is returned
                        % as gid (group ID)

[status] = hpe1432('setActive',session,gid,'CHANNEL_OFF');      % Turn all channels off

[status] = hpe1432('deleteAllChanGroups',session);              % Delete all channels groups

[status,gid] = hpe1432('createChannelGroup',session,length(CHANNELS),CHANNELS);
                        % Create a group of four active channels

[status] = hpe1432('setBlocksize',session,gid,BLOCKSIZE);       % set the block size for all channels

[status] = hpe1432('setRange',session,gid,RANGE);               % Set full scale voltage range

[status] = hpe1432('setSpan',session,gid,SPAN);                 % Set alias protected span ( sample rate / 2.56 )

[status] = hpe1432('setDataMode',session,gid,'BLOCK_MODE');    % Place module in block acquisition mode

[status] = hpe1432('setAutoTrigger',session,gid,'MANUAL_TRIGGER');
                        % Setup trigger mode

[status] = hpe1432('initMeasure',session,gid);                  % start data acquisition

A=1;
while A>0,

[status] = hpe1432('triggerMeasure',session,gid,'NO_WAIT_FLAG');
                        % Trigger a block of data on all channels
[status,data,count] = hpe1432 ('readFloat64Data', session,gid, 'TIME_DATA',
BLOCKSIZE*length(CHANNELS),'WAIT_FLAG');
                        % transfer all four channels of time data with 1024 samples (blocksize)
                        % per channel

plot(reshape(data,BLOCKSIZE,length(CHANNELS))), drawnow;
                        % convert linear array of data into 2D matrix ( channels versus samples)
                        % and plot results

A=A+1                    % let user know the loop is working
end

[status] = hpe1432('close',session);

```

**Figure 15:**  
**The on-line help text for each function is very useful when actually creating your measurement program. Shown here is an example of the help text for the setRange function.**

**hpe1432\_setRange**

Syntax:  
 ViStatus \_VI\_FUNC hpe1432\_setRange(ViSession vi, ViInt32 group, ViReal64 range);

Example  
 Sets the range of one or more channels.

<u>Parameter</u>	<u>Description</u>
<i>vi</i>	Instrument Handle returned from hpe1432_init(). <b>Data Type:</b> ViSession <b>Input/Output:</b> IN
<i>group</i>	This is the group handle returned from <b>hpe1432_createChannelGroup()</b> or a channel number of a channel that has been assigned to a group using <b>hpe1432_createChannelGroup()</b> .  <b>Data Type:</b> ViInt32 <b>Input/Output:</b> IN <b>Values:</b> <b>HPE1432_GROUP_ID_MIN</b> —8000 <b>HPE1432_GROUP_ID_MAX</b> 12288
<i>range</i>	Sets the input range in volts.  <b>Data Type:</b> ViReal64 <b>Input/Output:</b> IN <b>Values:</b> <b>HPE1432_RANGE_MIN</b> 0.0 <b>HPE1432_RANGE_MAX</b> 10.0

**Comments:**

hpe1432\_set\_range sets the range, of a single channel or group of channels, to the value given in range.

ID is either the ID of a group of channels that was obtained with a call to hpe1432\_create\_channel\_group, or the ID of a single channel.

range is the full scale range in volts. Signal inputs whose absolute value is larger than full scale will generate an ADC overflow error. (Actually, there is several dB of overhead before the ADC will overflow, to avoid spurious overflow indications.)

The actual range that is set will be the nearest legal range value that is greater than or equal to the value specified by the range parameter.

For input channels, the range is used only when the input mode is Voltage or IEPE transducer power supply (see hpe1432\_set\_input\_mode). When the input mode is Charge, the range\_charge parameter is used instead (see hpe1432\_set\_range\_charge). When the input mode is microphone mode, the range\_mike parameter is used instead (see hpe1432\_set\_range\_mike).

For source channels the range specifies an overall maximum signal level (typically on a range DAC reserved for that purpose), and can't be changed instantaneously during output. To change the signal amplitude during output, use hpe1432\_set\_amp\_scale, which can scale the output level by an (almost) arbitrary scale factor.

For tach channels, neither range nor amplitude are used.

This parameter may also be set with hpe1432\_set\_analog\_input.

After a reset, input channels have the range set to 10 volts. Source channels have the range set to the minimum legal source range (and the source is also inactive, so no signal is produced).

**Return Value:**  
**VI\_SUCCESS:** No error

**Non VI\_SUCCESS:** Indicates error condition. To determine error message, pass the return value to routine "hpe1432\_error\_message"

**Figure 16:**  
**Four cylinder**  
**automotive engine**  
**vibration response**  
**from a 10 second**  
**engine run up from**  
**1000 to 3500 RPM**  
**using Plug&Play**  
**library example for**  
**MATLAB.**

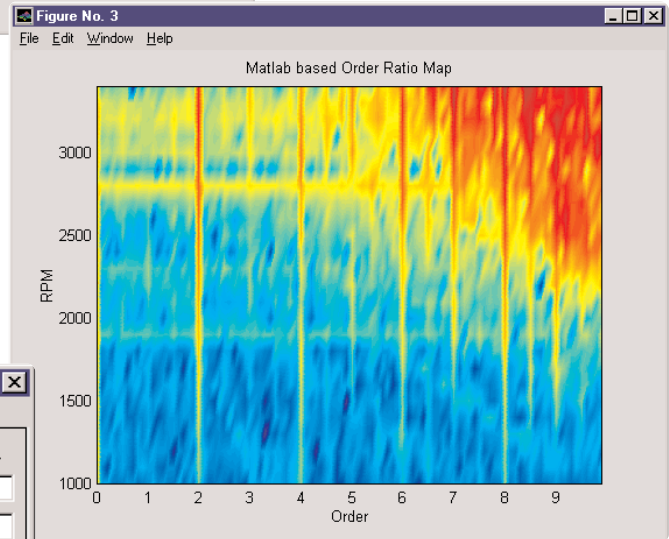
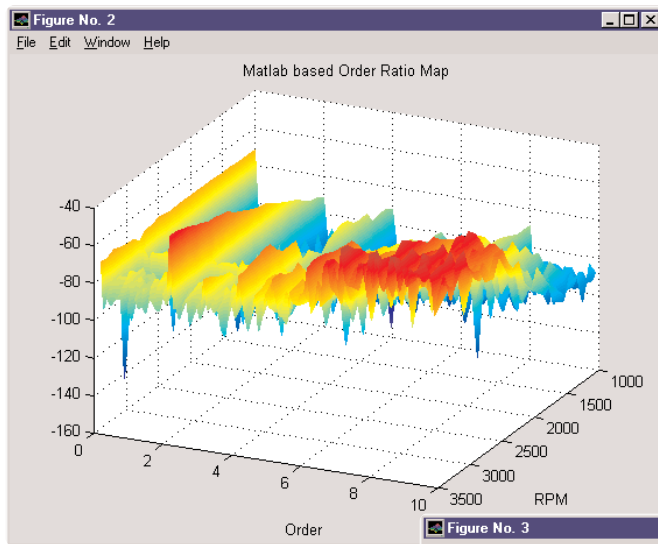


Figure No. 1

File Edit Window Help

HP E1432 Order Track

Display Ch (1-4)

Tach\_ppr

Input V Range

Start RPM

End RPM

RPM Interval

Max Order

Delta Order

Low Trigger Level

Upper Trigger Level

Blocksize

# VXI *plug&play* Library

## Function List

### Control by array

arrayControl  
arrayNextChan  
arrayReadChan

---

### Arm

getArmChannel  
setArmChannel  
getArmMode  
setArmMode  
getArmTimeInterval  
getArmTimeIntervalLimits  
setArmTimeInterval  
getNextArmRpm  
getPreArmMode  
setPreArmMode  
getPreArmRpm  
getPreArmRpmLimits  
setPreArmRpm  
getRpmHigh  
getRpmHighLimits  
setRpmHigh  
getRpmInterval  
getRpmIntervalLimits  
setRpmInterval  
getRpmLow  
getRpmLowLimits  
setRpmLow  
getRpmSmoothing  
getRpmSmoothingLimits  
setRpmSmoothing

### Control

setAutoGroupMeas  
getCalDac  
getCalDacLimits  
setCalDac  
getCalVoltage  
getCalVoltageLimits  
setCalVoltage  
getCalin  
setCalin  
getClockMaster  
setClockMaster  
getClockSource  
setClockSource  
getDataPort  
setDataPort  
getFifoSize  
getFifoSizeCurrentMax  
getFifoSizeLimits  
setFifoSize  
getLbusMode  
setLbusMode  
getLbusReset  
getMultiSync  
setMultiSync  
getSumbus  
setSumbus  
getTttrgClock  
setTttrgClock  
getTttrgGclock  
setTttrgGclock  
getTttrgLines  
setTttrgLines  
getTttrgSatrg  
setTttrgSatrg  
getTttrgTrigger  
setTttrgTrigger

---

### Data Transfer

blockAvailable  
checkOverloads  
getCurrentValue  
getRawTachs  
readFloat64Data  
readRawData  
readTrailerData

---

### Format

getAppendStatus  
setAppendStatus  
getDataMode  
setDataMode  
getDataSize  
setDataSize  
setUserData

### High Access

setAnalogInput  
setDataFormat  
setInterrupt  
setTrigger

---

### Input

autoRange  
getAntiAliasAnalog  
setAntiAliasAnalog  
getAntiAliasDigital  
setAntiAliasDigital  
getAutoRangeMode  
setAutoRangeMode  
setCouplingFreq\*  
getCoupling  
getCouplingFreq\*  
getCouplingFreqLimits\*  
setCoupling  
getInputHigh  
setInputHigh  
getInputLow  
setInputLow  
getInputMode  
setInputMode  
getInputOffset  
getInputOffsetLimits  
setInputOffset  
getPeakDecayTime\*  
getPeakDecayTimeLimits\*  
setPeakDecayTime\*  
getPeakMode  
setPeakMode  
setRamp  
getRange  
getRangeCharge  
getRangeChargeLimits  
getRangeLimits  
setRange  
setRangeCharge  
getRangeMike  
getRangeMikeLimits  
setRangeMike  
getRmsAvgTime\*  
getRmsAvgTimeLimits\*  
setRmsAvgTime\*  
getRmsMode\*  
setRmsMode\*  
getScale  
getWeighting\*  
setWeighting\*

\* Function only available in E1433B.

**Interrupt**

getInterruptMask  
 setInterruptMask  
 getInterruptPriority  
 getInterruptPriorityLimits  
 setInterruptPriority  
 getInterruptReason  
 reenableViewInterrupt

**Measurement**

getActive  
 setActive  
 getAvgMode  
 setAvgMode  
 getAvgNumber  
 getAvgNumberLimits  
 setAvgNumber  
 getAvgUpdate  
 getAvgUpdateLimits  
 setAvgUpdate  
 getAvgWeight  
 getAvgWeightLimits  
 setAvgWeight  
 getBlocksize  
 getBlocksizeCurrentMax  
 getBlocksizeLimits  
 setBlocksize  
 getCalcData  
 setCalcData  
 getCenterFreq  
 getCenterFreqLimits  
 setCenterFreq  
 getClockFreq  
 getClockFreqLimits  
 setClockFreq  
 getCurrentRpm  
 getDataRpm  
 getDecimationOutput  
 setDecimationOutput  
 getDecimationOversample  
 setDecimationOversample  
 getDecimationUndersamp  
 getDecimationUndersampLimits  
 setDecimationUndersamp  
 getDecimation  
 getDeltaOrder  
 getDeltaOrderLimits  
 setDeltaOrder

getEnable  
 setEnable  
 getFilterFreq  
 getFilterFreqLimits  
 setFilterFreq  
 getFilterSettlingTime  
 getFilterSettlingTimeLimits  
 setFilterSettlingTime  
 getMaxOrder  
 getMaxOrderLimits  
 setMaxOrder  
 getMeasTimeLength  
 getMeasTimeLengthLimits  
 setMeasTimeLength  
 getMmfDelay  
 setMmfDelay  
 getOverlap  
 getOverlapLimits  
 setOverlap  
 getRmsDecayTime  
 getRmsDecayTimeLimits  
 setRmsDecayTime  
 getSampleMode  
 setSampleMode  
 getSamplesToPreArm  
 getSpan  
 getSpanLimits  
 setSpan  
 setUserWindow  
 getWindow  
 setWindow  
 getXferSize  
 getXferSizeLimits  
 setXferSize  
 getZoom  
 setZoom

**Measurement Action**

armMeasure  
 autoZero  
 cachedParmUpdate  
 finishMeasure  
 getMeasState  
 initMeasure  
 initMeasureFinish  
 initMeasureMasterFinish  
 initMeasureMasterSetup  
 initMeasureSlaveFinish  
 initMeasureToBooted  
 preArmMeasure  
 resetMeasure  
 triggerMeasure

**Octave\***

getCurrentData  
 getOctaveAvgMode  
 setOctaveAvgMode  
 getOctaveBlocksize  
 getOctaveHoldMode  
 setOctaveHoldMode  
 getOctaveIntTime  
 getOctaveIntTimeLimits  
 setOctaveIntTime  
 getOctaveMeas  
 setOctaveMeas  
 getOctaveMode  
 setOctaveMode  
 getOctaveStartFreq  
 getOctaveStartFreqLimits  
 setOctaveStartFreq  
 getOctaveStopFreq  
 getOctaveStopFreqLimits  
 setOctaveStopFreq  
 getOctaveTimeConst  
 getOctaveTimeConstLimits  
 setOctaveTimeConst  
 getOctaveTimeStep  
 getOctaveTimeStepLimits  
 setOctaveTimeStep  
 octaveCtl

\* Note: applies only to  
 E1433B Option 1D1

**Source**

checkSrcArbRdy  
 checkSrcOverload  
 checkSrcOverread  
 checkSrcShutdown  
 checkSrcUnderrun  
 getAmpScale  
 getAmpScaleLimits  
 setAmpScale  
 getDutyCycle  
 getDutyCycleLimits  
 setDutyCycle  
 getRamp  
 getRampRate  
 getRampRateLimits  
 setRampRate  
 getSineFreq  
 getSineFreqLimits  
 setSineFreq  
 getSinePhase  
 getSinePhaseLimits  
 setSinePhase  
 getSourceBlocksize  
 getSourceBlocksizeLimits  
 setSourceBlocksize  
 getSourceCenterFreq  
 getSourceCenterFreqLimits  
 setSourceCenterFreq  
 getSourceCola  
 setSourceCola  
 getSourceMode  
 setSourceMode  
 getSourceOutput  
 setSourceOutput  
 getSourceSeed  
 getSourceSeedLimits  
 setSourceSeed  
 getSourceSpan  
 getSourceSpanLimits  
 setSourceSpan  
 getSourceSum  
 setSourceSum  
 getSrcArbStates  
 getSrcBufferInit  
 setSrcBufferInit  
 getSrcBufferMode  
 setSrcBufferMode  
 getSrcBufferSize  
 getSrcBufferSizeLimits  
 setSrcBufferSize  
 getSrcParmMode  
 setSrcParmMode  
 srcGetFwrev  
 srcGetRevsrsrcProgRomImage  
 srcRxfr  
 updateSrcParm  
 writeSrcBufferData

**Tach**

getTachClockFreq  
 getTachDecimate  
 getTachDecimateLimits  
 setTachDecimate  
 getTachDelay  
 getTachHoldoff  
 getTachHoldoffLimits  
 setTachHoldoff  
 getTachIrqNumber  
 getTachIrqNumberLimits  
 setTachIrqNumber  
 getTachMaxTime  
 getTachMaxTimeLimits  
 setTachMaxTime  
 getTachPpr  
 getTachPprLimits  
 setTachPpr  
 sendTachs

**Trigger**

getAutoTrigger  
 setAutoTrigger  
 getCalTrigCorr  
 getTriggerChannel  
 setTriggerChannel  
 getTriggerDelay  
 getTriggerDelayLimits  
 setTriggerDelay  
 getTriggerExt  
 setTriggerExt  
 getTriggerLevel  
 getTriggerLevelLimits  
 setTriggerLevel  
 getTriggerMaster  
 setTriggerMaster  
 getTriggerMode  
 setTriggerMode  
 getTriggerSlope  
 setTriggerSlope  
 getTriggersPerArm  
 getTriggersPerArmLimits  
 setTriggersPerArm  
 sendTrigger

**Utility****Errors**

errorDetails  
 error\_message  
 error\_query  
 setTraceLevel

**Low Level**

readI2C  
 readRegister16  
 readRegister32  
 scaDspDownload  
 scaDspExecQuery  
 writeI2C  
 writeRegister16  
 writeRegister32

**Overhead**

channelGroupAdd  
 channelGroupRemove  
 createChannelGroup  
 deleteAllChanGroups  
 deleteChannelGroup  
 find  
 getAutoGroupMeas  
 getFwrev  
 getGroupInfo  
 getHWConfig  
 getMeasWarning  
 getMeasWarningString  
 getNumChans  
 getSerialNum  
 install  
 nstallFile  
 preset  
 reset  
 resetLbus  
 revision\_query  
 selftest

### **Agilent Technologies' Test and Measurement Support, Services, and Assistance**

Agilent Technologies aims to maximize the value you receive, while minimizing your risk and problems. We strive to ensure that you get the test and measurement capabilities you paid for and obtain the support you need. Our extensive support resources and services can help you choose the right Agilent products for your applications and apply them successfully. Every instrument and system we sell has a global warranty. Support is available for at least five years beyond the production life of the product. Two concepts underlie Agilent's overall support policy: "Our Promise" and "Your Advantage."

#### **Our Promise**

Our Promise means your Agilent test and measurement equipment will meet its advertised performance and functionality. When you are choosing new equipment, we will help you with product information, including realistic performance specifications and practical recommendations from experienced test engineers. When you use Agilent equipment, we can verify that it works properly, help with product operation, and provide basic measurement assistance for the use of specified capabilities, at no extra cost upon request. Many self-help tools are available.

#### **Your Advantage**

Your Advantage means that Agilent offers a wide range of additional expert test and measurement services, which you can purchase according to your unique technical and business needs. Solve problems efficiently and gain a competitive edge by contracting with us for calibration, extra-cost upgrades, out-of-warranty repairs, and on-site education and training, as well as design, system integration, project management, and other professional engineering services. Experienced Agilent engineers and technicians worldwide can help you maximize your productivity, optimize the return on investment of your Agilent instruments and systems, and obtain dependable measurement accuracy for the life of those products.

#### **For More Assistance with Your Test & Measurement Needs go to**

**[www.agilent.com/find/assist](http://www.agilent.com/find/assist)**

Or contact the test and measurement experts at Agilent Technologies  
(During normal business hours)

**United States:**  
(tel) 1 800 452 4844

**Latin America:**  
(tel) (305) 267 4245  
(fax) (305) 267 4286

**Canada:**  
(tel) 1 877 894 4414  
(fax) (905) 206 4120

**Australia:**  
(tel) 1 800 629 485  
(fax) (61 3) 9272 0749

**Europe:**  
(tel) (31 20) 547 2323  
(fax) (31 20) 547 2390

**New Zealand:**  
(tel) 0 800 738 378  
(fax) 64 4 495 8950

**Japan:**  
(tel) (81) 426 56 7832  
(fax) (81) 426 56 7840

**Asia Pacific:**  
(tel) (852) 3197 7777  
(fax) (852) 2506 9284

Product specifications and descriptions in this document subject to change without notice.  
Copyright © 1997, 1998, 1999, 2000 Agilent Technologies  
Printed in U.S.A. 5/00  
5968-7086E



**Agilent Technologies**

Innovating the HP Way