

Agilent E8480A 40-Channel, High-Power, General Purpose Switch

Data Sheet

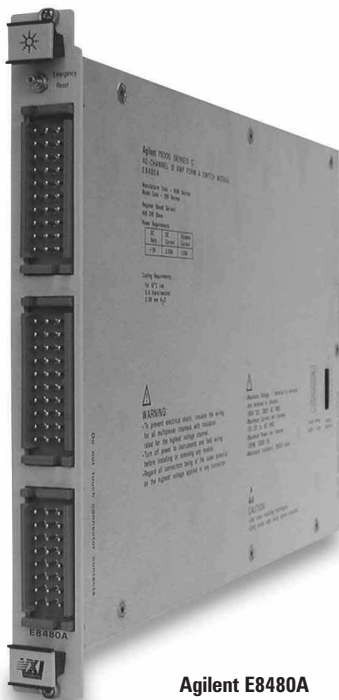
- 1-Slot, C-size, register based
- Ideal for switching ac or dc power
- Up to 12 amps per channel
- Non-latching relays
- Normally open terminals

Description

The Agilent Technologies E8480A 40-Channel, High-Power, General Purpose Switch is a **C-size, 1-slot, register-based VXI module**. It is capable of switching up to 12 amps of current on a single channel for power-switching applications. These applications include process control, appliance pass/fail testing, environmental testing and on/off control, among many others.

There are two 30-pin male connectors and one 24-pin male connector on the front panel of the E8480A. The E8480A Option 105 provides two 30-pin mating female connectors, and Option 106 provides one 24-pin mating female connector. Both options include the female connector(s) and crimp contacts which are inserted into the connector bodies. The crimp contacts support up to 12 AWG (4.0 sq. mm) wire.

Refer to the Agilent Technologies Website for instrument driver availability and downloading instructions, as well as for recent product updates, if applicable.



Agilent E8480A

Product Specifications

Number of Channels: 40
Form: A (SPST)

Input

Maximum voltage:
DC: 150 V
AC rms: 280 V
Maximum transient impulse:
Vpk: 2,500 V
Maximum current (noninductive, per switch):
DC: 12 A @ 30 V
 3.5 A @ 40 V
 0.3 A @ 150 V
AC: 12 A
Maximum power:
DC (per switch): 360 W
AC (per switch): 3,360 VA
DC (per module): 2,160 W
AC (per module): 20,160 VA

DC

Maximum thermal offset: 10 μ V
Initial closed channel resistance: 100 m Ω typical
Insulation resistance (between any two points):
 ≤ 40 °C, $\leq 95\%$ RH: n/a
 ≤ 40 °C, $\leq 65\%$ RH: $>10E8$ Ω
 ≤ 25 °C, $\leq 40\%$ RH: $>10E9$ Ω

AC

Typical bandwidth (-3 dB): 10 MHz
Crosstalk (dB, channel-to-channel):
 <10 kHz: <-65 dB
 <100 kHz: <-45 dB
 <1 MHz: n/a
 <10 MHz: n/a
Closed-channel capacitance:
Hi to Lo (channel open): <200 pF
Ch-to-ch: <200 pF
Ch-to-chassis: <200 pF

General

Typical relay life (number of operations):
No load: $10E7$
At rated load*: $10E5$
Time to close or open a channel: 15 ms

*Note: Minimum load 5 Vdc, 0.1 A per channel

General Specifications

VXI Characteristics

VXI device type: Register based, A16, Slave only
Size: C
Slots: 1
Connectors: P1/P2
Shared memory: None
VXI buses: None

Instrument Drivers

See the Agilent Technologies Website (http://www.agilent.com/find/inst_drivers) for driver availability and downloading.

Command module firmware: Downloadable
Command module firmware rev: A.11.01
I-SCPI Win 3.1: No
I-SCPI Series 700: No
C-SCPI LynxOS: No
C-SCPI Series 700: No
Panel Drivers: No
VXIplug&play Win Framework: No
VXIplug&play Win95/NT Framework: Yes
VXIplug&play HP-UX Framework: No

Cooling/Slot

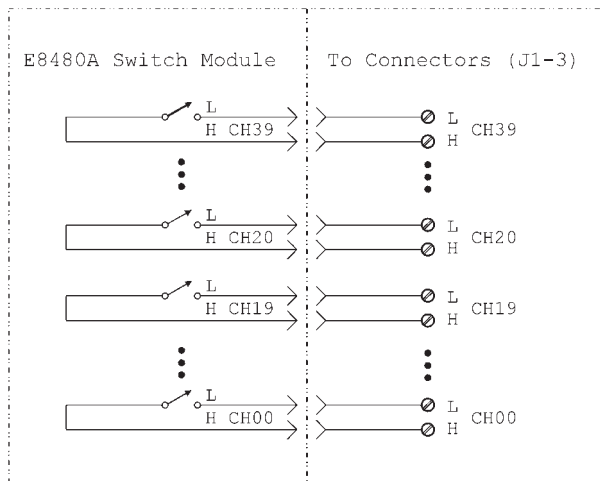
Watts/slot: 86
 ΔP mm H₂O: 0.70
Air flow liter/s: 6.9

Module Current

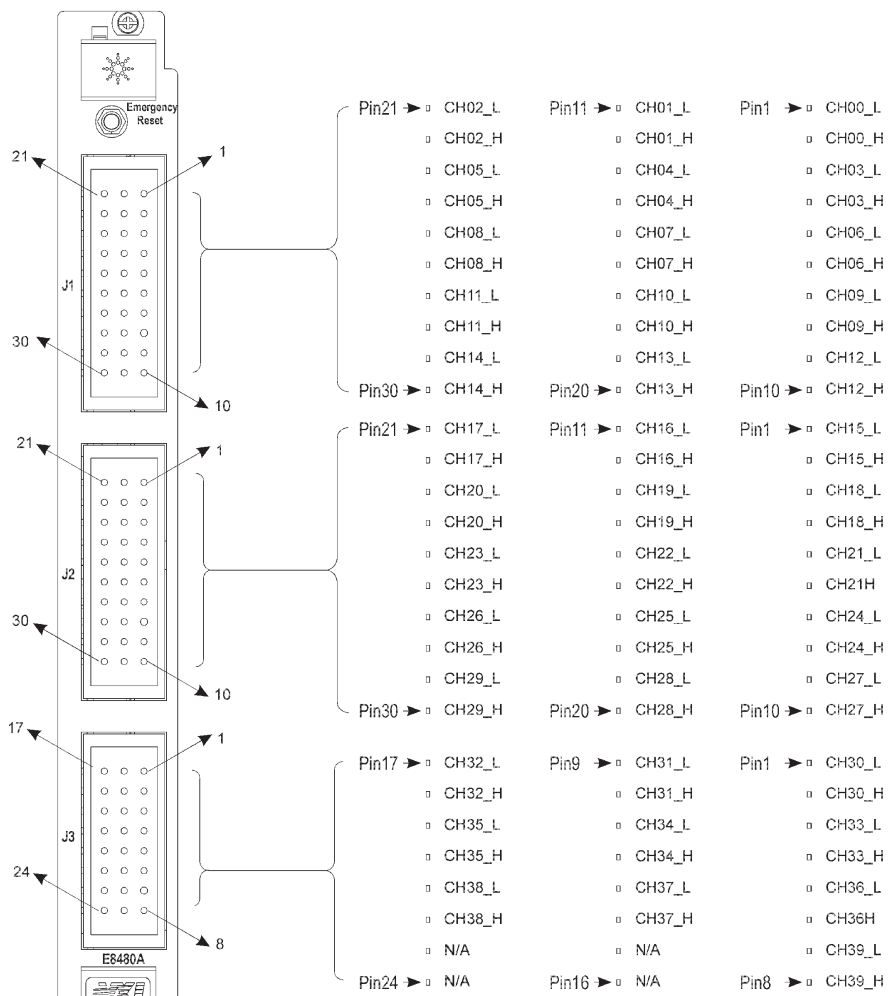
	I _{PM} (A)	I _{DM} (A)
+5 V:	3.5	0.1
+12 V:	0	0
-12 V:	0	0
+24 V:	0	0
-24 V:	0	0
-5.2 V:	0	0
-2 V:	0	0

Ordering Information

Description	Product No.
40-Channel, High-Power, General Purpose Switch	E8480A
Two 30-pin Female Mating Connectors	E8480A 105
One 24-pin Female Mating Connector	E8480A 106



Agilent E8480A Circuit Diagram



Agilent E8480 Front Panel Connectors Pinout

Agilent Technologies' Test and Measurement Support, Services, and Assistance

Agilent Technologies aims to maximize the value you receive, while minimizing your risk and problems. We strive to ensure that you get the test and measurement capabilities you paid for and obtain the support you need. Our extensive support resources and services can help you choose the right Agilent products for your applications and apply them successfully. Every instrument and system we sell has a global warranty. Support is available for at least five years beyond the production life of the product. Two concepts underlie Agilent's overall support policy: "Our Promise" and "Your Advantage."

Our Promise

Our Promise means your Agilent test and measurement equipment will meet its advertised performance and functionality. When you are choosing new equipment, we will help you with product information, including realistic performance specifications and practical recommendations from experienced test engineers. When you use Agilent equipment, we can verify that it works properly, help with product operation, and provide basic measurement assistance for the use of specified capabilities, at no extra cost upon request. Many self-help tools are available.

Your Advantage

Your Advantage means that Agilent offers a wide range of additional expert test and measurement services, which you can purchase according to your unique technical and business needs. Solve problems efficiently and gain a competitive edge by contracting with us for calibration, extra-cost upgrades, out-of-warranty repairs, and on-site education and training, as well as design, system integration, project management, and other professional engineering services. Experienced Agilent engineers and technicians worldwide can help you maximize your productivity, optimize the return on investment of your Agilent instruments and systems, and obtain dependable measurement accuracy for the life of those products.

By internet, phone, or fax, get assistance with all your test & measurement needs.

Online assistance:
www.agilent.com/find/assist

Phone or Fax

United States:

(tel) 1 800 829 4444

Canada:

(tel) 1 877 894 4414

(fax) (905) 282 6495

China:

(tel) 800 810 0189

(fax) 800 820 2816

Europe:

(tel) (31 20) 547 2323

(fax) (31 20) 547 2390

Japan:

(tel) (81) 426 56 7832

(fax) (81) 426 56 7840

Korea:

(tel) (82 2) 2004 5004

(fax) (82 2) 2004 5115

Latin America:

(tel) (305) 269 7500

(fax) (305) 269 7599

Taiwan:

(tel) 0800 047 866

(fax) 0800 286 331

Other Asia Pacific Countries:

(tel) (65) 6375 8100

(fax) (65) 6836 0252

(e-mail) tm_asia@agilent.com

Data Subject to Change

© Agilent Technologies, Inc. 2000

Printed in the U.S.A. May 1, 2004

5988-1408EN



Agilent Technologies