



The U7242A USB 3.0 Transmitter and Receiver Test Fixture

Data sheet

Key specifications:

- Provides test point access for transmitter measurements
- Single-ended measurements as required by the USB 3.0 specification for transmitter and receiver validation and compliance testing
- Differential measurements using active probes allow probing of active bus transactions for debug and verification testing
- USB 3.0 power probing features for easy measurement of transient and steady state power states

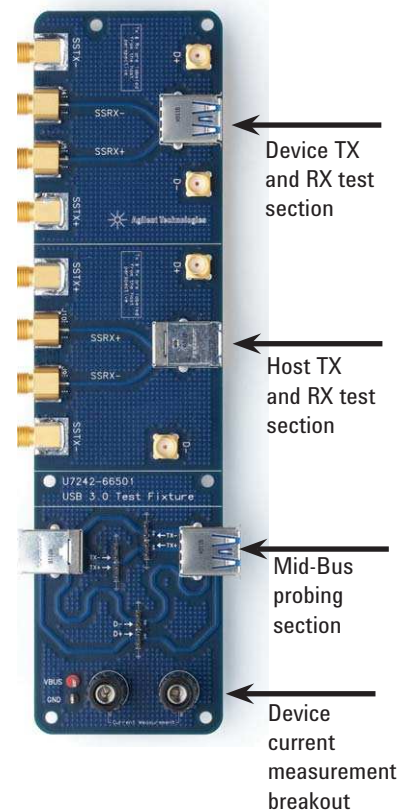
Description:

The U7242A USB 3.0 test fixture will help simplify the USB 3.0 measurement process by providing access to the transmitter and receiver measurement points required for USB 3.0 compliance testing. It has been designed for direct SMA connections for easy and accurate measurements with direct connections to the oscilloscope and J-Bert SMA connections. It also includes probing connections for InfiniiMax active differential probes for the characterization and testing of active bus signaling of USB 3.0 and USB 2.0 traffic.

The U7242A USB 3.0 superspeed electrical test fixture provides signal accessibility and probing for USB 3.0 devices, host and hub upstream and downstream ports.

The Agilent U7242A USB 3.0 test fixtures enable transmitter and receiver compliance and validation testing on USB 3.0 products that implement the standard superspeed connector types. The fixture SMA signal breakout connections provide convenient and high performance connection points for Agilent Infiniium Series oscilloscope transmitter measurements and Agilent J-BERT receiver jitter tolerance signal injection.

The fixture includes a mid-bus probing section to measure active bus traffic and bus states. It also includes current measurement connections for active power, suspend power and inrush current measurements.



Agilent Technologies



Agilent Email Updates

www.agilent.com/find/emailupdates
Get the latest information on the products and applications you select.



Agilent Direct

www.agilent.com/find/agilentdirect
Quickly choose and use your test equipment solutions with confidence.



www.agilent.com/find/open
Agilent Open simplifies the process of connecting and programming test systems to help engineers design, validate and manufacture electronic products. Agilent offers open connectivity for a broad range of system-ready instruments, open industry software, PC-standard I/O and global support, which are combined to more easily integrate test system development.



www.lxistandard.org
LXI is the LAN-based successor to GPIB, providing faster, more efficient connectivity. Agilent is a founding member of the LXI consortium.

Remove all doubt

Our repair and calibration services will get your equipment back to you, performing like new, when promised. You will get full value out of your Agilent equipment throughout its lifetime. Your equipment will be serviced by Agilent-trained technicians using the latest factory calibration procedures, automated repair diagnostics and genuine parts. You will always have the utmost confidence in your measurements. For information regarding self maintenance of this product, please contact your Agilent office.

Agilent offers a wide range of additional expert test and measurement services for your equipment, including initial start-up assistance, onsite education and training, as well as design, system integration, and project management.

For more information on repair and calibration services, go to:

www.agilent.com/find/removealldoubt

For more information on Agilent Technologies' products, applications or services, please contact your local Agilent office. The complete list is available at:

www.agilent.com/find/contactus

Americas

Canada	(877) 894-4414
Latin America	305 269 7500
United States	(800) 829-4444

Asia Pacific

Australia	1 800 629 485
China	800 810 0189
Hong Kong	800 938 693
India	1 800 112 929
Japan	0120 (421) 345
Korea	080 769 0800
Malaysia	1 800 888 848
Singapore	1 800 375 8100
Taiwan	0800 047 866
Thailand	1 800 226 008

Europe & Middle East

Austria	01 36027 71571
Belgium	32 (0) 2 404 93 40
Denmark	45 70 13 15 15
Finland	358 (0) 10 855 2100
France	0825 010 700
Germany	07031 464 6333
Ireland	1890 924 204
Israel	972-3-9288-504/544
Italy	39 02 92 60 8484
Netherlands	31 (0) 20 547 2111
Spain	34 (91) 631 3300
Sweden	0200-88 22 55
Switzerland	0800 80 53 53
United Kingdom	44 (0) 118 9276201

Other European Countries:

www.agilent.com/find/contactus

Revised: October 1, 2008

Product specifications and descriptions in this document subject to change without notice.

© Agilent Technologies, Inc. 2009
Printed in USA, June 1, 2009
5990-4118EN

