

Agilent 11667L Power Splitter DC-2 GHz, BNC, 50 ohm

Technical Overview

The Agilent 11667L is a 50 ohm two-resistor type power splitter with BNC connectors. The 11667L provides exceptional amplitude and phase tracking for highly accurate power splitting. Offering excellent output power symmetry between the two output ports, the 11667L is recommended for applications that require external source leveling and ratio measurements by using the E5061B network analyzer (at its gain-phase test port), and for other legacy network/gain-phase analyzers that do not have built-in power splitters or directional bridges.

Key Features

- Excellent amplitude (0.2 dB) and phase tracking ($\pm 3^\circ$) ensures highly accurate power splitting
- Low SWR minimizes measurement uncertainty

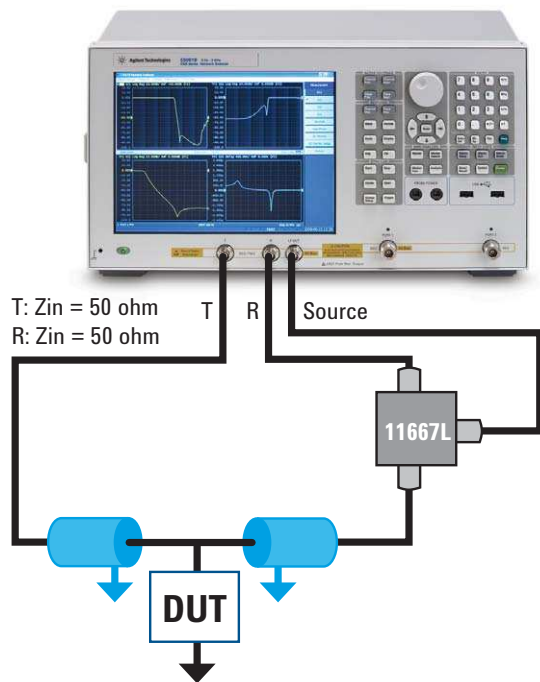


Agilent Technologies

Application examples

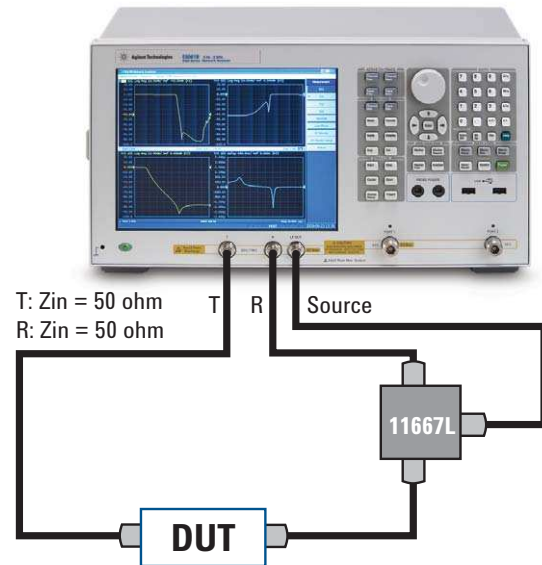
Network Measurements

Milliohm impedance measurements with shunt-thru method (DC-DC converters, large bypass capacitors)

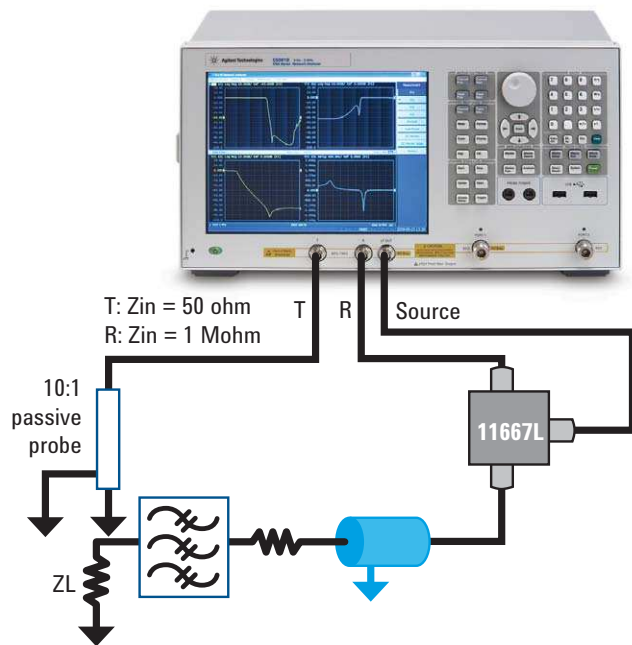


Shunt-thru impedance measurement

Transmission coefficient measurements for 2-port devices

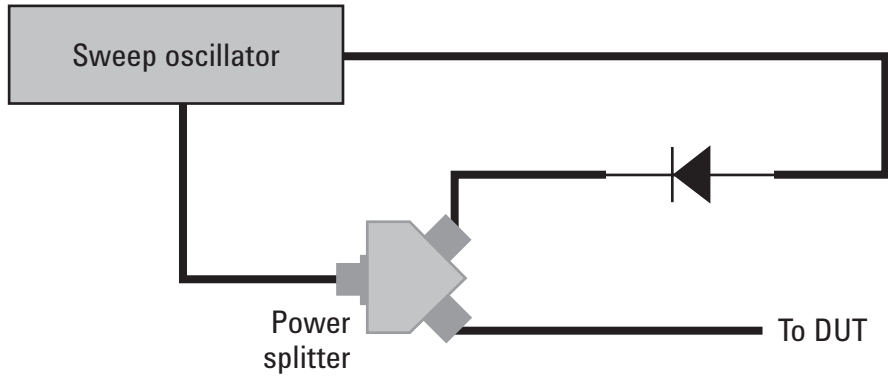


50 ohm device measurement

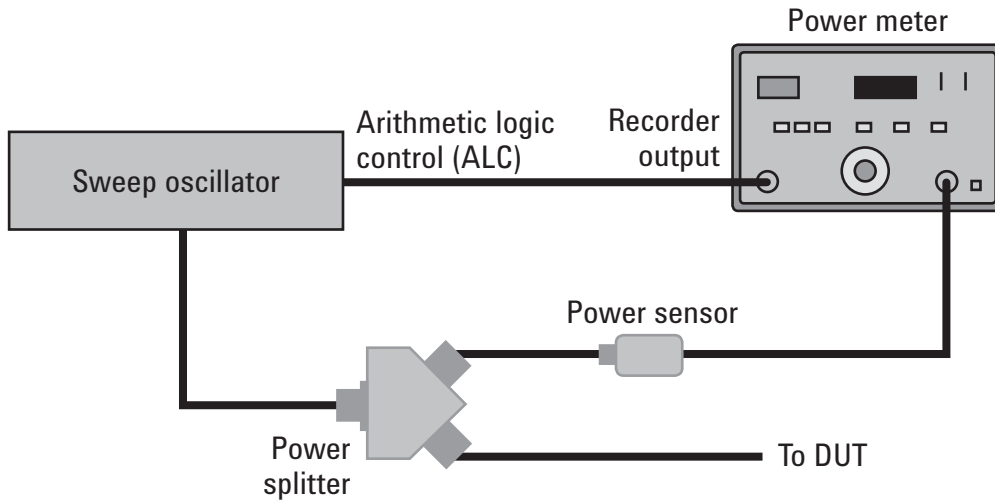


Non-50 ohm LF filter measurement

Rationing and leveling



Power splitter test setup for leveling with a crystal detector



Power splitter test setup for leveling with a power meter

NOTE:

The two-resistor type power splitters are not applicable to power dividing and combining applications. For these purposes, use the three-resistor type power dividers.

Specifications

Specifications describe the product's warranted performance. Supplemental and typical characteristics are intended to provide typical but non-warranted performance parameters. These are denoted as "typical", "nominal" or "approximate".

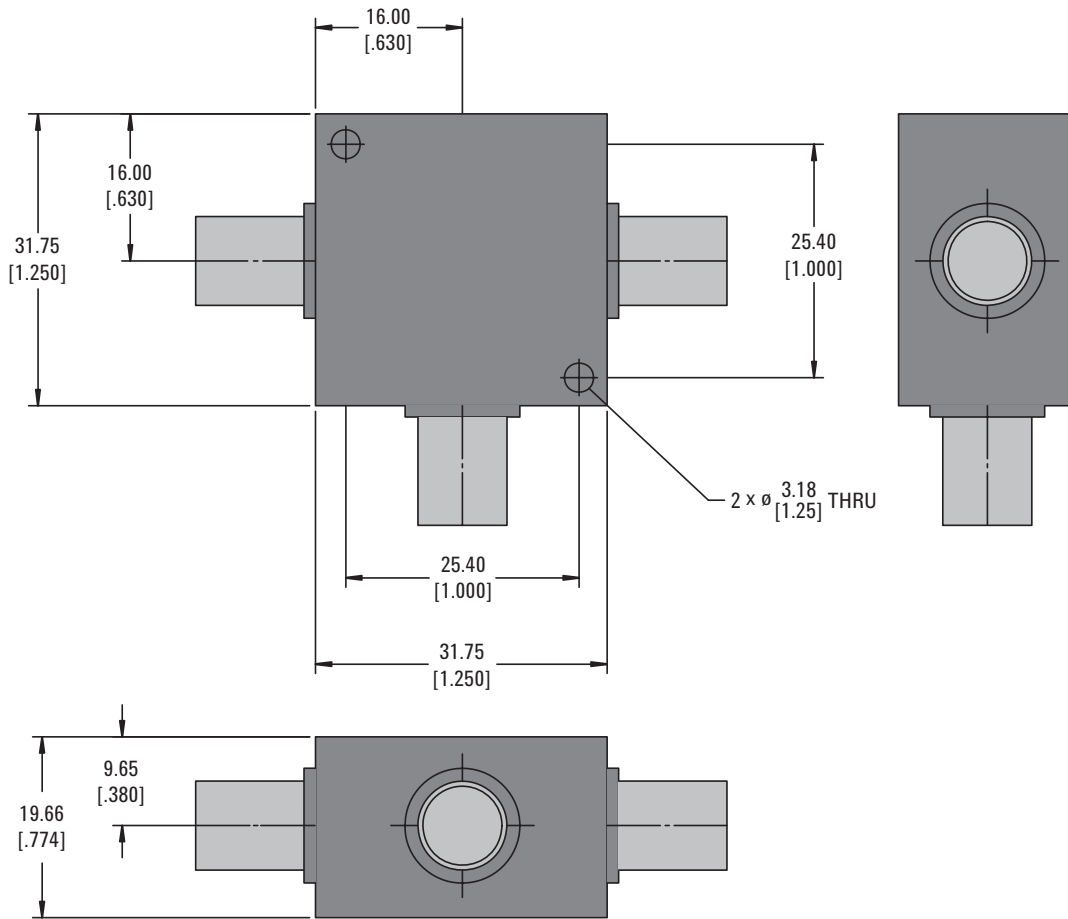
Specifications	Agilent 11667L
Frequency Range	DC to 2 GHz
Connector	BNC (f)
Insertion Loss above 6 dB (max)	DC to 100 MHz : 0.2 dB
	100 MHz to 2 GHz : 0.6 dB
Isolation (Min)	DC to 2 GHz : 11 dB
Return Loss (SWR) Typical	Input : 18 dB (1.3)
	Output : 11 dB (1.78)
Amplitude Tracking (Max)	DC to 100 MHz : 0.1 dB
	100 MHz to 2 GHz : 0.2 dB
Phase Tracking (Max)	DC to 100 MHz : 1 deg
	100 MHz to 2 GHz : 3 deg
Maximum Input Power	500 mW

Environmental Test Specifications

The 11667L is designed to fully comply with Agilent Technologies product operating environment specifications. The following summarizes the environments for these products.

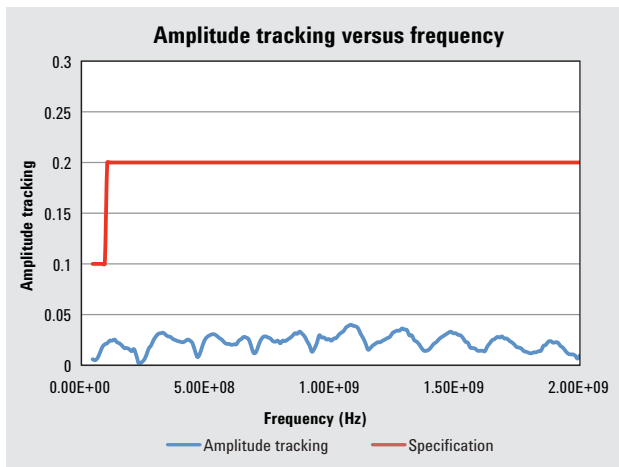
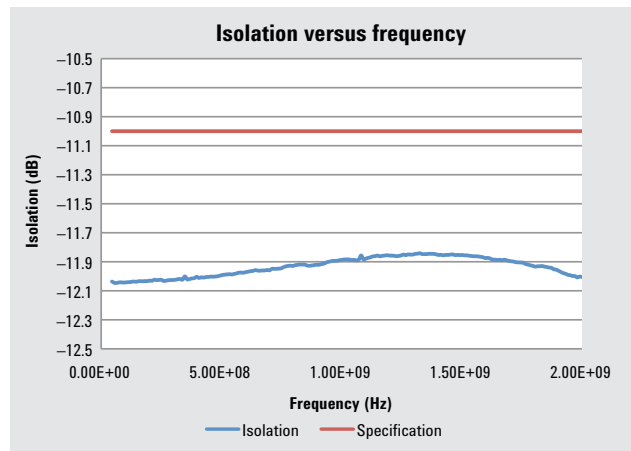
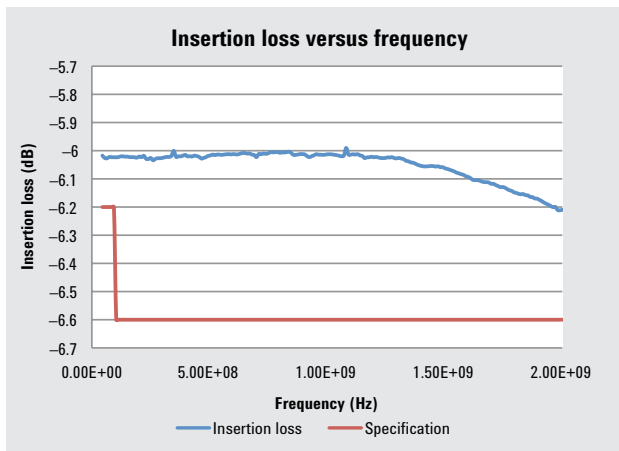
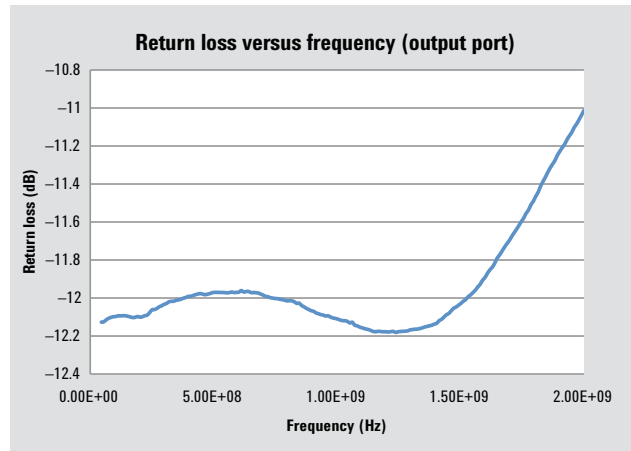
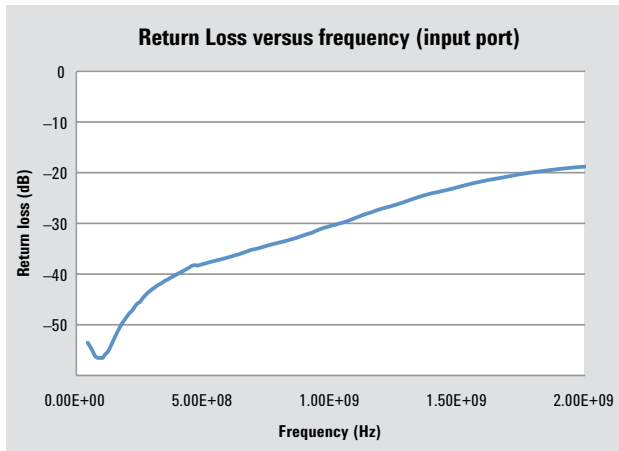
Temperature	
Operating	0 – 55 °C
Non-operating	–40 °C to 70 °C
Humidity	
Non-operating	–10 °C to 25 °C / 50% RH
Operating	40 °C / 95% RH, 5-day cycle
Functional Shock	Half-sine, 30 g, 11 ms
Vibration	
Operating random vibration	5 to 500 Hz, 0.21g RMS
Altitude	
Storage/Operating	≤ 4600 meters (15,000 feet)
ESD immunity	
Direct discharge	6kV
Air discharge	15kV

Mechanical Dimensions



Product dimensions for 11667L

Typical Performance



Ordering Information

11667L

Power splitter DC-2 GHz,
BNC, 50 ohm

Related Literature

Differences in Application between Power Dividers and Power Splitter, Application Note,
Literature number 5989-6699EN

Agilent E5061B Network Analyzer, Technical Overview,
Literature number 5990-4390EN



Agilent Email Updates

www.agilent.com/find/emailupdates

Get the latest information on the products and applications you select.



www.lxistandard.org

LXI is the LAN-based successor to GPIB, providing faster, more efficient connectivity. Agilent is a founding member of the LXI consortium.

Agilent Channel Partners

www.agilent.com/find/channelpartners

Get the best of both worlds: Agilent's measurement expertise and product breadth, combined with channel partner convenience.

Remove all doubt

Our repair and calibration services will get your equipment back to you, performing like new, when promised. You will get full value out of your Agilent equipment throughout its lifetime. Your equipment will be serviced by Agilent-trained technicians using the latest factory calibration procedures, automated repair diagnostics and genuine parts. You will always have the utmost confidence in your measurements. For information regarding self maintenance of this product, please contact your Agilent office.

Agilent offers a wide range of additional expert test and measurement services for your equipment, including initial start-up assistance, onsite education and training, as well as design, system integration, and project management.

For more information on repair and calibration services, go to:

www.agilent.com/find/removealldoubt

www.agilent.com

www.agilent.com/find/mta

For more information on Agilent Technologies' products, applications or services, please contact your local Agilent office. The complete list is available at:

www.agilent.com/find/contactus

Americas

Canada	(877) 894 4414
Latin America	305 269 7500
United States	(800) 829 4444

Asia Pacific

Australia	1 800 629 485
China	800 810 0189
Hong Kong	800 938 693
India	1 800 112 929
Japan	0120 (421) 345
Korea	080 769 0800
Malaysia	1 800 888 848
Singapore	1 800 375 8100
Taiwan	0800 047 866
Thailand	1 800 226 008

Europe & Middle East

Austria	43 (0) 1 360 277 1571
Belgium	32 (0) 2 404 93 40
Denmark	45 70 13 15 15
Finland	358 (0) 10 855 2100
France	0825 010 700*
Germany	49 (0) 7031 464 6333
Ireland	1890 924 204
Israel	972-3-9288-504/544
Italy	39 02 92 60 8484
Netherlands	31 (0) 20 547 2111
Spain	34 (91) 631 3300
Sweden	0200-88 22 55
Switzerland	0800 80 53 53
United Kingdom	44 (0) 118 9276201

Other European Countries:

www.agilent.com/find/contactus

Revised: October 1, 2009

Product specifications and descriptions in this document subject to change without notice.

© Agilent Technologies, Inc. 2010

Printed in USA, March 26, 2010

5990-5560EN



Agilent Technologies