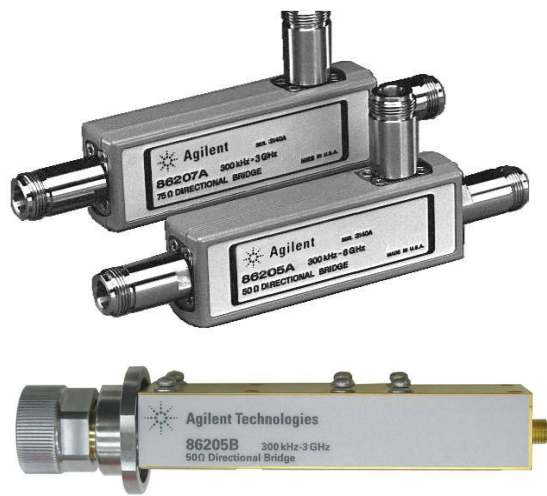




# Agilent 86205A/B & 86207A 50 $\Omega$ & 75 $\Omega$ RF Bridges

## Data Sheet

300 kHz to 3 GHz (50  $\Omega$ )  
300 kHz to 6 GHz (50  $\Omega$ )  
300 kHz to 3 GHz (75  $\Omega$ )



The 86205A/B and 86207A high directivity RF bridges offer unparalleled performance in a variety of general purpose applications. They are ideal for accurate reflection measurements and signal-leveling applications. They combine the directivity and broad-band frequency range of directional bridges and the low insertion loss and flat coupling factor of directional couplers.

### 40 dB directivity

Excellent directivity allows you to measure high return loss devices and good port match lets you measure low return loss devices. This is especially important when making reflection measurements with scalar network analyzers, vector network analyzers and spectrum analyzers.

### Wide frequency range

The bridges have an exceptionally wide RF frequency range: 300 kHz to 3/6 GHz for the 50  $\Omega$  86205A/B and 300 kHz to 3 GHz for the 75  $\Omega$  86207A. They are ideal accessories when used with the E5061/71 family of the ENA series network analyzers.

### Low insertion loss

These bridges offer low insertion loss, (nominally 1.5 dB), which is significantly less than the typical 6 to 8 dB normally associated with RF bridges. Low insertion loss means more power to the device under test. This is required for the measurement of high-power solid state amplifiers and traveling wave tube amplifiers.

### Flat coupling factor

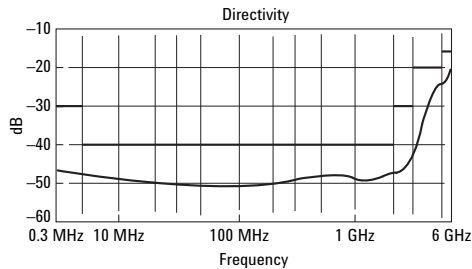
The frequency response of the coupled arm for these bridges is very flat, within  $\pm 0.2$  dB of the nominal value of 16 dB. This is important in applications such as external power leveling where a power meter or diode detector is used to remotely level the output power from an RF source and when measuring power level dependent devices such as the LO input to a mixer or the RF input to an amplifier during compression testing.

## Specifications

Specifications describe the instrument's warranted performance over the temperature range of 0 °C to 55 °C. Supplemental characteristics are intended to provide information useful in applying the instrument by giving supplemental, but not warranted performance parameters. These are denoted as "typical."

### 86205A

Frequency range	300 kHz to 6 GHz
Impedance	50 Ohms (nominal)
Directivity (25 °C, ±5 °C)	30 dB, 0.3 MHz to 5 MHz 40 dB, 5 MHz to 2 GHz 30 dB, 2 GHz to 3 GHz (typical) 20 dB, 3 GHz to 5 GHz (typical) 16 dB, 5 GHz to 6 GHz



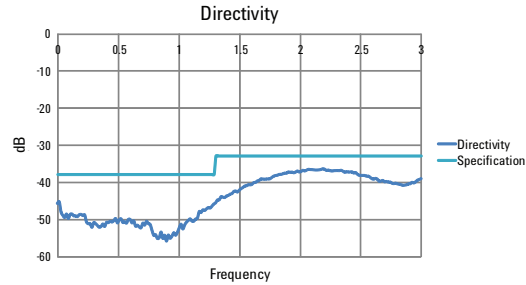
Port match	23 dB, 0.3 MHz to 2.0 GHz (1.15 SWR)
	20 dB, 2.0 GHz to 3 GHz (1.22 SWR)
	(typical) 18 dB, 3 GHz to 5 GHz (1.29 SWR)
	(typical) 16 dB, 5 GHz to 6 GHz (1.38 SWR)

### Supplemental characteristics

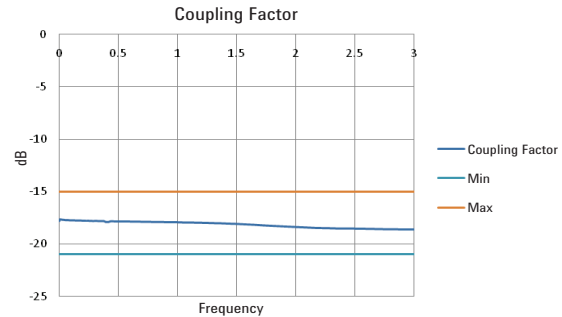
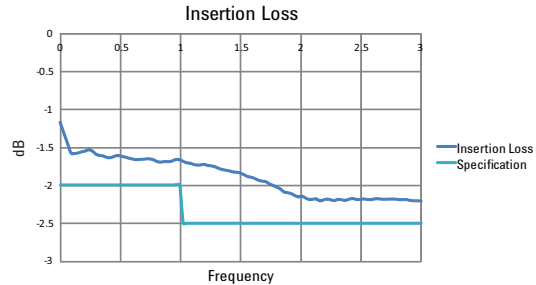
Insertion loss	1.5 dB, +0.1 dB/GHz
Insertion loss deviation	±0.2 dB
Coupling factor	(< 3 GHz) 16.0 dB, +0.15 dB/GHz (> 3 GHz) 16.5 dB, -0.20 dB/GHz
Coupling factor deviation	(< 3 GHz) ±0.2 dB, (> 3 GHz) ±0.4 dB
Maximum input power	25 dBm
Maximum DC, volts (through arm)	30 VDC
Maximum DC, volts (coupled arm)	0 VDC
Maximum DC, amps (through arm)	1 amp
Below 1 MHz directivity and port match will be slightly degraded above 200 ma bias current.	
Connectors	Type-N (female)
Dimensions	160 W x 93 H x 23 mm D (6.3 W x 3.7 H x 1 in D)
Weight	Net 0.57 kg (1.3 lbs), shipping 1.80 kg (4.0 lbs)

### 86205B

Frequency range	300 kHz to 3 GHz
Impedance	50 Ohms (nominal)
Directivity (25 °C, ±5 °C)	38 dB, 0.3 MHz to 1.3 GHz 33 dB, 1.3 GHz to 3 GHz



Port match	14 dB, 0.3 MHz to 3 GHz, (1.50 SWR)
------------	-------------------------------------

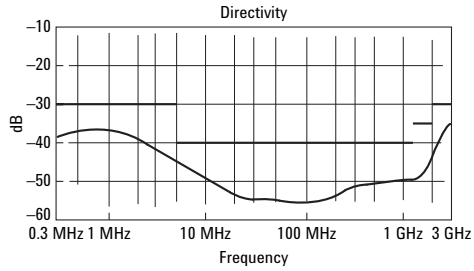


### Supplemental characteristics

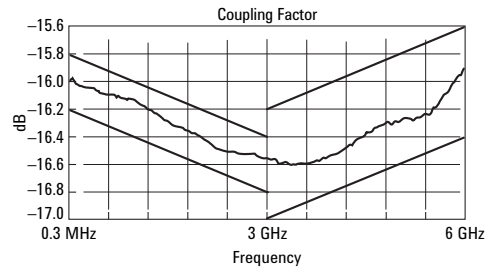
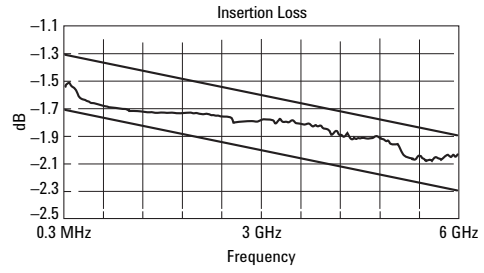
Insertion loss	2.0 dB, 0.3 MHz to 1 GHz 2.5 dB, 1 GHz to 3 GHz
Coupling factor	-21 to -15 dB, 0.3 MHz to 3 GHz 18 dB, 0.3 MHz to 3 GHz
Coupling factor deviation	+3 dB
Connectors	3.5 mm (f), APC-7
Dimension	133.2 W x 18.2 H x 31.5 mm D (5.2 W x 0.7 H x 1.2 in D)
Weight	Net 0.31 kg (0.68 lbs), Shipping 0.64 kg (1.41 lbs)

## 86207A

Frequency range	300 kHz to 3 GHz
Impedance	75 Ohms (nominal)
Directivity (25 °C, ±5 °C)	30 dB, 0.3 MHz to 5 MHz 40 dB, 5 MHz to 1.3 GHz 35 dB, 1.3 GHz to 2 GHz (typical) 30 dB, 2 GHz to 3 GHz



Port match	20 dB, 0.3 GHz to 1.3 GHz (1.22 SWR) (typical) 18 dB, 1.3 GHz to 2 GHz (1.29 SWR) (typical) 18 dB, 2 GHz to 3 GHz (1.29 SWR)
------------	--



## Models

- 86205A RF bridge (50 Ω)
- 86205B RF bridge (50 Ω)
- 86207A RF bridge (75 Ω)

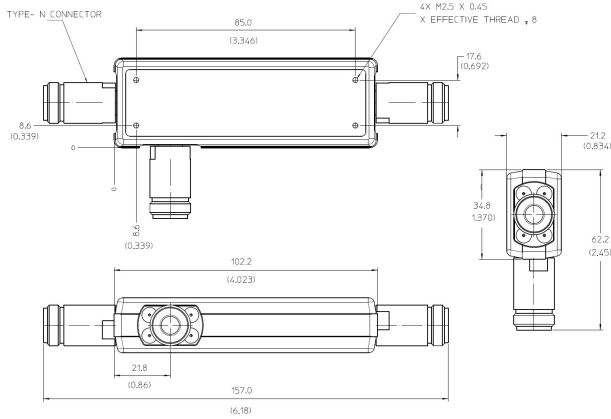


Figure 1. Mechanical dimension for 86205/7A

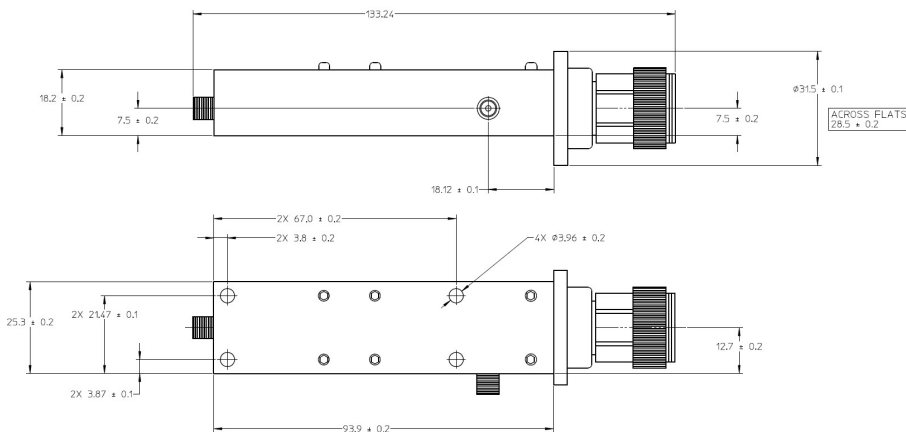


Figure 2. Mechanical dimension for 86205B

[www.agilent.com](http://www.agilent.com)  
[www.agilent.com/find/mta](http://www.agilent.com/find/mta)

For more information on Agilent Technologies' products, applications or services, please contact your local Agilent office. The complete list is available at: [www.agilent.com/find/contactus](http://www.agilent.com/find/contactus)

#### Americas

---

Canada	(877) 894 4414
Brazil	(11) 4197 3500
Mexico	01800 5064 800
United States	(800) 829 4444

#### Asia Pacific

---

Australia	1 800 629 485
China	800 810 0189
Hong Kong	800 938 693
India	1 800 112 929
Japan	0120 (421) 345
Korea	080 769 0800
Malaysia	1 800 888 848
Singapore	1 800 375 8100
Taiwan	0800 047 866
Other AP Countries	(65) 375 8100

#### Europe & Middle East

---

Belgium	32 (0) 2 404 93 40
Denmark	45 70 13 15 15
Finland	358 (0) 10 855 2100
France	0825 010 700*
	*0.125 €/minute
Germany	49 (0) 7031 464 6333
Ireland	1890 924 204
Israel	972-3-9288-504/544
Italy	39 02 92 60 8484
Netherlands	31 (0) 20 547 2111
Spain	34 (91) 631 3300
Sweden	0200-88 22 55
United Kingdom	44 (0) 131 452 0200

*For other unlisted countries:*

[www.agilent.com/find/contactus](http://www.agilent.com/find/contactus)

Revised: June 8, 2011



#### Agilent Email Updates

[www.agilent.com/find/emailupdates](http://www.agilent.com/find/emailupdates)

Get the latest information on the products and applications you select.

Product specifications and descriptions in this document subject to change without notice.

©Agilent Technologies, Inc. 2001, 2005, 2008, 2011

Published in USA, August 12, 2011

5091-3117E



**Agilent Technologies**