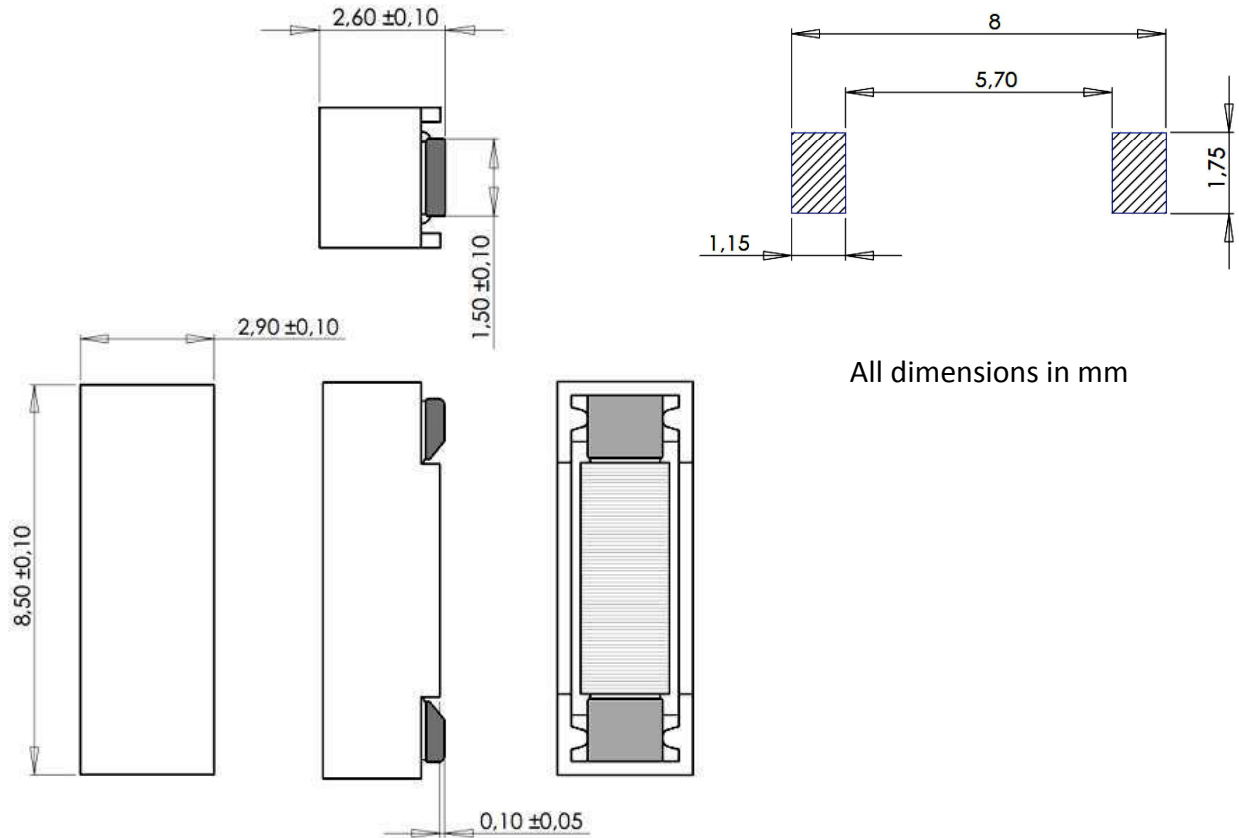
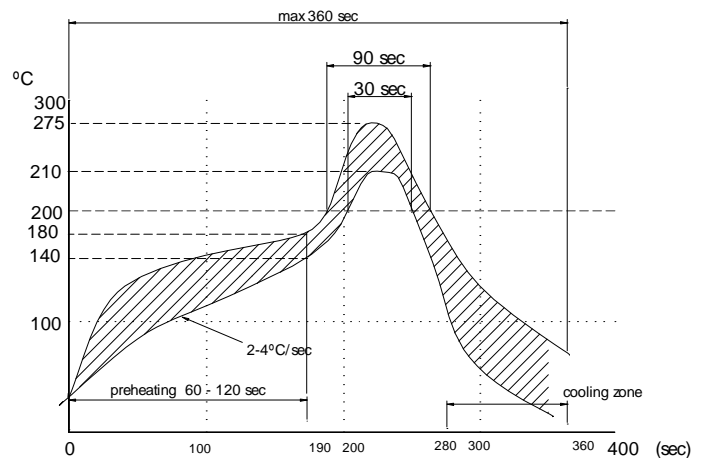


1. Dimensions and Recommended Pad Layout



2. General Specifications. Recommended Reflow Profile

Typical Operating Frequency 125 kHz
Storage Temperature $-40\text{ }^{\circ}\text{C} \rightarrow +125\text{ }^{\circ}\text{C}$
Operating Temperature $-40\text{ }^{\circ}\text{C} \rightarrow +125\text{ }^{\circ}\text{C}$
Lead Free Reflow Profile



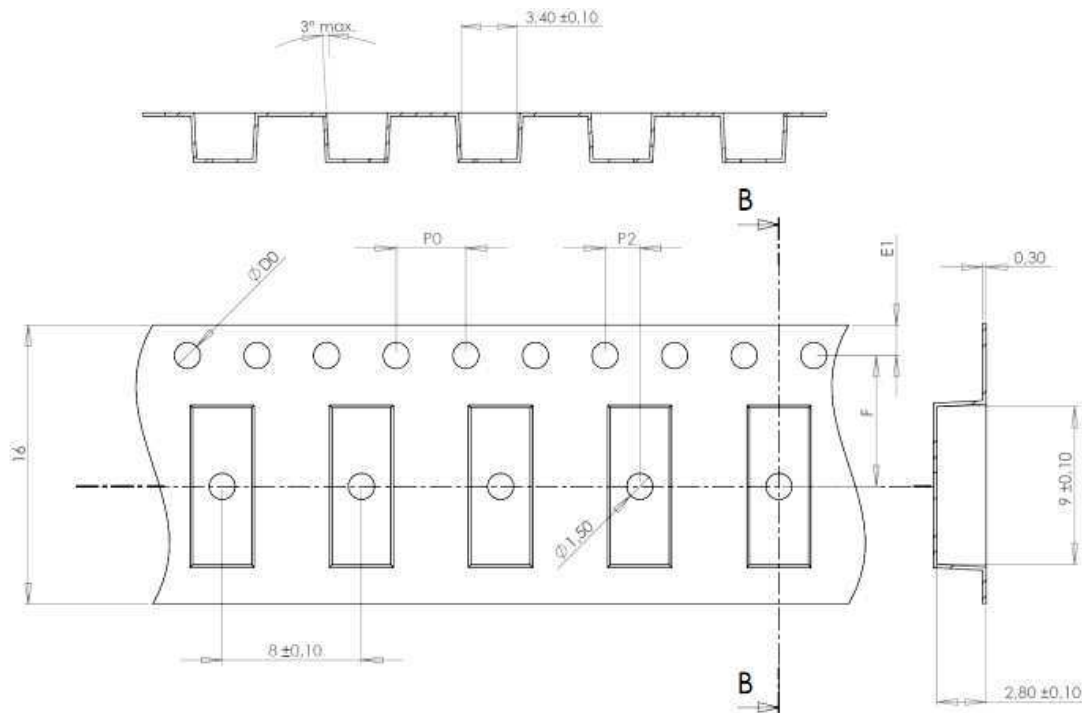
3. Electrical Characteristics

TP0702UCAP

Code	L (mH)	Q min	SRF (kHz) Min	DCR (Ω) Max	Sensitivity (mVpp/App/m) min	Dimensions (mm) Max
TP0702UCAP-0238J	2.38 \pm 5%	30	900	25.3	25	8.6 x 3.0 x 2.7
TP0702UCAP-0491J	4.91 \pm 5%	35	700	38.5	38	8.6 x 3.0 x 2.7
TP0702UCAP-0720J	7.2 \pm 5%	30	500	61.1	50	8.6 x 3.0 x 2.7
TP0702UCAP-0900J	9.0 \pm 5%	30	450	84.7	55	8.6 x 3.0 x 2.7

4. Packaging Information

TAPING SPECIFICATION (According to EIA481)

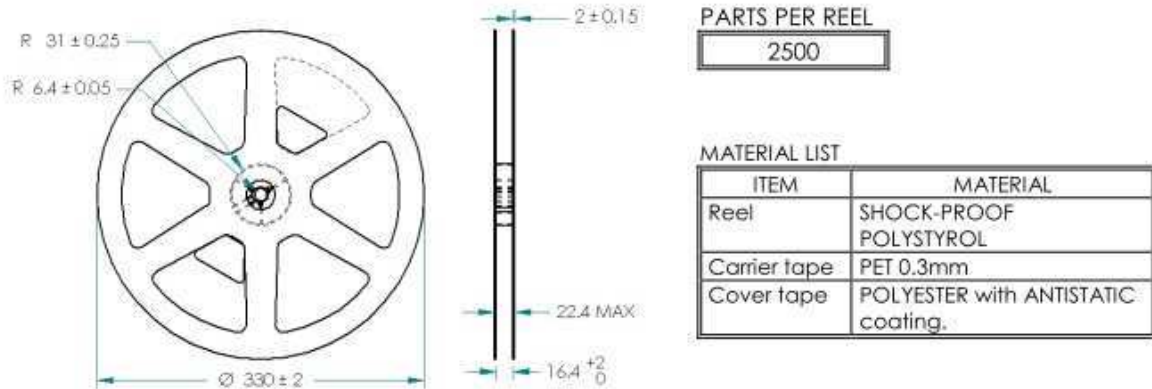


D0	1.5 +0.1 -0.0
E1	1.75 \pm 0.1
P0	4.0 \pm 0.1
P2	2.0 \pm 0.1
F	7.5 \pm 0.1

All Dimensions in mm.
 All curvature radii are
 0.3mm (non detailed)

C/Severo Ochoa 33 - Parque Tecnológico de Andalucía. 29590 Campanillas. Málaga (Spain) Phone +34 951 231 320 Fax +34 951 231 321
E-mail: info@grupopremo.com Web <http://www.grupopremo.com>

REEL

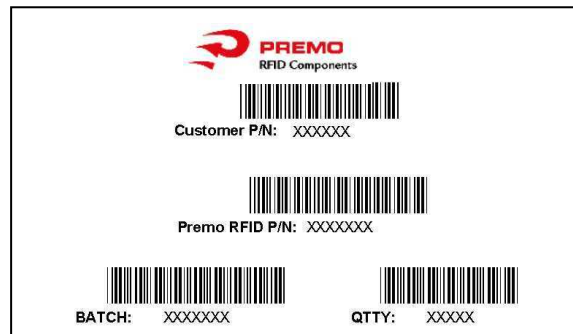


All dimensions in mm

TAPING

5. Labelling

PACKAGE LABELLING



6. Reliability Tests

This part is according to AEC-Q200 Revision D.