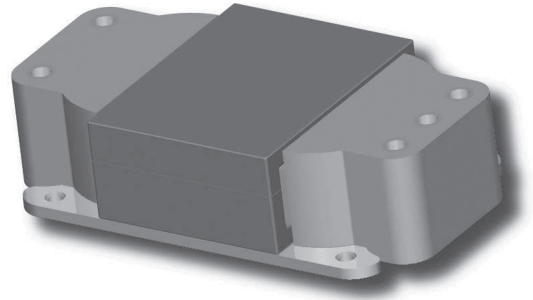


# HPT SERIES

## Features

- High power planar transformers for HV systems
- According AEC-Q200.
- High efficiency (99%).
- Skin and proximity effects reduced.
- Storage temperature from -50°C to 175°C
- Operating temperature from -40°C to 90°C with heat sink dissipation (effective temperature up to 125°C)
- Power module-like assembly.
- Threaded output terminals.
- Very low profile.
- Improved room area less than 100 sq cm.

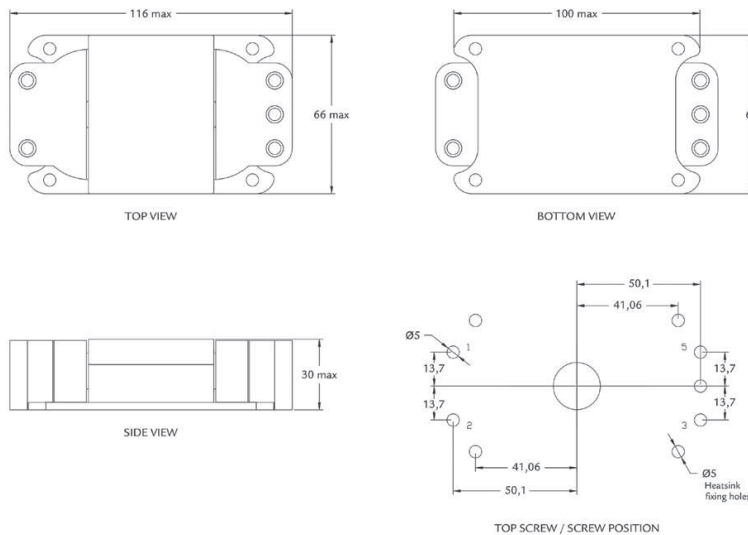


Planar Transformers

## Electrical specifications

Part Number	Input Voltage Vdc (V)	Output Voltage (V)	Output Current (A)	Power (W)	Frequency (kHz)	Duty cycle	Topology	Inductance (±25%)	Leakage Inductance (µH)	Turns Ratio (Pri:Sec)	Max Total losses (W)
HPT-001	70-130	14	120	1700	40	0,42	Full Bridge	9,60µH	1,5	4:1	14
HPT-002	260-420	14	160	2200	100-150	0,45	ZVT Full Bridge	2,94mH	1,5	14:1	18
HPT-003	350-420	420	7,5	3150	100-150	0,46	ZVT Full Bridge	3,84mH	5	16:20	18

## Dimensions



## Electrical Schematics

