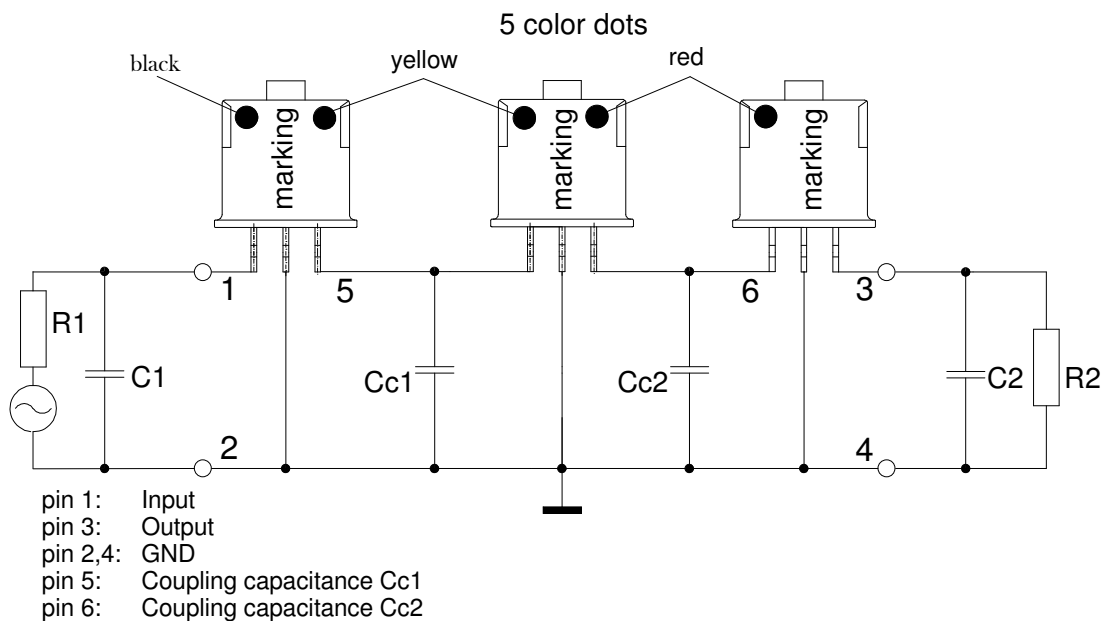
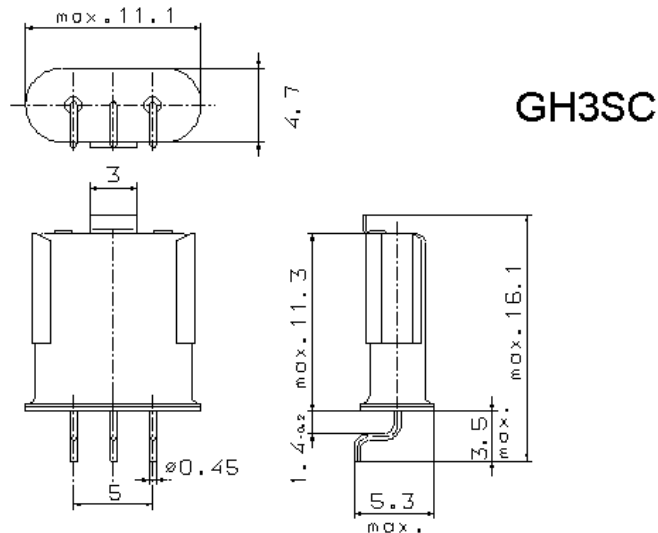


Specification for monolithic crystal filter: **MQF 10.7-2200/15**

1. General

1.1. Package: 3 x GH3SC (each filter consists of 3 pcs. of matched HC49/U-duals)



- | | |
|-----------------------------------|------------------|
| 1.2. Type name: | MQF 10.7-2200/15 |
| 1.3. Number of poles: | 6 |
| 1.4. Operating temperature range: | -40°C to +85°C |
| 1.5. Storage temperature range: | -55°C to +105°C |

2. Electric values

- | | |
|-----------------------------------|----------|
| 2.1. Nominal centre frequency fo: | 10.7 MHz |
|-----------------------------------|----------|

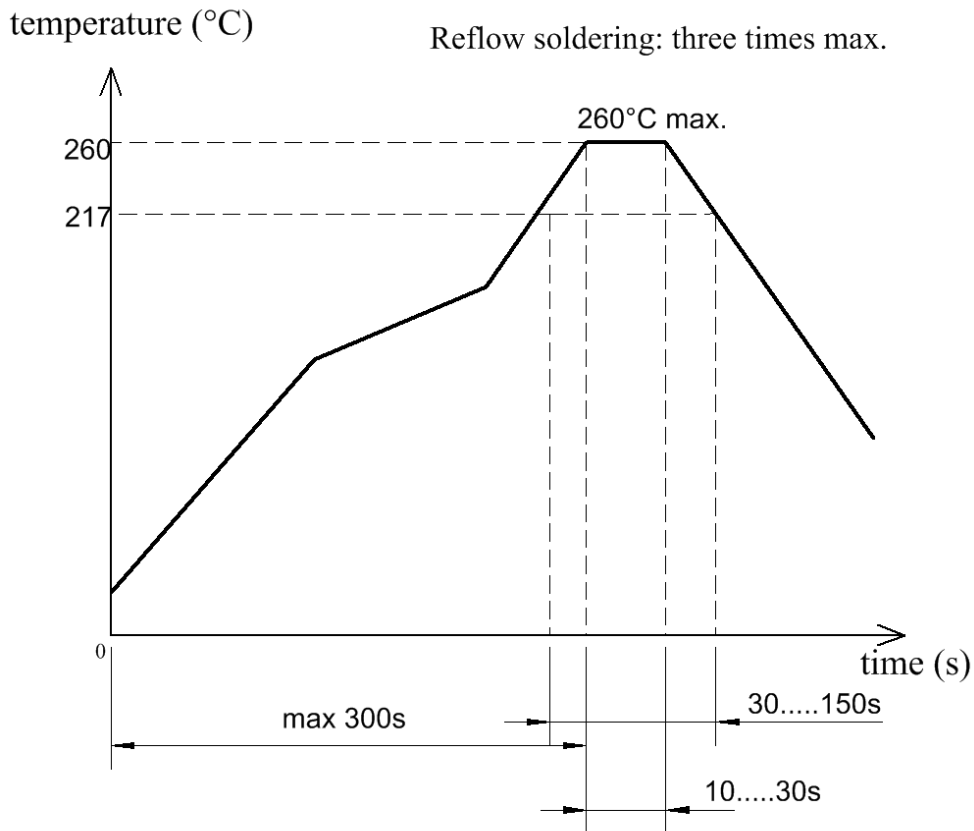
2.2. **Pass band**

- 2.2.1. Bandwidth between 3 dB - frequencies: $\geq f_0 \pm 11.0 \text{ kHz}$
- 2.2.2. Ripple (at $f_0 \pm 8.0 \text{ kHz}$): $\leq 1.0 \text{ dB}$
- 2.2.3. Insertion loss: $\leq 2.0 \text{ dB}$
(measured on smallest attenuation in pass band)

2.3. **Stop band**

- 2.3.1. $f_0 \pm 23 \text{ kHz}$ $\geq 30 \text{ dB}$
 - 2.3.2. $f_0 \pm 32 \text{ kHz}$ $\geq 60 \text{ dB}$
 - 2.3.3. $f_0 \pm 45 \text{ kHz}$ $\geq 80 \text{ dB}$
 - 2.3.4. Alternate attenuation $\geq 80 \text{ dB}$
 - 2.3.5. Spurious responses: $\geq 60 \text{ dB}$
- 2.4. Terminating impedance (input and output): $4800 \Omega // -0.5 \text{ pF}$
- 2.4.1. Coupling capacitances C_{c1}, C_{c2} : 2.0 pF (including all stray capacitances)

- 3. Marking: manufacturer, date code
MQF 10.7-2200/15
- 4. Environment conditions: Vectron MIL standard
- 5. Reflow soldering conditions:



- 6. Packing: T.B.D. after sampling (ESD-protected)