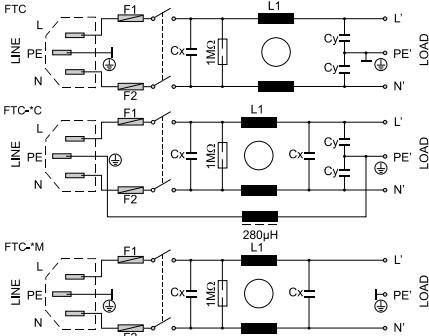


# FTC

## IEC Connector Filter

### Electrical schematics



### IEC connector filter

Compact filter with IEC connector, fuses and switch. High performance single stage filter. ZM: For electromedical applications. ZC: With earth inductor for high immunity level.



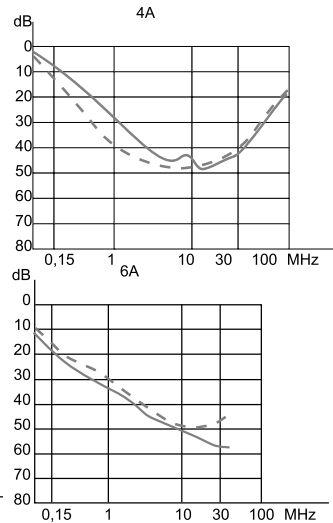
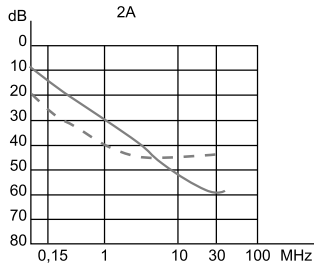
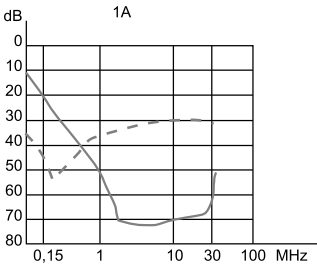
### General Specifications

Maximum operating voltage: 250Vac.  
 Operating frequency: DC - 60Hz.  
 Hipot test voltage: L/N->PE: 1800Vac 2s.  
 (2500Vac for M version)  
 L->N: 1700 Vdc 2s.

Application class: HPF Acc. TO DIN 40040 (-25°C/+85°C/95% RH, 30d).  
 Flammability class: UL 94 V2.

### Insertion Loss

--- ASYM  
 — SYM



### Product List

TYPE	I	L1	CX	CY	HOUSING	L.CURRENT	CONNECTION	WEIGHT ±g
FTC-1Z	1 Amp	7,5 mH					FASTON 6,3mm	250
FTC-2Z	2 Amp	2 mH	220 nF	2,2 nF	249	0,21mA	FASTON 6,3mm	230
FTC-4Z	4 Amp	1 mH					FASTON 6,3mm	220
FTC-6Z	6 Amp	0,45 mH					FASTON 6,3mm	210
FTC-1ZC	1 Amp	7,5 mH	220 nF	2,2 nF	249	0,21mA	FASTON 6,3mm	265
FTC-2ZC	2 Amp	2 mH	220 nF	2,2 nF	249	0,21mA	FASTON 6,3mm	250
FTC-4ZC	4 Amp	1 mH					FASTON 6,3mm	235
FTC-6ZC	6 Amp	0,45 mH					FASTON 6,3mm	220
FTC-1ZM	1 Amp	7,5 mH					FASTON 6,3mm	240
FTC-2ZM	2 Amp	2 mH	220 nF	-	249	5µA	FASTON 6,3mm	220
FTC-4ZM	4 Amp	1 mH					FASTON 6,3mm	210
FTC-6ZM	6 Amp	0,45 mH					FASTON 6,3mm	200

RFI Power Line Filters