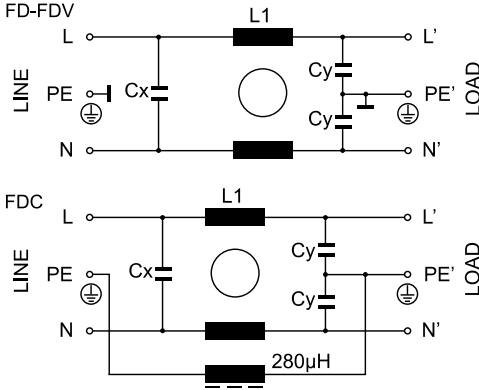


# FD/FDC/FDV

## IEC Connector Filter

### Electrical schematics



RFI Power Line Filters

### General Specifications

Maximum operating voltage: 250Vac.  
 Operating frequency: DC - 60Hz.  
 Hipot test voltage: L/N->PE: 1800Vac 2s.  
 L->N: 1700 Vdc 2s.

Application class:  
 HPF Acc. TO DIN 40040  
 (-25°C/+85°C/95% RH, 30d).  
 Flammability class: UL 94 V2.

### IEC connector filter

IEC connector filter. General purpose.  
 FD: IEC connector filter.  
 FDC: With earth inductor. High immunity.  
 FDV: With voltage protection.

### Product List

| TYPE   | I     | L1     | CX    | CY     | HOUSING | L.CURRENT | CONNECTION   | WEIGHT<br>±g |
|--------|-------|--------|-------|--------|---------|-----------|--------------|--------------|
| FD-1X  | 1 Amp | 2 mH   | 10 nF | 2,2 nF | 242     | 0,21mA    | AWG18 WIRE   | 62           |
| FD-1Z  |       |        |       |        | 241     |           | FASTON 6,3mm | 50           |
| FD-3X  | 3 Amp | 1,3 mH | 10 nF | 2,2 nF | 242     | 0,21mA    | AWG18 WIRE   | 52           |
| FD-3Z  |       |        |       |        | 241     |           | FASTON 6,3mm | 51           |
| FD-6X  | 6 Amp | 0,8 mH | 10 nF | 2,2 nF | 242     | 0,21mA    | AWG18 WIRE   | 62           |
| FD-6Z  |       |        |       |        | 241     |           | FASTON 6,3mm | 55           |
| FDC-1X | 1 Amp | 2 mH   | 10 nF | 2,2 nF | 244     | 0,21mA    | AWG18 WIRE   | 110          |
| FDC-1Z |       |        |       |        | 243     |           | FASTON 6,3mm | 100          |
| FDC-3X | 3 Amp | 1,3 mH | 10 nF | 2,2 nF | 244     | 0,21mA    | AWG18 WIRE   | 102          |
| FDC-3Z |       |        |       |        | 243     |           | FASTON 6,3mm | 92           |
| FDC-6X | 6 Amp | 0,8 mH | 10 nF | 2,2 nF | 244     | 0,21mA    | AWG18 WIRE   | 120          |
| FDC-6Z |       |        |       |        | 243     |           | FASTON 6,3mm | 110          |
| FDV-1X | 1 Amp | 2 mH   | 10 nF | 2,2 nF | 244     | 0,21mA    | AWG18 WIRE   | 110          |
| FDV-1Z |       |        |       |        | 243     |           | FASTON 6,3mm | 100          |
| FDV-3X | 3 Amp | 1,3 mH | 10 nF | 2,2 nF | 244     | 0,21mA    | AWG18 WIRE   | 102          |
| FDV-3Z |       |        |       |        | 243     |           | FASTON 6,3mm | 92           |
| FDV-6X | 6 Amp | 0,8 mH | 10 nF | 2,2 nF | 244     | 0,21mA    | AWG18 WIRE   | 120          |
| FDV-6Z |       |        |       |        | 243     |           | FASTON 6,3mm | 110          |

### Insertion Loss

