

CWP/CWL Series

High Precision 50 Hz KWh-meter Current Transformer

Current Transformers

Features

- Negligible amplitude error due to low core losses.
- Reduced phase error due to simple electronic calibration.
- Improved stability of the permeability across the entire temperature range.
- Reduced core size or number of windings.
- Frequency 50/60 Hz.
- Operating temperature from -40° C to 85° C.



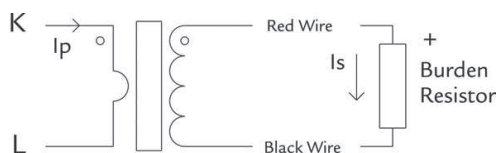
Product List

Part Number for pins	Part number for lead wire	IP (ARMS)	IPMax (ARMS)	IDCMax (ADC)	Phase error tan Φ (°)	Burden RB (Ω)	Burden voltage VB (VRMS)	Centre hole Φ (mm)
CWP-0061 B1	CWL-0061 C1	0.10 - 6	6	-	< 0.5	125.0	0.3	6/7
CWP-0062 B1 (*)	CWL-0062 C1 (*)	0.10 - 6	6	-	< 0.6	100.0	0.3	6/7
-	CWL-0201 A1	0.25 - 20	79	-	< 0.3	37.5	0.3	5
-	CWL-0202 A1	0.25 - 20	135	36	< 4	37.5	0.3	5
-	CWL-0601 A2	0.50 - 60	83	-	< 0.2	12.5	0.3	7
CWP-0600 B2	CWL-0602 A2	0.50 - 60	270	80	< 3.7	12.5	0.3	8.5/7
-	CWL-1001 A3	1 - 100	176	-	< 0.15	7.5	0.3	10
CWP-1000 B3	CWL-1002 A3	1 - 100	345	113	< 5	7.5	0.3	11.5/9.5

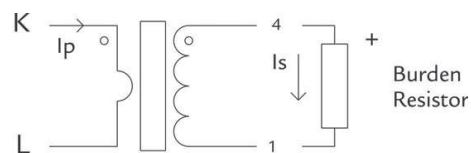
Notes:

- Nsec = 2500 *Nsec = 2000
- Ip primary-current range.
- Ipmx max. permissible AC-primary current without saturation.
- IDCmax max. DC-current value without saturation for class 1-counter (IEC 1036).
- tan F max. phase error concerning of Ip.
- RB burden resistance for 0.3V signal voltage at Ipmx.
- VB burden voltage RB during max Ip.
- Linearity better than <0.3% between 0.1A to Ip.
- Amplitude error better than 1%.
- Values in product list are referenced to 50 Hz measurements.
- Dielectric strenght 2500 Vac/50 Hz/1 min.
- Contact us for further technical data.

Test Circuit and Electrical Schematic



FOR A AND C HOUSING



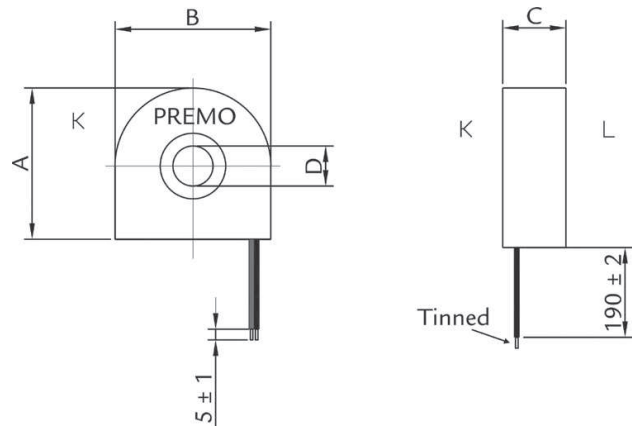
FOR B HOUSING

CWP/CWL Series

High Precision 50 Hz KWh-meter Current Transformer

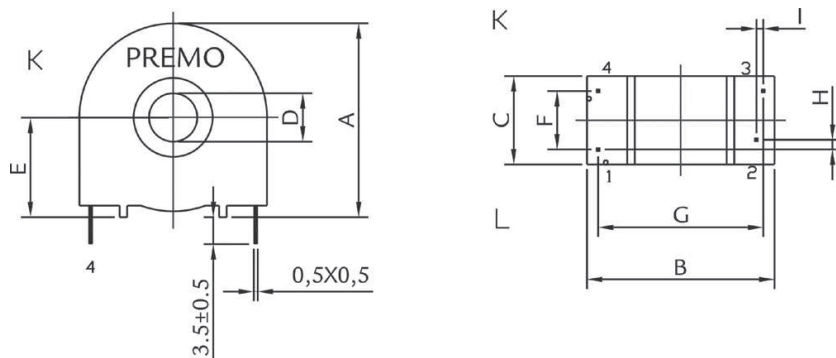
Dimensions for A housing

Type	A (MAX)	B (MAX)	C (MAX)	D (MIN)
A1	30.5	29.0	15	5.0
A2	31.5	31.5	15	8.0
A3	35.0	35.0	19	9.0



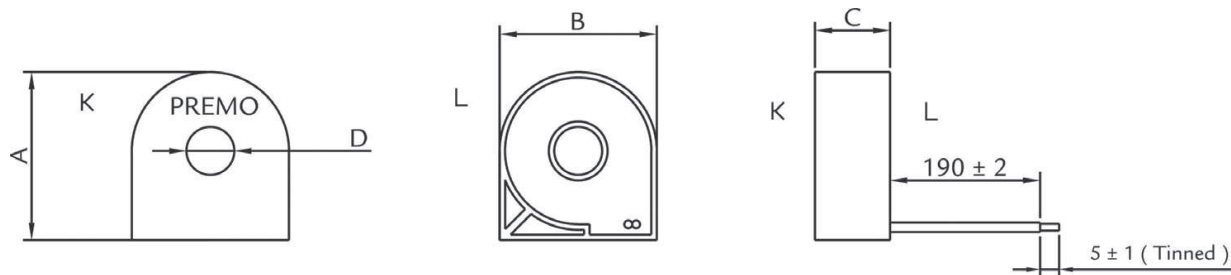
Dimensions for B housing

Type	A (MAX)	B (MAX)	C (MAX)	D (MIN)	E (± 0.1)	F (± 0.1)	G (± 0.1)	H (± 0.1)	I (± 0.1)
B1	25.5	25.5	12.0	6.0	13.0	7.62	21.59	1.27	0.00
B2	31.5	32.0	15.0	8.0	16.0	10.00	25.50	2.54	2.54
B3	34.5	34.5	15.0	11.5	17.3	10.16	27.94	2.54	2.54



Dimensions for C housing

Type	A (MAX)	B (MAX)	C (MAX)	D (MIN)
C1	25.0	23.5	11.5	7.0



Tolerances ± 0.1 unless otherwise noted.
Dimensions in mm.