

# CS Series

## SMD Current Transformer Up to 15A

### Features

- Designed for switching power supply applications.
- Low profile and self leaded, surface mount.
- UL94-V0 Plastic material.
- Taped & Reeled according to EIA 481.
- Less than 8mm height.
- Up to 15 Arms primary current.
- Storage temperature -30° to 130° C.
- Operating temperature from -20° to 105° C.



Current Transformers

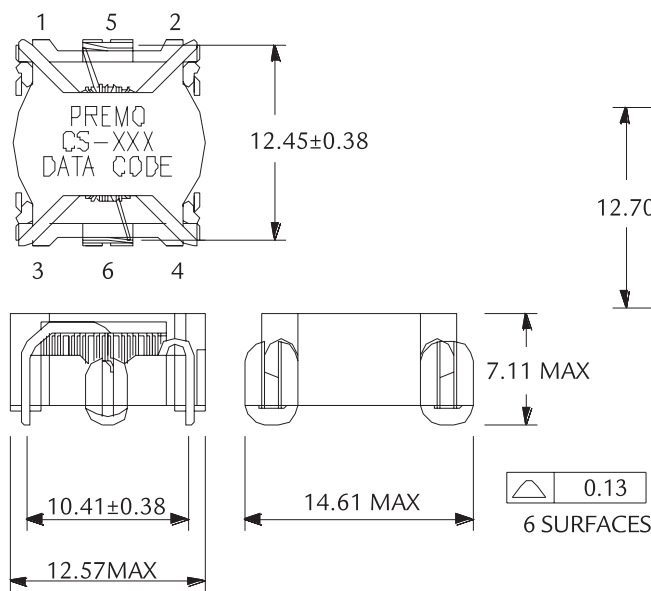
### Product List

Part Number	I <sub>p</sub> (Arms)	RB (Ω)	L <sub>s</sub> (mH Min)	Sec R <sub>cu</sub> (Ω Max)	Turns (N <sub>s</sub> )
CS - 050	15	25	4.6	0,3	50
CS - 100	15	50	18.5	0,8	100
CS - 200	15	100	74*	2,8	200

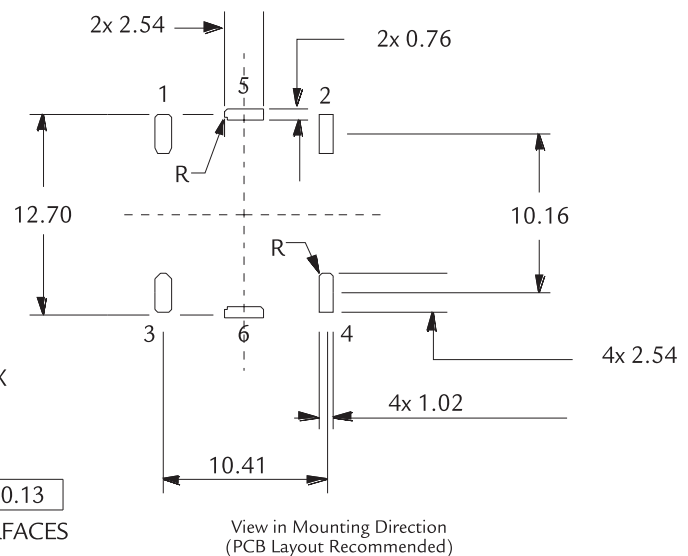
### Notes:

- Inductance is mesured at 100 KHz, 20 mVrms. \*10 KHz, 60 mVrms.
- Hipot is 500 Vrms, measured at 50 Hz, 2 seconds.
- I, R<sub>t</sub> are reference values only.
- Reference values are for the one turn winding connected in parallel for unipolar operation at 200 KHz.

### Dimensions



### Footprint



### Schematics

