

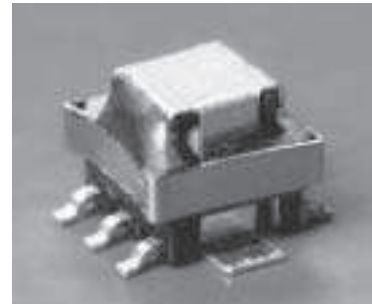
CM Series

SMD Current Transformer Up to 6A

Current Transformers

Features

- Designed for switching power supply applications.
- Nominal primary current 6 A rms.
- Low profile: 4.9mm height.
- Pick and place mounting.
- Frequency range above 100KHz.
- Taped & Reeled.
- Operating temperature from -25° C to 105° C.



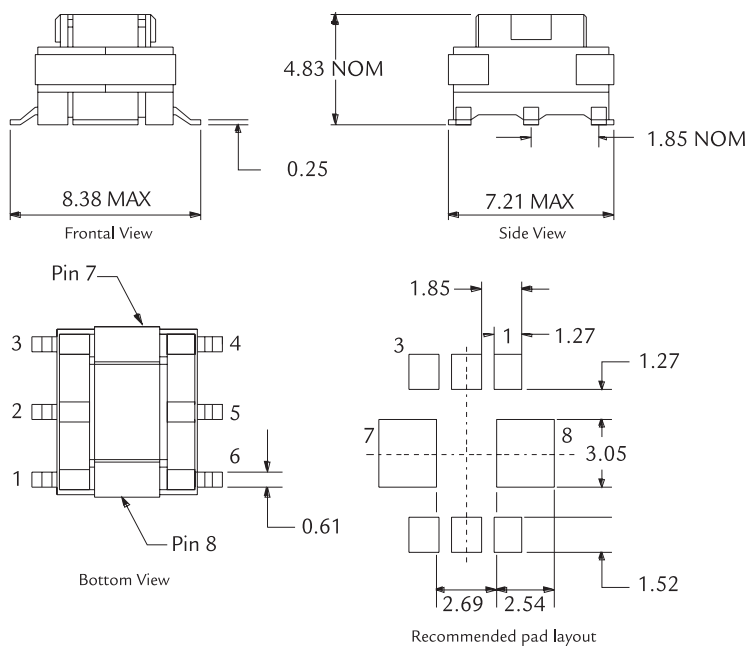
Product List

Part Number	Turns Ratio	Ls min (µH)	Sec Rcu (Ω Max)	Load Resistor RB (Ω)
CM - 020	1 : 20	75	0.55	3.33
CM - 030	1 : 30	170	0.87	5.00
CM - 040	1 : 40	300	1.14	6.67
CM - 050	1 : 50	470	1.50	8.33
CM - 060	1 : 60	675	1.75	10.00
CM - 070	1 : 70	920	4.75	11.67
CM - 100	1 : 100	1875	5.50	16.67
CM - 125	1 : 125	3000	6.50	20.83

Notes:

- Inductance at 0.1 Vac, 10KHz.
- Terminating resistor for 1 V out with 6 amps AC in the primary.
- Reverse polarity parts are available for all turns ratios: (CM-020R / CM-125R).
- Hipot is 500 Vrms / 50 Hz / 2 seconds.
- Ls: Secondary inductance.

Dimensions



Schematics

