

# CV/CH Series

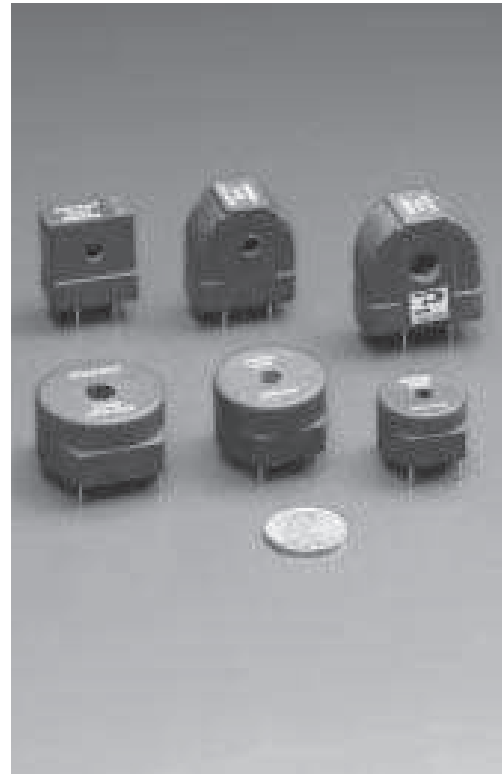
## SMPS High Isolation (2500V min) Current Transformers

### Features

- Designed for switching power supply application.
- Wide range of housings.
- Cases made of UL94-V0 material.
- Insulation 2.5 KVac.
- Typical Frequency range 10 KHz ~ 200 KHz.
- Storage temperature from - 20° C to 100° C.
- Operating temperature from - 20° to 85° C.

### Product List

| Part Number | Prim/Sec Ratio | I <sub>pn</sub> (ARMS) | Sec Ls (mH Min) | Sec Rcu (Ω Max) | V x τ (VμS Max) |
|-------------|----------------|------------------------|-----------------|-----------------|-----------------|
| CV1 - 050   | 1/50           | 15                     | 7.5             | 0.30            | 175             |
| CV1 - 100   | 1/100          | 15                     | 30              | 0.70            | 350             |
| CV1 - 200   | 1/200          | 15                     | 120             | 4               | 700             |
| CV2 - 050   | 1/50           | 25                     | 8               | 0.30            | 300             |
| CV2 - 100   | 1/100          | 25                     | 35              | 0.80            | 600             |
| CV2 - 200   | 1/200          | 25                     | 140             | 3.80            | 1200            |
| CV3 - 050   | 1/50           | 40                     | 8               | 0.20            | 500             |
| CV3 - 100   | 1/100          | 40                     | 33              | 0.50            | 1000            |
| CV3 - 200   | 1/200          | 40                     | 135             | 3               | 2000            |
| CV4 - 050   | 1/50           | 55                     | 12              | 0.20            | 700             |
| CV4 - 100   | 1/100          | 55                     | 45              | 0.60            | 1400            |
| CV4 - 200   | 1/200          | 55                     | 180             | 2               | 2800            |
| CH2 - 050   | 1/50           | 25                     | 8               | 0.30            | 300             |
| CH2 - 100   | 1/100          | 25                     | 35              | 0.80            | 600             |
| CH2 - 200   | 1/200          | 25                     | 120             | 4.2             | 1200            |
| CH3 - 050   | 1/50           | 40                     | 8               | 0.20            | 500             |
| CH3 - 100   | 1/100          | 40                     | 33              | 0.50            | 1000            |
| CH3 - 200   | 1/200          | 40                     | 135             | 3               | 2000            |
| CH4 - 050   | 1/50           | 55                     | 12              | 0.20            | 700             |
| CH4 - 100   | 1/100          | 55                     | 45              | 0.60            | 1400            |
| CH4 - 200   | 1/200          | 55                     | 180             | 2               | 2800            |

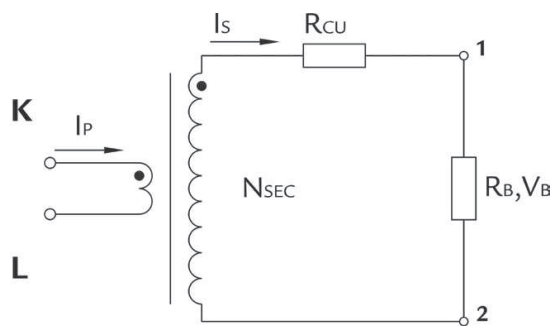


Current Transformers

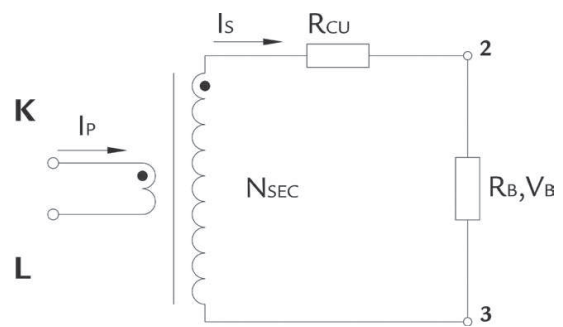
### Notes

- LS: Secondary inductance 10KHz / 10 mV.
- $V_B \times \tau = V = R_B \times I_s \quad \tau = 1/2F$
- I<sub>P</sub> (A): Primary current.
- I<sub>S</sub> (A): Secondary current.
- R<sub>B</sub> (Ω): Load resistance.
- F (Hz): Switching frequency.
- R<sub>cu</sub> (Ω): Secondary winding DCR.

### Test Circuit



CH series



CV series

# CV/CH Series

## SMPS High Isolation (2500V min) Current Transformers

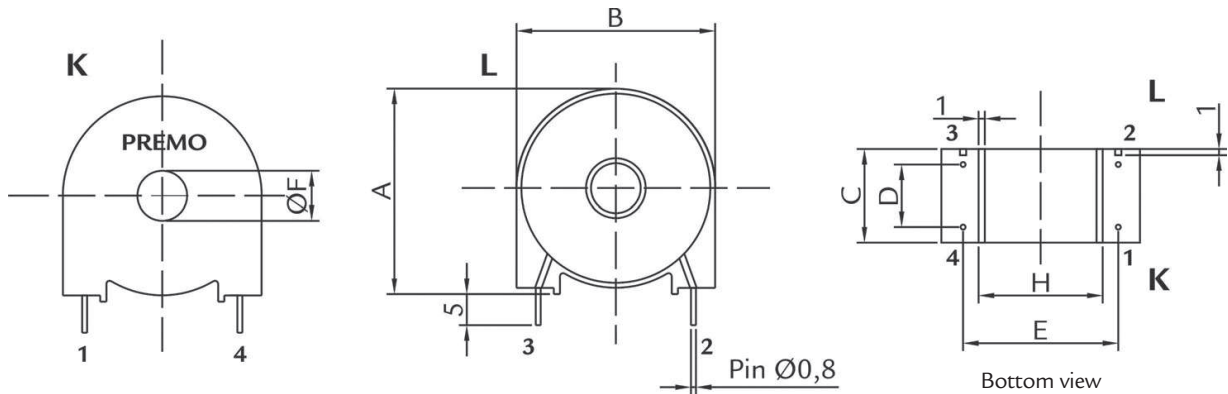
Current Transformers

### Product List CV Serie

| Type | A    | B  | C    | D   | E    | F |
|------|------|----|------|-----|------|---|
| CV1  | 20   | 18 | 10.5 | 5   | 15   | 5 |
| CV2  | 25.5 | 23 | 12.5 | 7.5 | 17.5 | 5 |
| CV3  | 29.5 | 27 | 15   | 10  | 22.5 | 6 |
| CV4  | 33.5 | 32 | 15   | 10  | 25   | 8 |

Dimensions in mm.  
Tolerances  $\pm 0.1$  unless otherwise noted.

### Dimensions



### Product List CH Serie

| Type | A  | B  | C    | D  | E    | F |
|------|----|----|------|----|------|---|
| CH2  | 23 | 22 | 15   | 20 | 12.5 | 5 |
| CH3  | 28 | 28 | 17.5 | 25 | 15   | 6 |
| CH4  | 33 | 32 | 17.5 | 30 | 20   | 8 |

Dimensions in mm.  
Tolerances  $\pm 0.1$  unless otherwise noted.

### Dimensions

