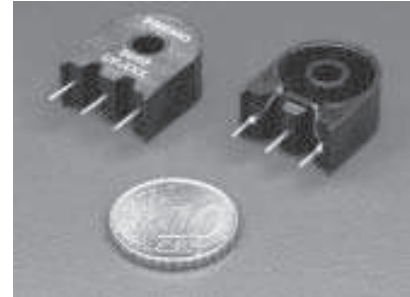


CF Series

PTH SMPS Current Transformer Up to 15A

Features

- Specially designed for current-mode feedback in PWM switched mode power supplies and converters.
- Fully encapsulated in Polyurethane according to UL94 V0.
- Frequency range from 5 - 200 KHz.
- Isolation Primary to Secondary 2750 Vac.
- Extended isolation to full IEC 60950 standard available on request.
- Maximum primary current 15 A rms.
- Operating temperature from -20° C to 85° C.



Current Transformers

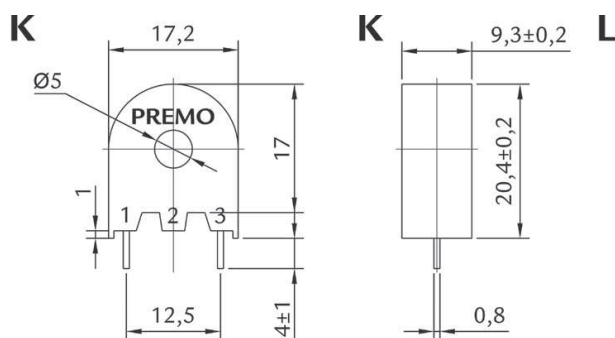
Product List

Part Number	Prim/Sec Ratio	I _p (ARMS Max)	Sec L (mH Min)	Sec R _{cu} (Ω Max)	V x τ (Max)
CF 050	1/50	15	5.0	0.65	175 VμS
CF 100	1/100	15	22.0	1.30	350 VμS
CF 200	1/200	15	94.5	4.50	700 VμS

Notes:

L: Inductance: (1-3) tested at 10 KHz & 10 mV
 V x t: V = R_B x I_s t = 1/2F
 I_P (A): Primary current
 R_B (W): Recommended Terminating Resistance
 I_s (A): Secondary current
 F (Hz): Frequency

Dimensions



Test Circuit and Schematics

