

Specification for monolithic crystal filter: **QF 5.3125-0600/06**

**1. General**

1.1. Package:

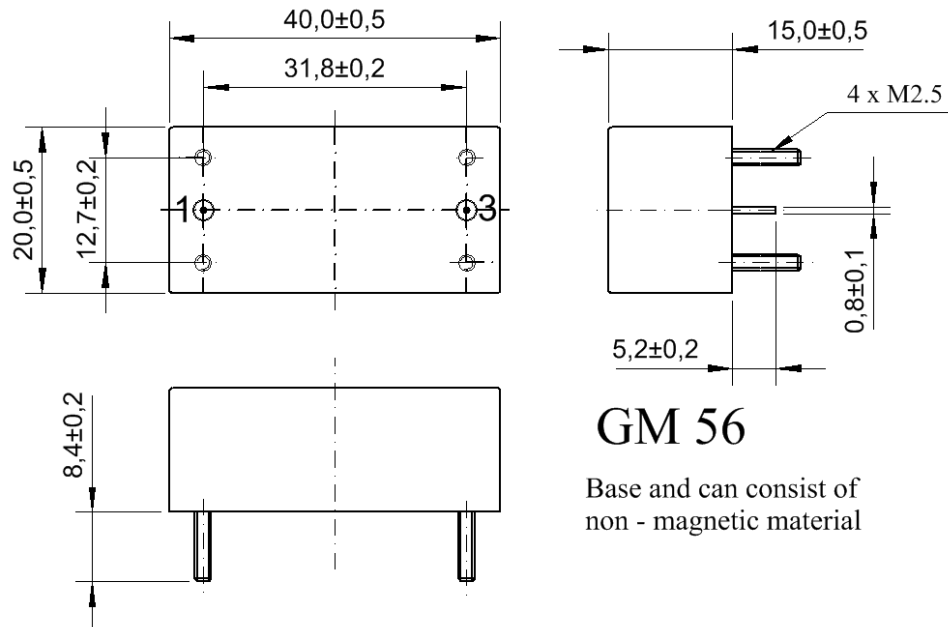
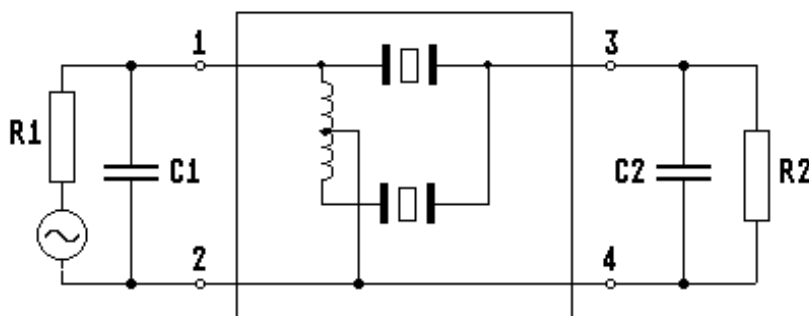


Plate materials: Ni / Au  
Ni: 4.0-8.0  $\mu\text{m}$   
Au: 0.05-0.1  $\mu\text{m}$



- |                                   |                   |
|-----------------------------------|-------------------|
| 1.2. Type name:                   | QF 5.3125-0600/06 |
| 1.3. Number of poles:             | 4                 |
| 1.4. Operating temperature range: | -20°C to +70°C    |
| 1.5. Storage temperature range:   | -30°C to +85°C    |
| 1.6. Weight:                      | 34g $\pm$ 10%     |

**2. Electric values**

- |   |                |
|---|----------------|
| 2.1. Nominal centre frequency $f_0$ :                           | 5.3125 MHz     |
| 2.2. Drift of Centre frequency in operation temperature range : | < $\pm$ 100 Hz |

## 2.2. Pass band

- 2.2.1. Bandwidth between 3 dB - frequencies:  $> f_0 \pm 3.0 \text{ kHz}$   
2.2.2. Bandwidth between 1 dB - frequencies:  $> f_0 \pm 1.5 \text{ kHz}$   
2.2.3. Ripple ( peak to peak )  $< 1.0 \text{ dB}$  within  $f_0 \pm 1.2 \text{ kHz}$   
2.2.4. Insertion loss:  $< 4.0 \text{ dB}$   
( measured on smallest attenuation in pass band )

## 2.3. Stop band

- 2.3.1.  $f_0 \pm 15 \text{ kHz}$   $> 50 \text{ dB}$   
2.3.2. Alternate attenuation (  $f_0 \pm 1.0 \text{ MHz}$  ):  $> 70 \text{ dB}$   
2.3.3. Spurious responses:  $> 50 \text{ dB}$

- 2.4. Terminating impedance ( input and output ):  $50 \Omega // 0 \text{ pF}$   
2.5. Nominal / maximum input power level:  $0 / +20 \text{ dBm}$

## 3. Marking:

### Top view

VI YYWW serial number  
IN  
QF 5.3125-0600/06

4. Environment conditions according to Vectron MIL standard  
5. Mean time between failures ( MTBF ) corr. to IEC 60050 (191)  $> 12 \text{ years}$

---

Edited by: \_\_\_\_\_ date: \_\_\_\_\_ name: \_\_\_\_\_