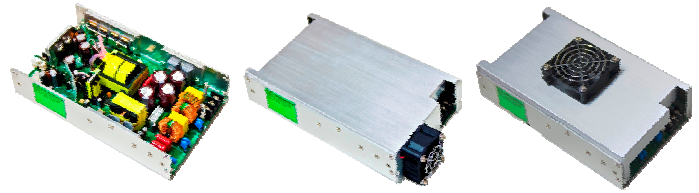


FEATURES

- 90~264 VAC Universal Input
- 0.9 to 0.95 Power Factor
- 360W with Forced Air or 270W @ Convection Cooling
- +5V Standby Power
- Power Good Signal, Remote Sense, Remote On/Off
- Optional Current Share



ELECTRICAL SPECIFICATIONS

Input Voltage	90~264 VAC
Input Frequency	47~63 Hz
Input Current	4.5A (rms) max. @ 115 VAC, 2.25A (rms) max. @ 230 VAC
Inrush Current	25A max. @ 115 VAC, 50A max. @ 230 VAC at cold start +25°C
Earth Leakage Current	300 µA max. @ 264 VAC, 63 Hz
Power Factor	>0.95 @115 VAC, >0.9 @230 VAC
Output Power Ratings	See table
Output Voltage Regulation ..	±5%
Ripple and Noise	See table
+5V Standby Power	0.25A @ convection, or 1A @ 15 CFM forced air cooling
Remote Inhibit	Requires an external TTL high level signal to inhibit the output
Current Share Option	Single wire, up to 4 units can be connected in parallel within 10% accuracy at full load

STANDARDS & COMPLIANCES

EMC Standards	EN55011, FCC Class B
Safety Standards	UL/IEC/EN 60601-1 3rd Edition, ANSI/AAMI ES 60601-1: 2005, CAN/CSA C22.2 No. 60601-1:08
Agency Approvals	CSA, CUS, TUV, CE, CB, FCC
Other Compliance	RoHS

MODELS LIST

Product No. ⁽¹⁾	Output Voltage	Min. Load	Max. Load ⁽²⁾		Output Regulation	Ripple & Noise (Vp-p) ⁽³⁾	Max. Output Power
			@ Convection	@ 15 CFM			
TWM360-12	+12V	0A	22.5A	30A	±5%	120mV	270W / 360W
TWM360-24	+24V	0A	11.25A	15A	±5%	240mV	270W / 360W
TWM360-30	+30V	0A	9A	12A	±5%	300mV	270W / 360W
TWM360-36	+36V	0A	7.5A	10A	±5%	360mV	270W / 360W
TWM360-48	+48V	0A	5.63A	7.5A	±5%	480mV	270W / 360W
TWM360-54	+54V	0A	5A	6.67A	±5%	540mV	270W / 360W
TWM360-57	+57V	0A	4.74A	6.32A	±5%	570mV	270W / 360W

Notes:

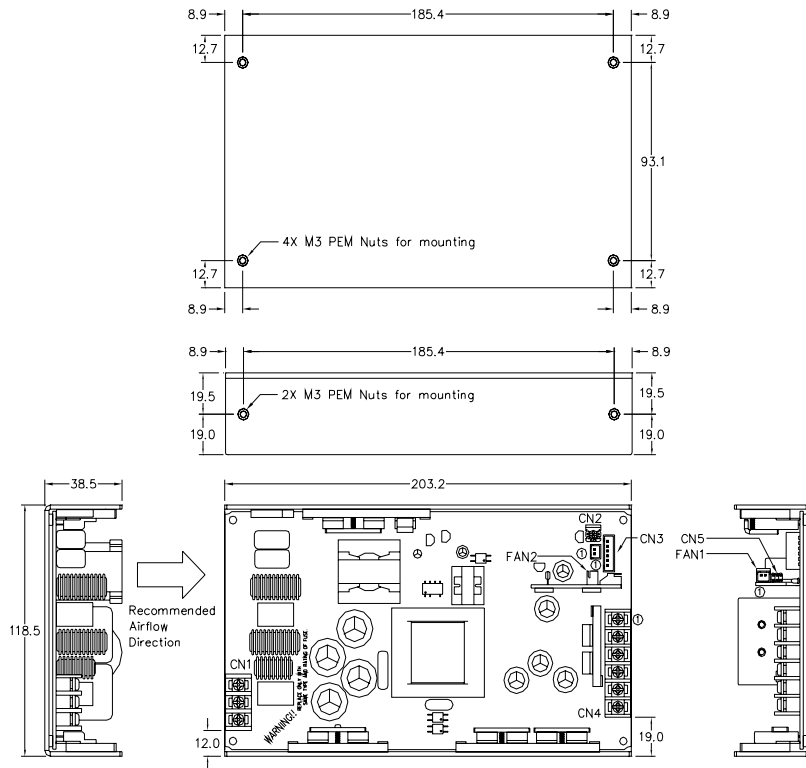
1. Standard form factor is U-Bracket. For enclosed unit with end fan, add suffix "E"; For enclosed unit with top fan, add suffix "T"; For unit with "current share" option, add suffix "D".
2. 15 CFM forced air is required to load the U-Bracket unit up to 360W. Without forced air, U-Bracket unit can operate at 270W @ +40°C ambient maximum.
3. R&N are measured at 20 MHz bandwidth with a 10µF electrolytic capacitor and with a 0.1µF ceramic capacitor in parallel.

GENERAL SPECIFICATIONS

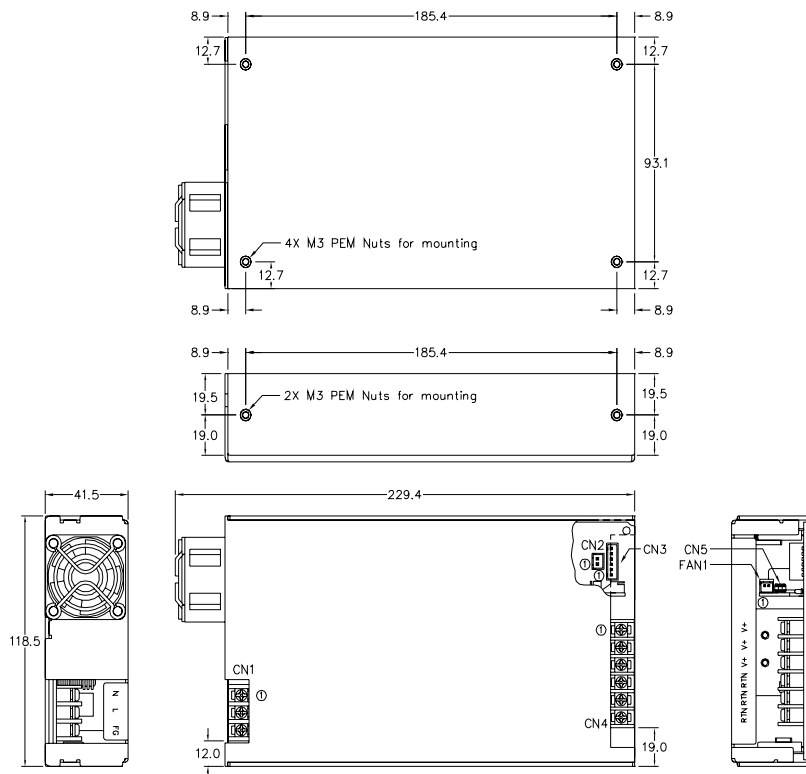
Efficiency	>83% at full load, 115 VAC
Switching Frequency	80 KHz
Hold-up Time	>20 ms at 115 VAC, 360W load
Operating Temperature	0°C to +70°C
Derating	Derate from 100% at +40°C linearly to 50% at +70°C
Temperature Coefficient	±0.04%/°C
Operating Humidity	10% to 95% non-condensing
Short-Circuit Protection	Auto-recovery
Overload Protection	Set at 110% to 160% of the maximum rating, Auto-recovery
Overvoltage Protection	Set at 130% maximum of the nominal output voltage
Withstand Voltage	4,000 VAC from input to output, 1,500 VAC from input to ground, 500 VAC from output to ground
MTBF	>100K hours at full load and 25°C ambient temperature calculated per MIL-HDBK-217F

MECHANICAL SPECIFICATIONS (Unit: mm)

U-Bracket (Standard)

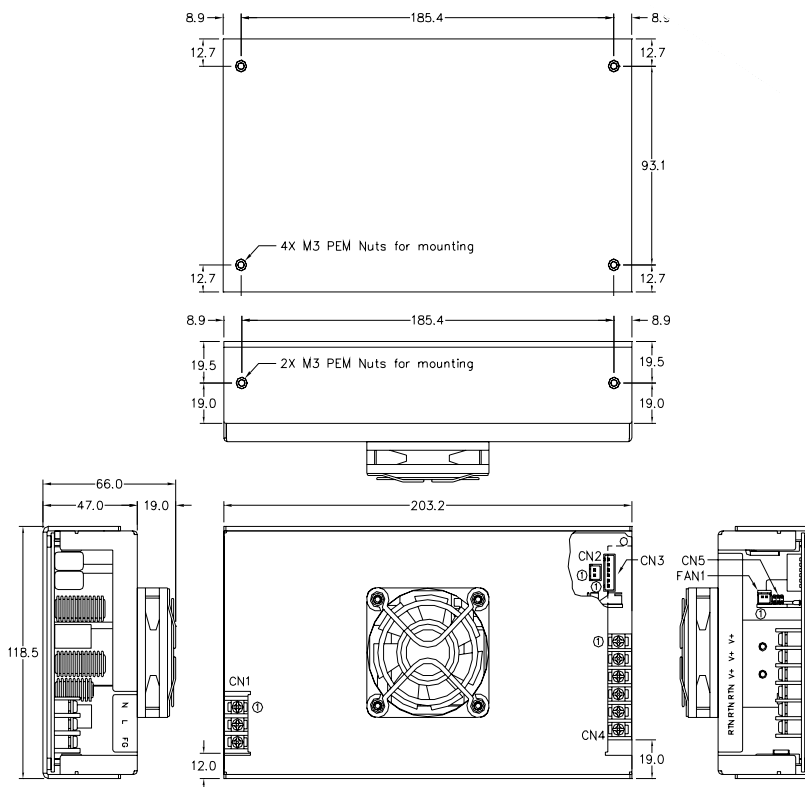


Enclosed with End Fan (Suffix "E")



MECHANICAL SPECIFICATIONS (Unit: mm)

Enclosed with Top Fan (Suffix "T")



INPUT & OUTPUT CONNECTORS

CN1: Input Connector

3-Pole Terminal block pitch: 8.25mm rate 20A/300V

Pin #	Signal
1	AC Neutral
2	AC Line
3	F.G.

CN2: +5VSB Output Connector

JST B2B-XH-A pitch:2.5mm or equivalent, mates with female housing JST XHP-2 or equivalent

Pin #	Signal
1	+5VSB
2	GND

CN4: Main Output Connector

6-Pole Terminal block pitch: 8.25mm rate 20A/300V

Pin #	Signal
1	+Vo
2	+Vo
3	+Vo
4	RTN
5	RTN
6	RTN

INPUT & OUTPUT CONNECTORS

CN3: Remote Sense Connector

JST B6B-XH-A pitch: 2.5mm or equivalent, mates with female housing JST XHP-6 or equivalent

Pin #	Signal
1	Sense +
2	Sense -
3	+5VSB
4	GND
5	INHIBIT (Remote control)
6	Current Share

INHIBIT: Logic level HIGH(+5V): Enable, Logic level LOW: Disable(0V)

FAN1: Fan Output Connector

JST S2B-XH-A pitch: 2.5mm or equivalent, mates with female housing JST XHP-2 or equivalent

Pin #	Signal
1	+12VDC FAN+
2	+12VDC FAN-

FAN2: Fan Output Connector

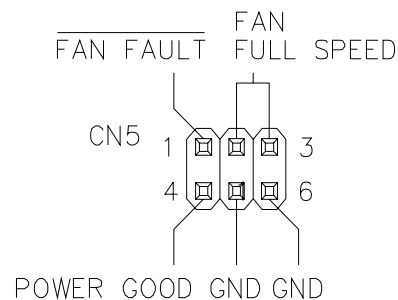
JST B2B-XH-A pitch: 2.5mm or equivalent, mates with female housing JST XHP-2 or equivalent

Pin #	Signal
1	+12VDC FAN+
2	+12VDC FAN-

CN5: Fan control & Power Good Signal Connector

Pitch: 2.54x2.54mm dual row 3x2 contacts

Pin #	Signal
1	FAN FAULT
2, 3	FAN FULL SPEED
4	POWER GOOD
5	GND
6	GND



FAN FAULT: Fan status indication, Fan Good: Logic level HIGH(+5V), Fan Fault: Logic level LOW(0V)

FAN FULL SPEED: Short these 2 pins (#2 and #3) with mini-jumper to get highest fan speed

POWER GOOD: Power Good: Logic level HIGH(+5V), Power Fault: Logic LOW(0V)