

**FEATURES**

- 150W in 2" X 4" Footprint
- 90~264 VAC Universal Input
- Efficiency Higher Than 85%
- Power Factor > 0.9
- Open Frame and U-Channel Available

**ELECTRICAL SPECIFICATIONS**

Input Voltage & Frequency ... 90~264 VAC  
 Input Frequency ..... 47~63 Hz  
 Input Current ..... 2.5A (rms) max. @ 115 VAC,  
 1.25A (rms) max. @ 230 VAC  
 Inrush Current ..... 40A max. @ 115 VAC, 80A max.  
 @ 230 VAC; cold start @ 25 °C  
 Earth Leakage Current ..... <0.25mA  
 Power Factor ..... >0.9 @ 115/230VAC, full load  
 Output Power Ratings ..... See table  
 Output Voltage Regulation .. See table  
 Ripple and Noise ..... See table

**STANDARDS & COMPLIANCES**

EMC Standards ..... EN 55022 Class B, FCC Part 15  
 Class B, CISPR22 Class B  
 Safety Standards ..... UL 60950-1, EN/IEC 60950-1,  
 CSA C22.2 No. 60950-1  
 Agency Approvals ..... CSA, CUS, TUV, CE, CB, FCC  
 Other Compliance ..... RoHS

**GENERAL SPECIFICATIONS**

Efficiency ..... >85% typical @ 115VAC, full  
 load  
 Switching Frequency ..... 65KHz  
 Hold-up Time ..... >16 ms at 115 VAC, full load  
 convection  
 Operating Temperature ..... 0 °C to +60 °C for 100W @  
 convection cooling;  
 0 °C to +70 °C for 150W @  
 12 CFM forced air cooling  
 Derating ..... Derate from 100W at +40 °C  
 linearly to 50W at +60 °C @  
 convection cooling;  
 Derate from 150W at +50 °C  
 linearly to 75W at +70 °C @ 12  
 CFM forced air cooling  
 Temperature Coefficient ..... ±0.05% per °C maximum  
 Operating Humidity ..... 5% to 95% non-condensing  
 Short-Circuit Protection ..... Auto-recovery  
 Overload Protection ..... Set at 105% to 160% of the  
 maximum rating, Auto-recovery  
 Overvoltage Protection ..... Auto-recovery  
 Withstand Voltage ..... Input to Output: 4,242VDC  
 Input to Ground: 2,121VDC  
 MTBF ..... 120K hours at full load and  
 25 °C ambient calculated per  
 MIL-HDBK-217F

**MODELS LIST**

Product No. <sup>(1)</sup>	Output Voltage	Min. Load	Max. Load		Output Regulation	Ripple & Noise (Vp-p) <sup>(2)</sup>	Max. Output Power <sup>(3)</sup>
			@ Convection	@ 12 CFM			
TWC150-12	+12V	0A	8.33A	12.5A	±3%	150mV	100W / 150W
TWC150-15	+15V	0A	6.67A	10A	±3%	150mV	100W / 150W
TWC150-19	+19V	0A	5.26A	7.89A	±3%	190mV	100W / 150W
TWC150-24	+24V	0A	4.16A	6.25A	±3%	240mV	100W / 150W
TWC150-28	+28V	0A	2.77A	4.16A	±2%	300mV	100W / 150W
TWC150-48	+48V	0A	2.08A	3.12A	±2%	300mV	100W / 150W

**Notes:**

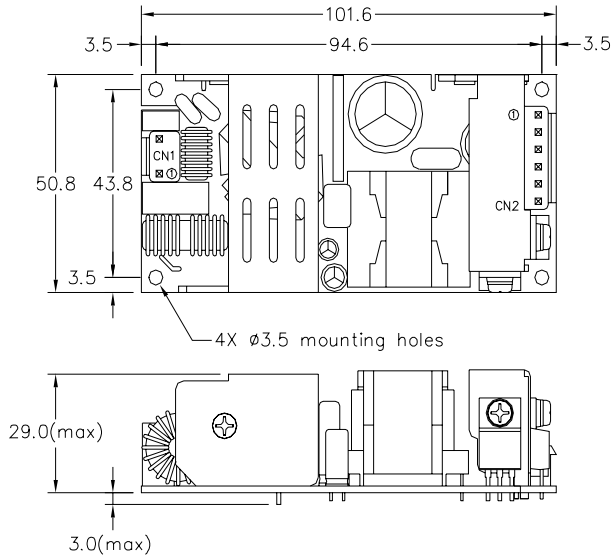
1. Standard form factor is open frame. Add suffix "B", for U-bracket, ie TWC150-24B.
2. R&N are measured at 20 MHz bandwidth with a 10µF electrolytic capacitor and with a 0.1µF ceramic capacitor in parallel at output connector.
3. 100W maximum output power without moving air, 150W maximum with 12 CFM forced air.

# TWC150 Series

## 150W ITE Grade AC/DC Switching Power Supplies

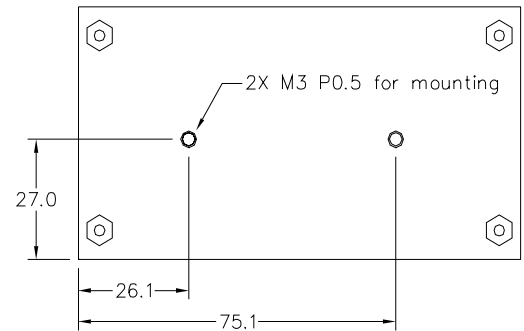
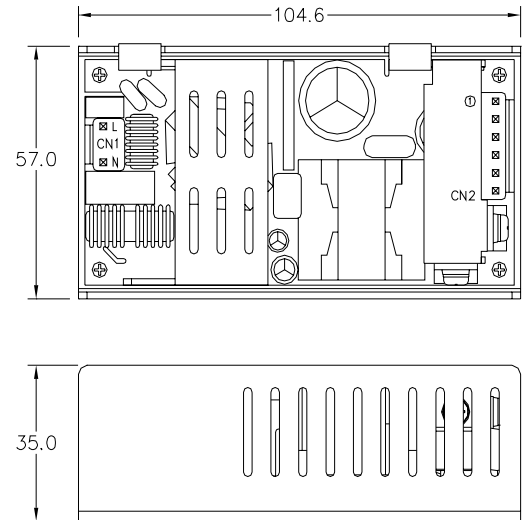
### MECHANICAL SPECIFICATIONS (Unit: mm)

#### Open Frame



Weight: 0.206 kg (0.46 lb) approx.

#### U-Channel



Weight: 0.275 kg (0.6 lb) approx.

### CONNECTORS & PIN CHART

CN1	
Pin #	Function
1	AC Neutral
2	AC Line

CN2	
Pin #	Function
1	GND
2	GND
3	GND
4	+Vo
5	+Vo
6	+Vo

#### Notes:

1. CN1 (Input Connector): JST B3P VH B, 7.92mm pitch or equivalent, mating with JST VHR-3N or equivalent.
2. CN2 (Output Connector): JST B6P VH B, 3.96mm pitch or equivalent, mating with JST VHR-6N or equivalent.