



OUTPUT VOLTAGE	OUTPUT CURRENT	OUTPUT POWER	MODEL NUMBER		
			9-18 VDC IN	18-36 VDC IN	36-72 VDC IN
5 VDC	5000 mA	25W	TD5-25S1205	TD5-25S2405	TD5-25S4805
12 VDC	2083 mA	25W	TD5-25S1212	TD5-25S2412	TD5-25S4812
15 VDC	1666 mA	25W	TD5-25S1215	TD5-25S2415	TD5-25S4815
24 VDC	1041 mA	25W	TD5-25S1224	TD5-24S2424	TD5-25S4824
±5 VDC	±2500 mA	25W	TD5-25D1205	TD5-25D2405	TD5-25D4805
±12 VDC	±1041 mA	25W	TD5-25D1212	TD5-25D2412	TD5-25D4812
±15 VDC	±833 mA	25W	TD5-25D1215	TD5-25D2415	TD5-25D4815
±24 VDC	±520 mA	25W	TD5-25D1224	TD5-25D2424	TD5-25D4824

Other input/output combinations available.

**ELECTRICAL SPECIFICATIONS**

All Specifications Typical @+25°C, Nominal Line, and Full Load Unless Otherwise Noted.

**INPUT SPECIFICATIONS**

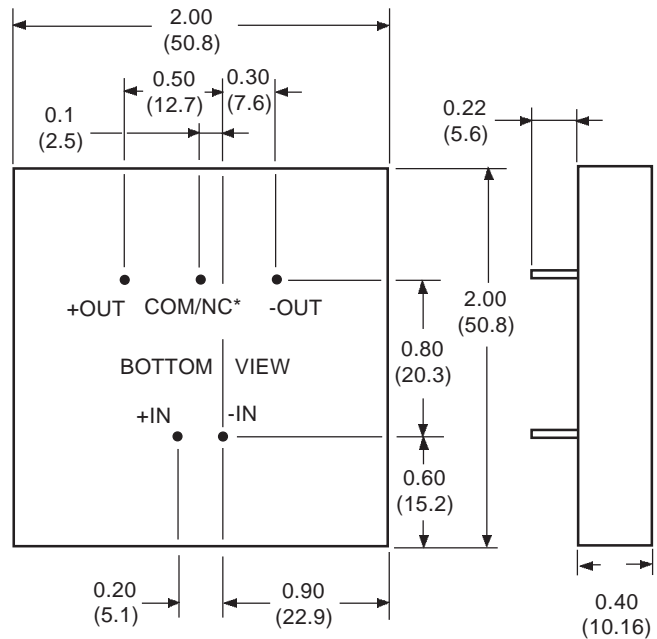
Nominal Line, 9-18V Input.....12 VDC  
 18-36V Input.....24 VDC  
 36-72V Input.....48 VDC  
 Input Filter.....Capacitors

**OUTPUT SPECIFICATIONS**

Voltage Accuracy.....±1%, Max.  
 Voltage Balance (Dual Output).....±1%  
 Line Regulation.....±0.5%, Max.  
 Load Regulation.....±0.5%, Max.  
 Ripple and Noise, 20MHz BW.....100mVp-p, Max.  
 Short Circuit Protection.....Continuous  
 Short Circuit Restart.....Automatic

**GENERAL SPECIFICATIONS**

Efficiency.....79% - 88%  
 Isolation Voltage, Input to Output.....1,500 VDC, Min.  
 Switching Frequency, 10W/15W.....200K Hz, Typ.  
 Operating Temperature.....-25°C to +85°C  
 Derating .....3.57%/°C, +71°C to +85°C  
 Case Temperature.....+100°C, Max.  
 Storage Temperature Range.....-40°C to +125°C  
 Cooling.....Free Air Convection  
 Weight.....2.1 oz. (60 grams)  
 Case Material.....Metal with Non-Conductive Base



\* NC (NO CONNECTION) ON SINGLE OUTPUT MODELS

PIN SIZE: 0.04 INCH (1.0 mm) DIA.

ALL DIMENSIONS IN INCHES (mm)