



FEATURES

- 90~277 VAC Universal Input
- Constant Output Current with Optional Constant Output Voltage
- Suited for T8 LED Light Bars
- Isolated Configuration
- Power Factor up to 0.95
- High Efficiency, 85% Typical
- Short Circuit, Overload, and Overvoltage Protections

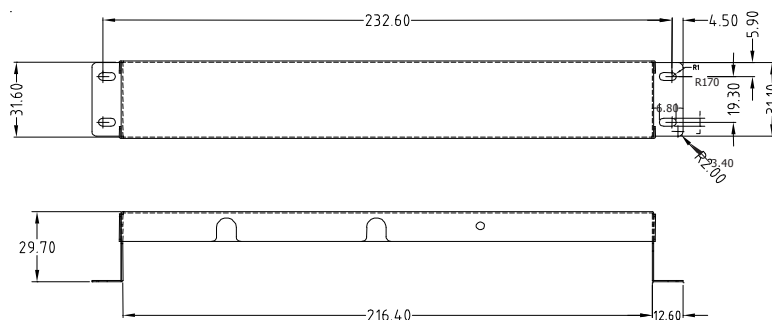
INPUT SPECIFICATIONS

Input Voltage	90~277 VAC
Input Frequency	47~63 Hz
Input Current	0.25A rms max. for 110 VAC, 0.14A rms max. for 220 VAC
Inrush Current	20A max. @ 110 VAC, 40A max. @ 220 VAC
Leakage Current	0.3mA max. @ 110 VAC 0.7mA max. @ 220 VAC
Surge Current	20mA @ 110 VAC 40mA @ 220 VAC
Power Factor	0.95 min. @ 110 VAC, 0.90 min. @ 220 VAC

OUTPUT SPECIFICATIONS

Output Power	25W
Output Voltage	See table
Efficiency	85% typical
Operating Temperature	-20°C to +60°C
Storage Temperature	-40°C to +85°C
Operating Humidity	5% to 95% RH non-condensing
Protections	OVP, OCP, Short-Circuit
OVP	125% max.
Dielectric Strength	10mA max. cut-off current
Primary to Secondary	3000 VAC for 1 minute
Primary to Case	3000 VAC for 1 minute
Insulation Resistance	
Primary to Secondary	10M Ω for 500 VDC
Primary to Case	10M Ω for 500 VDC
MTBF	80K hours minimum at full load, 40°C ambient, calculated per MIL-HDBK-217F

MECHANICAL SPECIFICATIONS



Unit: mm

MODELS LIST

Product No.	Min. Output Voltage (V)	Max. Output Current (V)	Max. Output Current (mA)
LISP25L-18-1400	10V	18V	1400mA
LISP25L-25-1000	18V	25V	1000mA
LISP25L-36-700	24V	36V	700mA
LISP25L-52-480	36V	52V	480mA
LISP25L-72-350	50V	72V	350mA

Note: Other special output voltage and output current options available.

GENERAL SPECIFICATIONS

Input Cable, N	Brown, 6.69in (170mm)
L	Blue, 6.69in (170mm)
Output Cable, V+	Red, 6.69in (170mm)
V-	Black, 6.69in (170mm)
Case Material	Metal
Dimensions (LxWxH)	9.51 x 1.24 x 1.17 inches
Weight	Approx. 250g

STANDARDS & COMPLIANCES

FCC	Class B, conducted and radiated
EN61000-3-2	Harmonic distortion, Class C
EN61000-3-3	Line flicker
EN61000-4-2	ESD, ±15KV air and ±8KV contact
EN61000-4-4	Fast transient/burst, ±1KV
EN61000-4-5	Surge, ±1KV diff.
Other EMC Standards	EN55105, EN61547, EN61000-4-3, EN61000-4-6, EN61000-4-8, EN61000-4-11
Other Standards	UL 60950-1, RoHS
Agency Approvals	CE, FCC