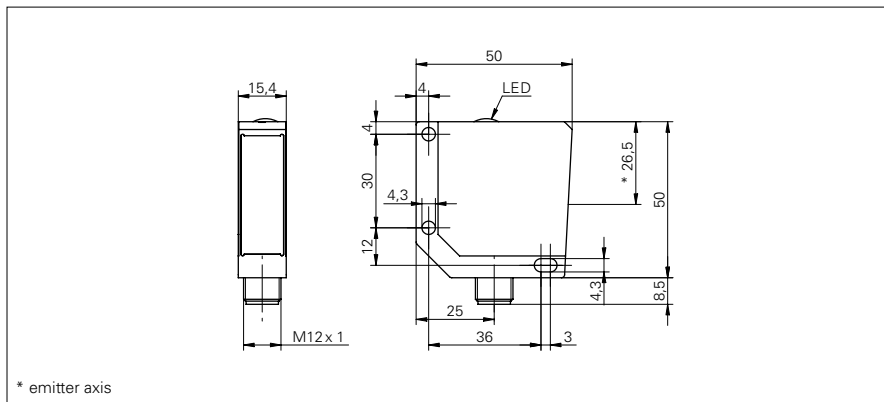


## Retro-reflective sensors

## FPDM 16P5101/S14

## dimension drawing



## general data

type	retro-reflective sensor
light source	pulsed red LED
actual range $S_b$	7,3 m
nominal range $S_n$	8,5 m
polarization filter	yes
alignment / soiled lens indicator	flashing light indicator
light indicator	LED yellow
sensitivity adjustment	no
wave length	660 nm
suppression of reciprocal influence	yes

## electrical data

response time / release time	< 1 ms
voltage supply range +Vs	10 ... 30 VDC
current consumption max. (no load)	36 mA
current consumption typ.	26 mA
voltage drop $V_d$	< 1,8 VDC
output function	light / dark operate
output circuit	PNP
output current	< 200 mA
short circuit protection	yes
reverse polarity protection	yes

## mechanical data

width / diameter	15,4 mm
height / length	50 mm
depth	50 mm
type	rectangular
housing material	die-cast zinc
front (optics)	PMMA
connection types	connector M12 4 pin

## ambient conditions

operating temperature	-25 ... +65 °C
protection class	IP 67

## photo



## connection diagram

