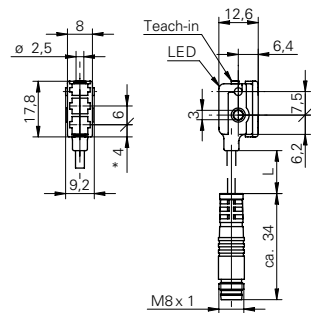


## Retro-reflective sensors

## FPDK 07N6901/KS35A

## dimension drawing



\* emitter axis

## general data

type	retro-reflective sensor
light source	pulsed red LED
actual range $S_b$	0,6 m
nominal range $S_n$	0,8 m
polarization filter	yes
alignment / soiled lens indicator	flashing light indicator
light indicator	LED green
output indicator	LED yellow
sensitivity adjustment	Teach-in
wave length	660 nm
suppression of reciprocal influence	yes

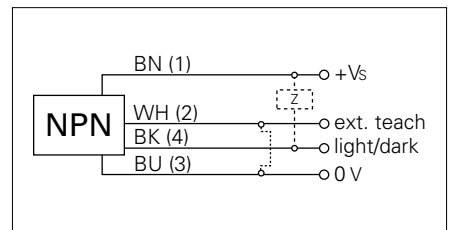
## photo



## electrical data

response time / release time	< 0,5 ms
voltage supply range +Vs	10 ... 30 VDC
current consumption max. (no load)	25 mA
current consumption typ.	20 mA
voltage drop $V_d$	< 1,8 VDC
output function	light / dark operate
output circuit	NPN
output current	< 100 mA
short circuit protection	yes
reverse polarity protection	yes

## connection diagram



- sensitivity adjustable: via Teach-in button or Teach-in wire input

## mechanical data

width / diameter	8 mm
height / length	17,8 mm
depth	12,6 mm
type	rectangular
housing material	plastic (PMMA, MABS, PA)
front (optics)	PMMA
connection types	flylead connector M8 4 pin

## ambient conditions

operating temperature	-20 ... +50 °C
protection class	IP 65