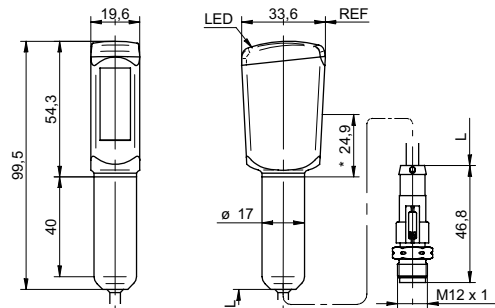


## Retro-reflective sensors

## FPDH 14P5101/KS34A

## dimension drawing



\* emitter axis

## general data

type	retro-reflective sensor
special type	Hygiene design
version	Hygienic design
light source	pulsed red LED
actual range $S_b$	3 m
nominal range $S_n$	3,5 m
polarization filter	yes
alignment / soiled lens indicator	flashing light indicator
light indicator	LED yellow
sensitivity adjustment	no
wave length	660 nm
suppression of reciprocal influence	yes
Approvals/certificates	Ecolab EHEDG

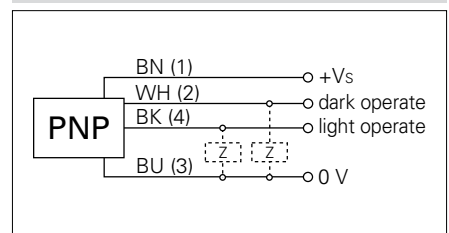
## photo



## electrical data

response time / release time	< 1 ms
voltage supply range +Vs	10 ... 30 VDC
current consumption max. (no load)	25 mA
current consumption typ.	20 mA
voltage drop Vd	< 1,8 VDC
output function	light / dark operate
output circuit	PNP
output current	< 100 mA
short circuit protection	yes
reverse polarity protection	yes

## connection diagram

proTect<sup>+</sup>

- Sensor FDA compliant, EHEDG certified and Ecolab approved
- LSR = Liquid Silicon Rubber

## mechanical data

width / diameter	19,6 mm
height / length	54,3 mm
depth	33,6 mm
type	rectangular
housing material	stainless steel 1.4404 (V4A), PA12 ; LSR
front (optics)	PMMA
connection types	flylead connector M12, L=300 mm

**Retro-reflective sensors****FPDH 14P5101/KS34A****ambient conditions**

operating temperature	-30 ... +60 °C
protection class	IP 68/69K & proTect+
storage temperature	-30 ... +70 °C