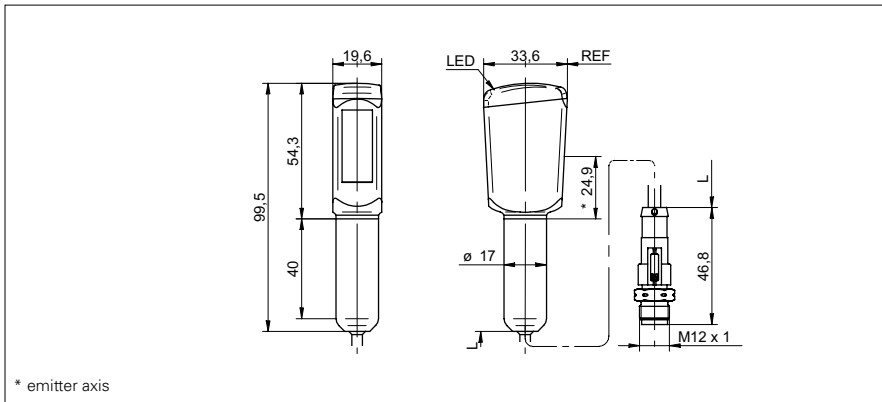


Retro-reflective sensors

FPDH 14N5101/KS34A

dimension drawing



general data

|                                     |                          |
|-------------------------------------|--------------------------|
| type                                | retro-reflective sensor  |
| special type                        | Hygiene design           |
| version                             | Hygienic design          |
| light source                        | pulsed red LED           |
| actual range Sb                     | 3 m                      |
| nominal range Sn                    | 3,5 m                    |
| polarization filter                 | yes                      |
| alignment / soiled lens indicator   | flashing light indicator |
| light indicator                     | LED yellow               |
| sensitivity adjustment              | no                       |
| wave length                         | 660 nm                   |
| suppression of reciprocal influence | yes                      |
| Approvals/certificates              | Ecolab<br>EHEDG          |

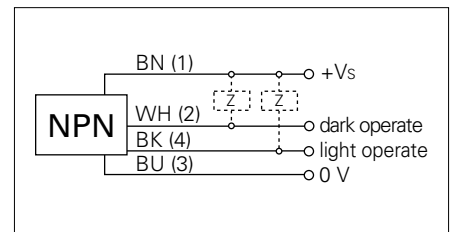
photo



electrical data

|                                    |                      |
|------------------------------------|----------------------|
| response time / release time       | < 1 ms               |
| voltage supply range +Vs           | 10 ... 30 VDC        |
| current consumption max. (no load) | 25 mA                |
| current consumption typ.           | 20 mA                |
| voltage drop Vd                    | < 1,8 VDC            |
| output function                    | light / dark operate |
| output circuit                     | NPN                  |
| output current                     | < 100 mA             |
| short circuit protection           | yes                  |
| reverse polarity protection        | yes                  |

connection diagram



proTect<sup>+</sup>

- Sensor FDA compliant, EHEDG certified and Ecolab approved
- LSR = Liquid Silicon Rubber

mechanical data

|                  |  |
|------------------|--|
| width / diameter | 19,6 mm                                  |
| height / length  | 54,3 mm                                  |
| depth            | 33,6 mm                                  |
| type             | rectangular                              |
| housing material | stainless steel 1.4404 (V4A), PA12 ; LSR |
| front (optics)   | PMMA                                     |
| connection types | flylead connector M12, L=300 mm          |

**Retro-reflective sensors****FPDH 14N5101/KS34A****ambient conditions**

|                       |                      |
|-----------------------|----------------------|
| operating temperature | -30 ... +60 °C       |
| protection class      | IP 68/69K & proTect+ |
| storage temperature   | -30 ... +70 °C       |