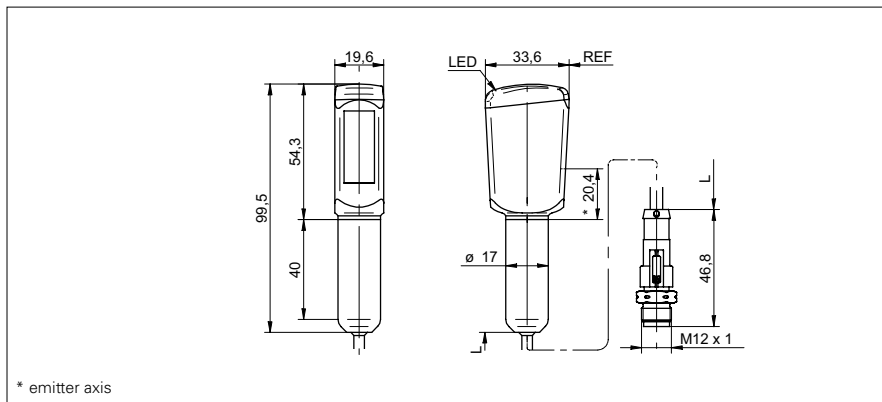


## SmartReflect Light barriers

## FNDH 14G6903/KS34A

## dimension drawing



## general data

|                                   |                          |
|-----------------------------------|--------------------------|
| type                              | light barrier            |
| special type                      | Hygiene design           |
| version                           | Foil detection           |
| light source                      | pulsed red LED           |
| background position Sde           | 200 ... 800 mm on V4A    |
| minimal signal attenuation        | 12 %                     |
| alignment / soiled lens indicator | flashing light indicator |
| power on indication               | LED green                |
| output indicator                  | LED red                  |
| sensing distance adjustment       | Teach-in                 |
| wave length                       | 660 nm                   |
| Approvals/certificates            | Ecolab<br>EHEDG          |

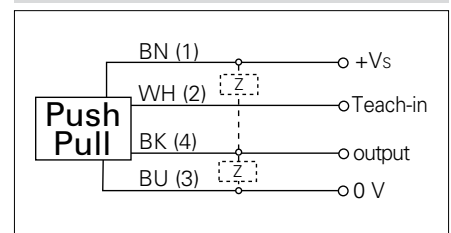
## photo



## electrical data

|                                    |                      |
|------------------------------------|----------------------|
| response time / release time       | < 1,8 ms             |
| voltage supply range +Vs           | 10 ... 30 VDC        |
| current consumption max. (no load) | 40 mA                |
| current consumption typ.           | 35 mA                |
| voltage drop Vd                    | < 2 VDC              |
| output function                    | light / dark operate |
| output circuit                     | push-pull            |
| output current                     | < 100 mA             |
| short circuit protection           | yes                  |
| reverse polarity protection        | yes                  |

## connection diagram



proTect<sup>+</sup>

## mechanical data

|                  |  |
|------------------|--|
| width / diameter | 19,6 mm                                  |
| height / length  | 54,3 mm                                  |
| depth            | 33,6 mm                                  |
| type             | rectangular                              |
| housing material | stainless steel 1.4404 (V4A), PA12 ; LSR |
| front (optics)   | PMMA                                     |
| connection types | flylead connector M12, L=300 mm          |

- Sensor FDA compliant, EHEDG certified and Ecolab approved
- sensitivity adjustable: via Teach-in wire input
- LSR = Liquid Silicon Rubber

**SmartReflect Light barriers****FNDH 14G6903/KS34A****ambient conditions**

|                       |                      |
|-----------------------|----------------------|
| operating temperature | -30 ... +60 °C       |
| protection class      | IP 68/69K & proTect+ |
| storage temperature   | -30 ... +70 °C       |