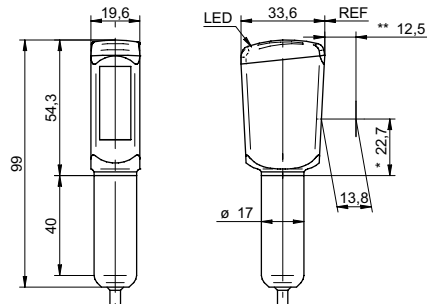


Diffuse contrast sensors

FKDH 14G6901

dimension drawing



* emitter axis

general data

| | |
|------------------------|-------------------------|
| type | diffuse contrast sensor |
| special type | Hygiene design |
| light source | white LED |
| sensing distance T_w | 12,5 mm \pm 2 mm |
| light indicator | LED green |
| output indicator | LED yellow |
| sensitivity adjustment | Teach-in |
| distance to focus | 12,5 mm |
| beam height | 3 mm |
| beam width | 1 mm |
| Approvals/certificates | Ecolab EHEDG |

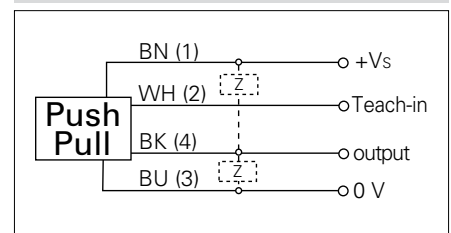
photo



electrical data

| | |
|------------------------------------|----------------------|
| response time / release time | < 0,05 ms |
| voltage supply range +Vs | 18 ... 30 VDC |
| current consumption max. (no load) | 50 mA |
| current consumption typ. | 40 mA |
| voltage drop Vd | < 3 VDC |
| output function | light / dark operate |
| output circuit | push-pull |
| output current | < 100 mA |
| short circuit protection | yes |
| reverse polarity protection | yes |

connection diagram

proTect⁺

mechanical data

| | |
|------------------|--|
| width / diameter | 19,6 mm |
| height / length | 54,3 mm |
| depth | 33,6 mm |
| type | rectangular |
| housing material | stainless steel 1.4404 (V4A), PA12 ; LSR |
| front (optics) | PMMA |
| connection types | cable 4 pin, 2 m |

ambient conditions

| | |
|-----------------------|----------------------|
| operating temperature | -25 ... +60 °C |
| protection class | IP 68/69K & proTect+ |

- Sensor FDA compliant, EHEDG certified and Ecolab approved
- sensitivity adjustable: via Teach-in wire input
- LSR = Liquid Silicon Rubber