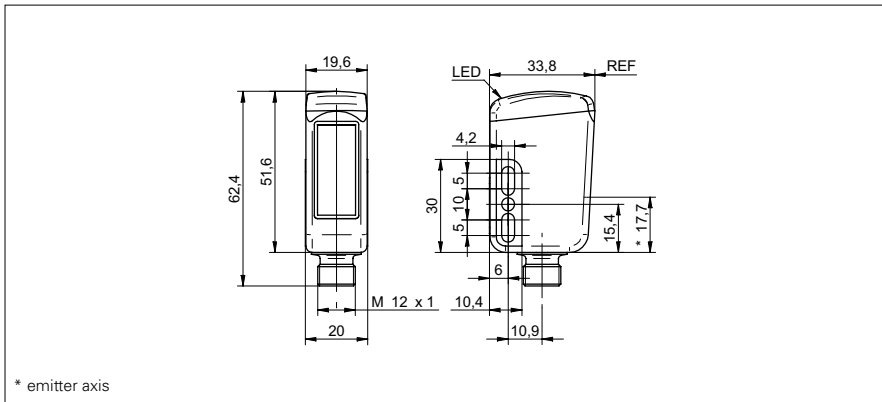


Diffuse sensors with background suppression

FHDR 14G6901/S14

dimension drawing



general data

type	background suppression
special type	Washdown design
version	Washdown design
light source	pulsed red LED
sensing distance Tw	50 ... 400 mm
sensing range Tb (at Tw max.)	20 ... 400 mm
sensing range Tb (at Tw min.)	20 ... 50 mm
power on indication	LED green
output indicator	LED red
sensing distance adjustment	Teach-in
wave length	660 nm
Approvals/certificates	Ecolab

electrical data

response time / release time	< 1,8 ms
voltage supply range +Vs	10 ... 30 VDC
current consumption max. (no load)	40 mA
current consumption typ.	35 mA
voltage drop Vd	< 2 VDC
output function	light / dark operate
output circuit	push-pull
output current	< 100 mA
short circuit protection	yes
reverse polarity protection	yes

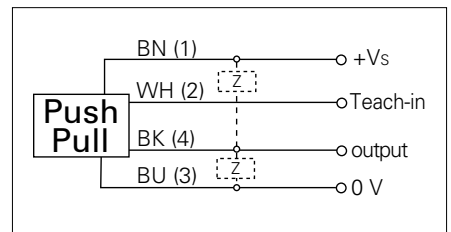
mechanical data

width / diameter	19,6 mm
height / length	51,6 mm
depth	33,8 mm
type	rectangular
housing material	stainless steel 1.4404 (V4A), PA12 ; LSR
front (optics)	PMMA
connection types	connector M12

photo



connection diagram



proTect⁺

- Sensor FDA compliant and Ecolab approved
- sensitivity adjustable: via Teach-in wire input
- LSR = Liquid Silicon Rubber

Diffuse sensors with background suppression

FHDR 14G6901/S14

ambient conditions

operating temperature	-30 ... +60 °C
protection class	IP 68/69K & proTect+
storage temperature	-30 ... +70 °C