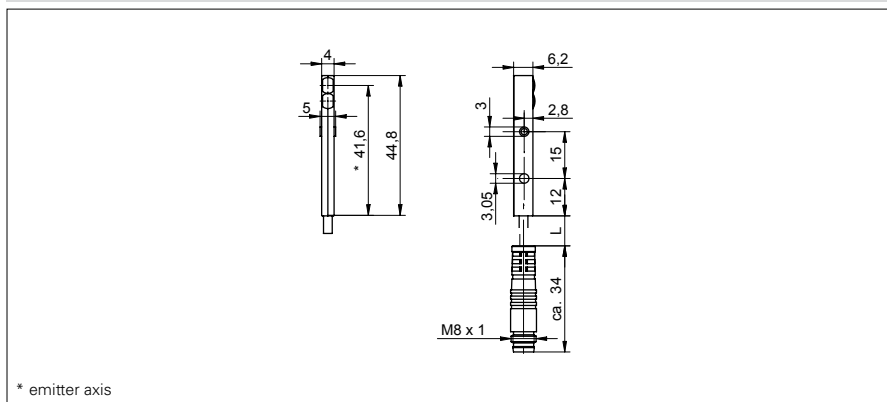


## Diffuse sensors with background suppression

### FHDK 04G6101/KS35A

#### dimension drawing



#### general data

type	background suppression
light source	pulsed point source LED
sensing distance $T_w$	30 mm $\pm$ 2 mm
alignment / soiled lens indicator	flashing light indicator
light indicator	LED yellow
sensitivity adjustment	IO-Link
wave length	660 nm
beam diameter	2 mm
suppression of reciprocal influence	yes

#### electrical data

response time / release time	< 0,5 ms
voltage supply range +Vs	11 ... 30 VDC
current consumption max. (no load)	30 mA
current consumption typ.	20 mA
voltage drop $V_d$	< 2 VDC
output function	light operate
output circuit	push-pull
output current	< 50 mA
short circuit protection	yes
reverse polarity protection	yes, supply only

#### mechanical data

width / diameter	4 mm
height / length	44,8 mm
depth	6,2 mm
type	rectangular
housing material	plastic (ASA)
front (optics)	PMMA
connection types	flylead connector M8 4 pin

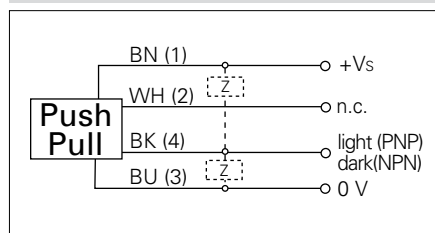
#### ambient conditions

operating temperature	-10 ... +50 °C
protection class	IP 65

#### photo



#### connection diagram



IO-Link