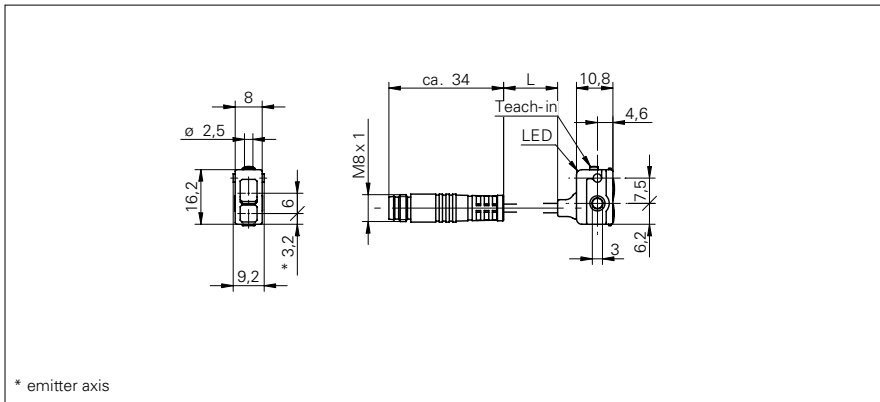


## Diffuse sensors with background suppression

### FHCK 07P6901/KS35A

#### dimension drawing



#### general data

|                                     |                          |
|-------------------------------------|--------------------------|
| type                                | background suppression   |
| light source                        | pulsed red LED           |
| sensing distance $T_w$              | 10 ... 60 mm             |
| sensing range $T_b$ (at $T_w$ max.) | 2 ... 60 mm              |
| sensing range $T_b$ (at $T_w$ min.) | 5 ... 10 mm              |
| alignment / soiled lens indicator   | flashing light indicator |
| light indicator                     | LED green                |
| output indicator                    | LED yellow               |
| sensing distance adjustment         | Teach-in                 |
| wave length                         | 660 nm                   |
| suppression of reciprocal influence | yes                      |

#### electrical data

|                                    |                      |
|------------------------------------|----------------------|
| response time / release time       | < 0,5 ms             |
| voltage supply range +Vs           | 10 ... 30 VDC        |
| current consumption max. (no load) | 25 mA                |
| current consumption typ.           | 20 mA                |
| voltage drop $V_d$                 | < 1,8 VDC            |
| output function                    | light / dark operate |
| output circuit                     | PNP                  |
| output current                     | < 100 mA             |
| short circuit protection           | yes                  |
| reverse polarity protection        | yes                  |

#### mechanical data

|                  |                            |
|------------------|----------------------------|
| width / diameter | 8 mm                       |
| height / length  | 16,2 mm                    |
| depth            | 10,8 mm                    |
| type             | rectangular                |
| housing material | plastic (PMMA, MABS, PA)   |
| front (optics)   | PMMA                       |
| connection types | flylead connector M8 4 pin |

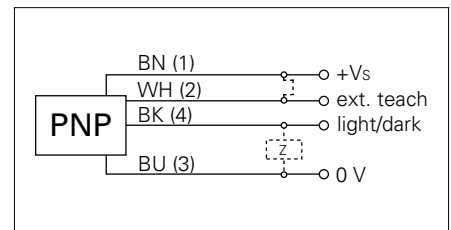
#### ambient conditions

|                       |                |
|-----------------------|----------------|
| operating temperature | -20 ... +50 °C |
| protection class      | IP 65          |

#### photo



#### connection diagram



- sensitivity adjustable: via Teach-in button or Teach-in wire input