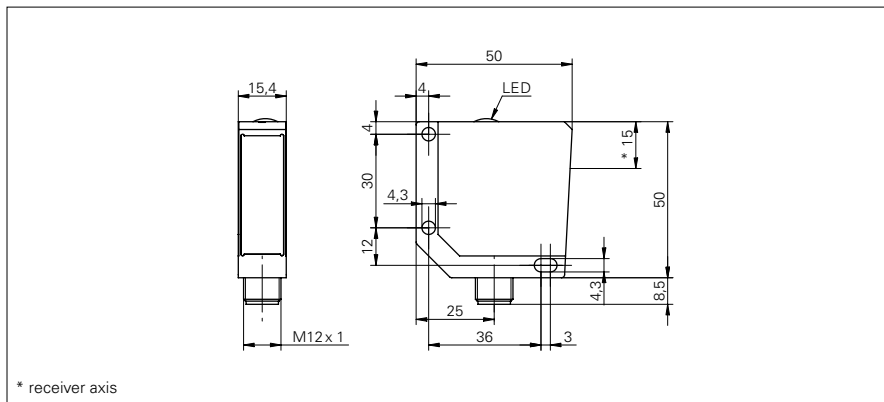


Through beam sensors

FEDM 16P5101/S14

dimension drawing



general data

type	through beam sensor
emitter / receiver	receiver
actual range S_b	8 m
nominal range S_n	10 m
alignment / soiled lens indicator	flashing light indicator
light indicator	LED yellow
sensitivity adjustment	no

electrical data

response time / release time	< 1 ms
voltage supply range +Vs	10 ... 30 VDC
current consumption max. (no load)	17 mA
current consumption typ.	17 mA
voltage drop Vd	< 1,8 VDC
output function	light / dark operate
output circuit	PNP
output current	< 200 mA
short circuit protection	yes
reverse polarity protection	yes

mechanical data

width / diameter	15,4 mm
height / length	50 mm
depth	50 mm
type	rectangular
housing material	die-cast zinc
front (optics)	PMMA
connection types	connector M12 4 pin

ambient conditions

operating temperature	-25 ... +65 °C
protection class	IP 67

photo



connection diagram

