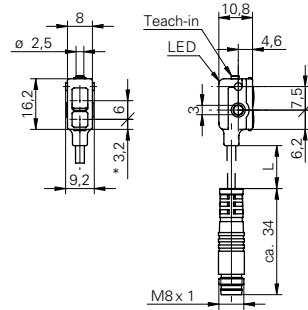


## Through beam sensors

## FEDK 07P6901/KS35A

## dimension drawing



\* receiver axis

## general data

type	through beam sensor
emitter / receiver	receiver
actual range $S_b$	2 m
nominal range $S_n$	2,5 m
alignment / soiled lens indicator	flashing light indicator
light indicator	LED green
output indicator	LED yellow
sensitivity adjustment	Teach-in

## electrical data

response time / release time	< 0,5 ms
voltage supply range +Vs	10 ... 30 VDC
current consumption max. (no load)	20 mA
current consumption typ.	20 mA
voltage drop Vd	< 1,8 VDC
output function	light / dark operate
output circuit	PNP
output current	< 100 mA
short circuit protection	yes
reverse polarity protection	yes

## mechanical data

width / diameter	8 mm
height / length	16,2 mm
depth	10,8 mm
type	rectangular
housing material	plastic (PMMA, MABS, PA)
front (optics)	PMMA
connection types	flylead connector M8 4 pin

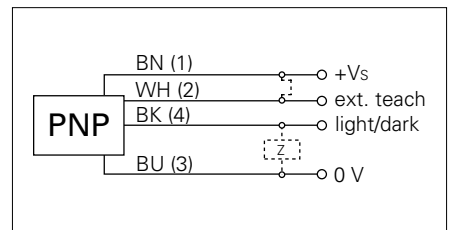
## ambient conditions

operating temperature	-20 ... +50 °C
protection class	IP 65

## photo



## connection diagram



- sensitivity adjustable: via Teach-in button or Teach-in wire input