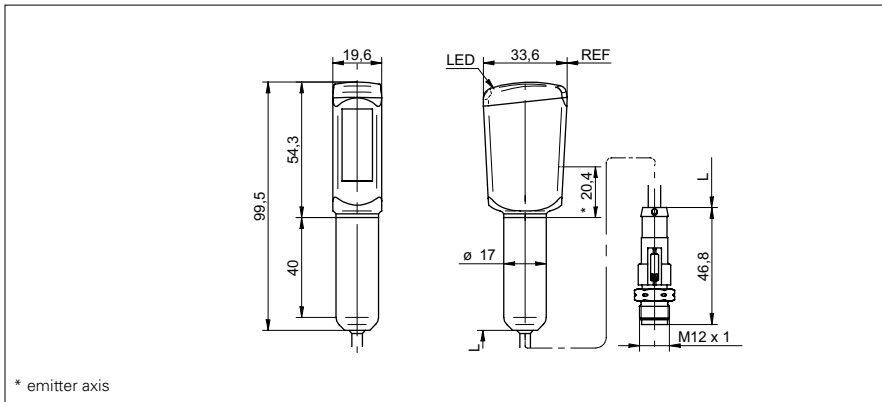


Distance sensors

FADH 14U4470/KS34A/IO

dimension drawing



general data

measuring distance Sd	50 ... 400 mm
special type	Hygiene design
adjustment	IO-Link
Teach-in range min.	> 20 mm
power on indication	LED green
soiled lens indicator	LED red
resolution	0,1 ... 1 mm
linearity error	± 1,5 ... ± 4 mm
light source	pulsed point source LED
wave length	660 nm
beam type	point
beam diameter	8 mm
temperature drift	< 0,1 % Sde/K
Approvals/certificates	Ecolab EHEDG

electrical data

response time / release time	< 3 ms
voltage supply range +Vs	14 ... 26 VDC
current consumption max. (no load)	80 mA
output circuit	analog
output signal	0 ... 10 VDC
load resistance (analog U)	> 100 kOhm
output current	< 100 mA
alarm output	push-pull
short circuit protection	yes
reverse polarity protection	yes, Vs to GND

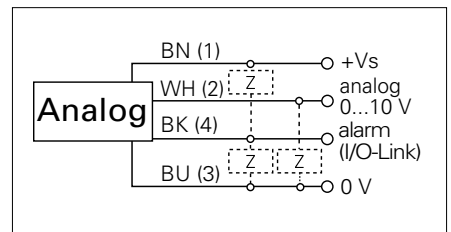
mechanical data

width / diameter	19,6 mm
height / length	54,3 mm
depth	33,6 mm
type	rectangular
housing material	stainless steel 1.4404 (V4A), PA12 ; LSR
front (optics)	PMMA
connection types	flylead connector M12, L=300 mm

photo



connection diagram



- Sensor FDA, EHEDG compliant and Ecolab approved
- IO-Link: Measuring range limit, average determination, service status, alarm output, switching window
- LSR = Liquid Silicon Rubber

**Distance sensors****FADH 14U4470/KS34A/IO****ambient conditions**

operating temperature	0 ... +50 °C
protection class	IP 68/69K & proTect+