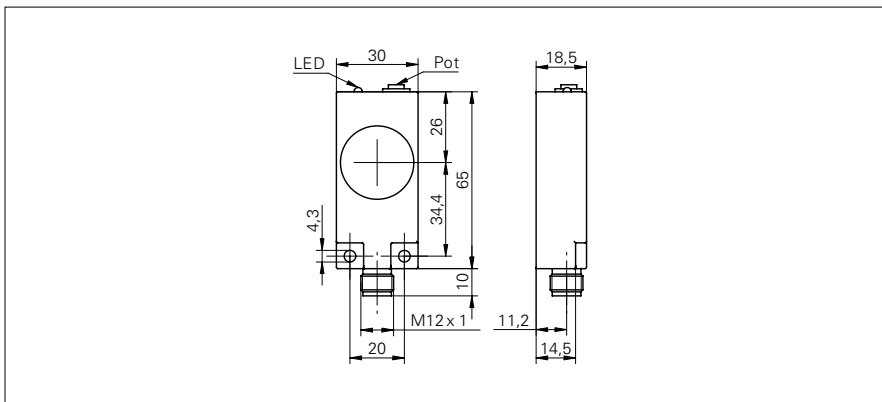


Capacitive proximity sensors

CFDK 30P3600/S14

dimension drawing



general data

nominal sensing distance S_n	15 mm
nominal sensing distance S_n adjustable	4 ... 15 mm
mounting type	shielded
GND electrode	yes
temperature drift	$\pm 15\%$ (+10 ... +70 °C)
sensitivity adjustment	potentiometer, 15 turn
output indicator	LED yellow

electrical data

voltage supply range +Vs	10 ... 30 VDC
current consumption max. (no load)	20 mA
output circuit	PNP break function (NC)
output current	< 200 mA
voltage drop Vd	< 1,5 VDC
switching frequency	< 50 Hz
short circuit protection	yes
reverse polarity protection	yes

mechanical data

type	rectangular
housing material	PBT
dimension	30 mm
housing length	75 mm
connection types	connector M12

ambient conditions

operating temperature	-25 ... +75 °C
protection class	IP 65

field of application

detection of non-conductive media	yes
fill level detection through container	yes
liquids in direct contact	no
object detection	yes

photo



connection diagram

