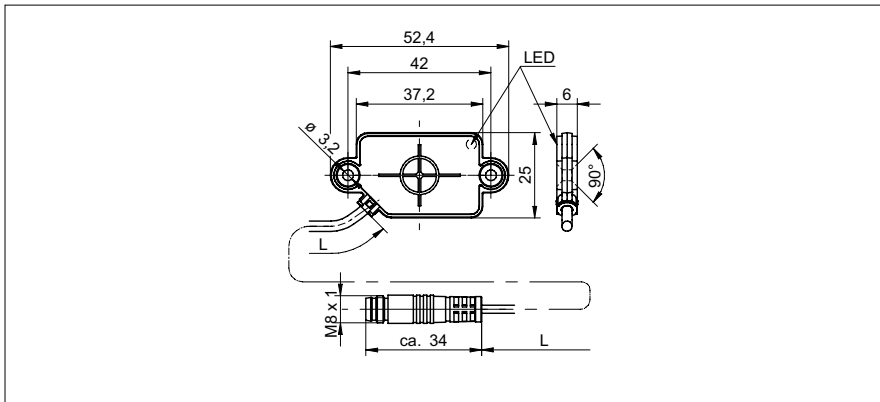


Capacitive proximity sensors

CFDK 25G1125/KS35LN3

dimension drawing



general data

| | |
|--------------------------------|------------|
| nominal sensing distance S_n | 4 mm |
| mounting type | shielded |
| GND electrode | no |
| temperature drift | $\pm 15\%$ |
| sensitivity adjustment | no |
| output indicator | LED red |

electrical data

| | |
|------------------------------------|---------------|
| voltage supply range $+V_s$ | 10 ... 30 VDC |
| current consumption max. (no load) | 15 mA |
| output function | active high |
| output circuit | push-pull |
| output current | < 100 mA |
| voltage drop V_d | < 3 VDC |
| switching frequency | < 35 Hz |
| short circuit protection | yes |
| reverse polarity protection | yes |

mechanical data

| | |
|------------------|--------------------------------|
| type | rectangular |
| housing material | PA 12 |
| dimension | 25 mm |
| housing length | 52,4 mm |
| depth | 6 mm |
| connection types | flylead connector M8, L=200 mm |

ambient conditions

| | |
|-----------------------|----------------|
| operating temperature | -25 ... +75 °C |
| protection class | IP 65 |

field of application

| | |
|--|-----|
| detection of non-conductive media | no |
| fill level detection through container | yes |
| liquids in direct contact | no |
| object detection | no |

photo



connection diagram

