

TOSHIBA CMOS Digital Integrated Circuit Silicon Monolithic

TC74VCX16543FT

Low-Voltage 16-Bit Registered Transceiver with 3.6-V Tolerant Inputs and Outputs

The TC74VCX16543FT is a high performance CMOS 16-bit registered transceiver. Designed for use in 1.8-V, 2.5-V or 3.3-V systems, it achieves high-speed operation while maintaining the CMOS low power dissipation.

It is also designed with overvoltage tolerant inputs and outputs up to 3.6 V.

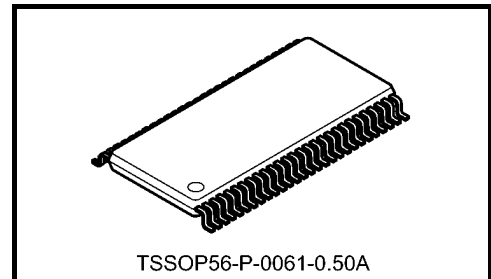
The TC74VCX16543FT can be used as two 8-bit transceivers or one 16-bit transceiver. Separate latch-enable ($\overline{\text{LEAB}}$ or $\overline{\text{LEBA}}$) and output-enable ($\overline{\text{OEAB}}$ or $\overline{\text{OEBA}}$) inputs are provided for each register to permit independent control in either direction of data flow.

The A-to-B enable ($\overline{\text{CEAB}}$) input must be low in order to enter data from A or to output data from B. If $\overline{\text{CEAB}}$ is low and $\overline{\text{LEAB}}$ is low, the A-to-B latches are transparent; a subsequent low-to-high transition of $\overline{\text{LEAB}}$ puts the A latches in the storage mode. With $\overline{\text{CEAB}}$ and $\overline{\text{OEAB}}$ both low, the 3-state B outputs are active and reflect the data present at the output of the A latches.

Data flow from B to A is similar but requires using the $\overline{\text{CEBA}}$, $\overline{\text{LEBA}}$, and $\overline{\text{OEAB}}$ inputs.

When the $\overline{\text{OE}}$ input is high, the outputs are in a high-impedance state. This device is designed to be used with 3-state memory address drivers, etc.

All inputs are equipped with protection circuits against static discharge.



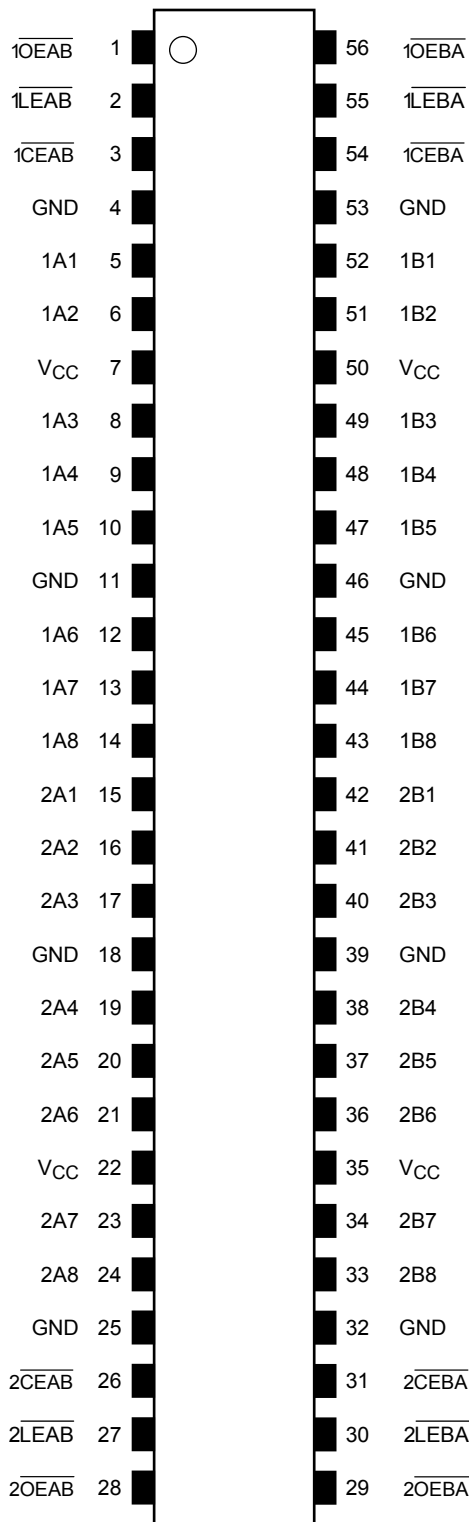
Weight: 0.25 g (typ.)

Features (Note)

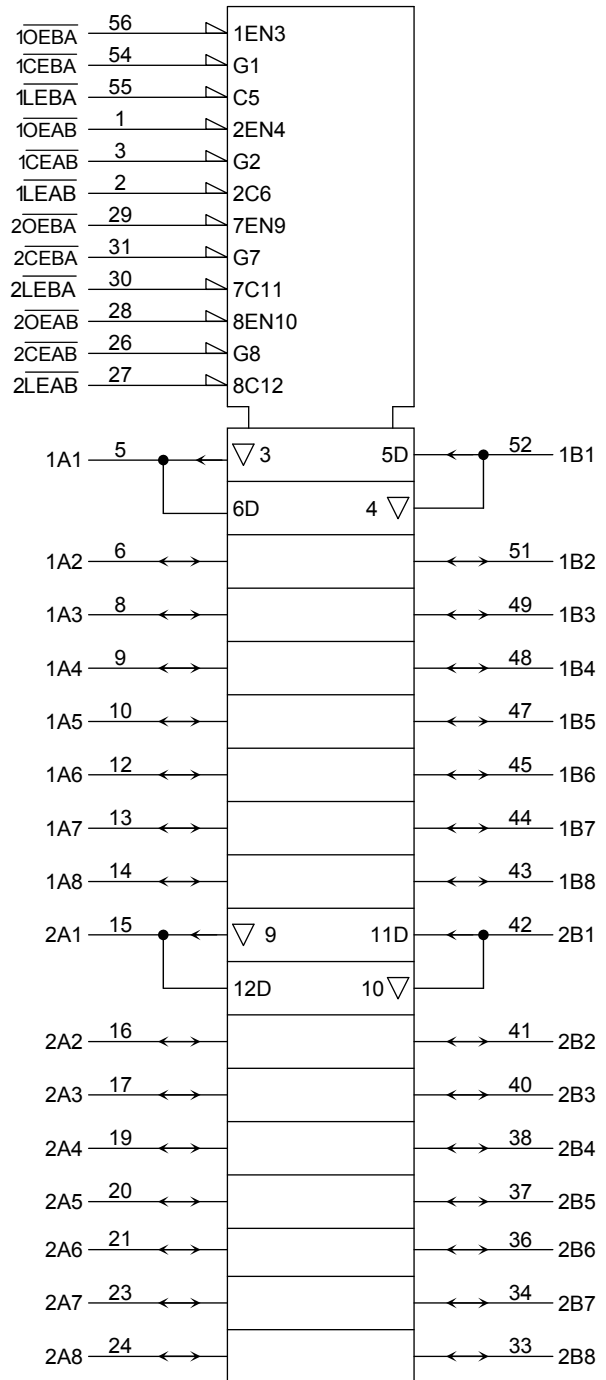
- Low-voltage operation: $V_{CC} = 1.8$ to 3.6 V
- High-speed operation: $t_{pd} = 3.5$ ns (max) ($V_{CC} = 3.0$ to 3.6 V)
 : $t_{pd} = 4.0$ ns (max) ($V_{CC} = 2.3$ to 2.7 V)
 : $t_{pd} = 8.0$ ns (max) ($V_{CC} = 1.8$ V)
- Output current: $I_{OH}/I_{OL} = \pm 24$ mA (min) ($V_{CC} = 3.0$ V)
 : $I_{OH}/I_{OL} = \pm 18$ mA (min) ($V_{CC} = 2.3$ V)
 : $I_{OH}/I_{OL} = \pm 6$ mA (min) ($V_{CC} = 1.8$ V)
- Latch-up performance: -300 mA
- ESD performance: Machine model $\geq \pm 200$ V
 Human body model $\geq \pm 2000$ V
- Package: TSSOP
- Bidirectional interface between 2.5 V and 3.3 V signals.
- 3.6-V tolerant function and power-down protection provided on all inputs and outputs

Note: Do not apply a signal to any bus pins when it is in the output mode. Damage may result.
 All floating (high impedance) bus pins must have their input level fixed by means of pull-up or pull-down resistors.

Pin Assignment (top view)



IEC Logic Symbol



Truth Table (A bus → B bus each 8-bit latch)

| Inputs | | | | Outputs B |
|-------------------|-------------------|-------------------|---|--------------|
| \overline{CEAB} | \overline{LEAB} | \overline{OEAB} | A | |
| H | X | X | X | Z |
| X | X | H | X | Z |
| L | H | L | X | B0 (Note) |
| L | L | L | L | L |
| L | L | L | H | H |

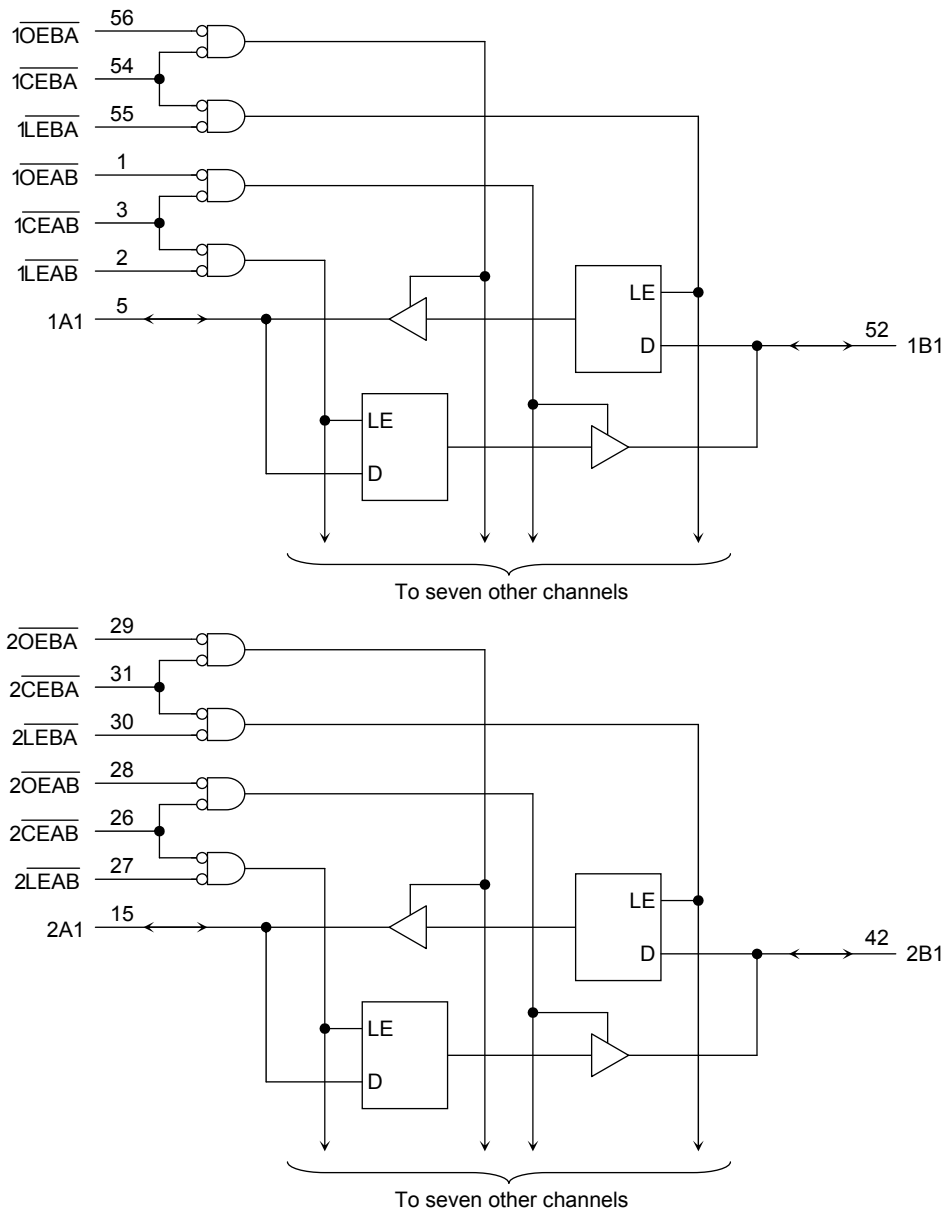
Note: Output level before the indicated steady-state input conditions were established.

Truth Table (B bus → A bus each 8-bit latch)

| Inputs | | | | Outputs A |
|-------------------|-------------------|-------------------|---|--------------|
| \overline{CEBA} | \overline{LEBA} | \overline{OEBA} | B | |
| H | X | X | X | Z |
| X | X | H | X | Z |
| L | H | L | X | A0 (Note) |
| L | L | L | L | L |
| L | L | L | H | H |

Note: Output level before the indicated steady-state input conditions were established.

System Diagram



Absolute Maximum Ratings (Note 1)

| Characteristics | Symbol | Rating | Unit |
|---|------------------|------------------------------------|------|
| Power supply voltage | V_{CC} | -0.5 to 4.6 | V |
| DC input voltage (\overline{OEAB} , \overline{OEBA} , \overline{LEAB} , $LEBA$, $CEAB$, $CEBA$) | V_{IN} | -0.5 to 4.6 | V |
| DC bus I/O voltage | $V_{I/O}$ | -0.5 to 4.6 (Note 2) | V |
| | | -0.5 to $V_{CC} + 0.5$ (Note 3) | |
| Input diode current | I_{IK} | -50 | mA |
| Output diode current | I_{OK} | ± 50 (Note 4) | mA |
| DC output current | I_{OUT} | ± 50 | mA |
| Power dissipation | P_D | 400 | mW |
| DC V_{CC} /ground current per supply pin | I_{CC}/I_{GND} | ± 100 | mA |
| Storage temperature | T_{stg} | -65 to 150 | °C |

Note 1: Exceeding any of the absolute maximum ratings, even briefly, lead to deterioration in IC performance or even destruction.

Using continuously under heavy loads (e.g. the application of high temperature/current/voltage and the significant change in temperature, etc.) may cause this product to decrease in the reliability significantly even if the operating conditions (i.e. operating temperature/current/voltage, etc.) are within the absolute maximum ratings and the operating ranges.

Please design the appropriate reliability upon reviewing the Toshiba Semiconductor Reliability Handbook ("Handling Precautions"/"Derating Concept and Methods") and individual reliability data (i.e. reliability test report and estimated failure rate, etc).

Note 2: OFF state

Note 3: High or low state. I_{OUT} absolute maximum rating must be observed.

Note 4: $V_{OUT} < GND$, $V_{OUT} > V_{CC}$

Operating Ranges (Note 1)

| Characteristics | Symbol | Rating | Unit |
|--|-----------------|------------------------|------|
| Power supply voltage | V_{CC} | 1.8 to 3.6 | V |
| | | 1.2 to 3.6 (Note 2) | |
| Input voltage (\overline{OEAB} , \overline{OEBA} , \overline{LEAB} , $LEBA$, $CEAB$, $CEBA$) | V_{IN} | -0.3 to 3.6 | V |
| Bus I/O voltage | $V_{I/O}$ | 0 to 3.6 (Note 3) | V |
| | | 0 to V_{CC} (Note 4) | |
| Output current | I_{OH}/I_{OL} | ± 24 (Note 5) | mA |
| | | ± 18 (Note 6) | |
| | | ± 6 (Note 7) | |
| Operating temperature | T_{opr} | -40 to 85 | °C |
| Input rise and fall time | dt/dv | 0 to 10 (Note 8) | ns/V |

Note 1: The operating ranges must be maintained to ensure the normal operation of the device. Unused inputs must be tied to either V_{CC} or GND.

Note 2: Data retention only

Note 3: OFF state

Note 4: High or low state

Note 5: $V_{CC} = 3.0$ to 3.6 V

Note 6: $V_{CC} = 2.3$ to 2.7 V

Note 7: $V_{CC} = 1.8$ V

Note 8: $V_{IN} = 0.8$ to 2.0 V, $V_{CC} = 3.0$ V

Electrical Characteristics

DC Characteristics (Ta = -40 to 85°C, 2.7 V < VCC ≤ 3.6 V)

| Characteristics | | Symbol | Test Condition | | VCC (V) | Min | Max | Unit |
|---------------------------------------|---------|------------------|---|---------------------------|------------|-----------------------|-------|------|
| | | | | | | | | |
| Input voltage | H-level | V _{IH} | — | | 2.7 to 3.6 | 2.0 | — | V |
| | L-level | V _{IL} | — | | 2.7 to 3.6 | — | 0.8 | |
| Output voltage | H-level | V _{OH} | V _{IN} = V _{IH} or V _{IL} | I _{OH} = -100 μA | 2.7 to 3.6 | V _{CC} - 0.2 | — | V |
| | | | | I _{OH} = -12 mA | 2.7 | 2.2 | — | |
| | | | | I _{OH} = -18 mA | 3.0 | 2.4 | — | |
| | | | | I _{OH} = -24 mA | 3.0 | 2.2 | — | |
| | L-level | V _{OL} | V _{IN} = V _{IH} or V _{IL} | I _{OL} = 100 μA | 2.7 to 3.6 | — | 0.2 | |
| | | | | I _{OL} = 12 mA | 2.7 | — | 0.4 | |
| | | | | I _{OL} = 18 mA | 3.0 | — | 0.4 | |
| | | | | I _{OL} = 24 mA | 3.0 | — | 0.55 | |
| Input leakage current | | I _{IN} | V _{IN} = 0 to 3.6 V | | 2.7 to 3.6 | — | ±5.0 | μA |
| 3-state output OFF state current | | I _{OZ} | V _{IN} = V _{IH} or V _{IL} V _{OUT} = 0 to 3.6 V | | 2.7 to 3.6 | — | ±10.0 | μA |
| Power-off leakage current | | I _{OFF} | V _{IN} , V _{OUT} = 0 to 3.6 V | | 0 | — | 10.0 | μA |
| Quiescent supply current | | I _{CC} | V _{IN} = V _{CC} or GND | | 2.7 to 3.6 | — | 20.0 | μA |
| | | | V _{CC} ≤ (V _{IN} , V _{OUT}) ≤ 3.6 V | | 2.7 to 3.6 | — | ±20.0 | |
| Increase in I _{CC} per input | | ΔI _{CC} | V _{IH} = V _{CC} - 0.6 V | | 2.7 to 3.6 | — | 750 | |

DC Characteristics (Ta = -40 to 85°C, 2.3 V ≤ VCC ≤ 2.7 V)

| Characteristics | | Symbol | Test Condition | | VCC (V) | Min | Max | Unit |
|----------------------------------|---------|------------------|---|---------------------------|------------|-----------------------|------------------------------|------|
| | | | | | | | | |
| Input voltage | H-level | V _{IH} | — | | 2.3 to 2.7 | 1.6 | — | V |
| | L-level | V _{IL} | — | | 2.3 to 2.7 | — | 0.7 | |
| Output voltage | H-level | V _{OH} | V _{IN} = V _{IH} or V _{IL} | I _{OH} = -100 μA | 2.3 to 2.7 | V _{CC} - 0.2 | — | V |
| | | | | I _{OH} = -6 mA | 2.3 | 2.0 | — | |
| | | | | I _{OH} = -12 mA | 2.3 | 1.8 | — | |
| | | | | I _{OH} = -18 mA | 2.3 | 1.7 | — | |
| | L-level | V _{OL} | V _{IN} = V _{IH} or V _{IL} | I _{OL} = 100 μA | 2.3 to 2.7 | — | 0.2 | |
| | | | | I _{OL} = 12 mA | 2.3 | — | 0.4 | |
| | | | | I _{OL} = 18 mA | 2.3 | — | 0.6 | |
| | | | | Input leakage current | | I _{IN} | V _{IN} = 0 to 3.6 V | |
| 3-state output OFF state current | | I _{OZ} | V _{IN} = V _{IH} or V _{IL} V _{OUT} = 0 to 3.6 V | | 2.3 to 2.7 | — | ±10.0 | μA |
| Power-off leakage current | | I _{OFF} | V _{IN} , V _{OUT} = 0 to 3.6 V | | 0 | — | 10.0 | μA |
| Quiescent supply current | | I _{CC} | V _{IN} = V _{CC} or GND | | 2.3 to 2.7 | — | 20.0 | μA |
| | | | V _{CC} ≤ (V _{IN} , V _{OUT}) ≤ 3.6 V | | 2.3 to 2.7 | — | ±20.0 | |

DC Characteristics (Ta = -40 to 85°C, 1.8 V ≤ VCC < 2.3 V)

| Characteristics | | Symbol | Test Condition | | VCC (V) | Min | Max | Unit |
|----------------------------------|---------|------------------|---|---------------------------|------------|-----------------------|-----------------------|------|
| | | | | | | | | |
| Input voltage | H-level | V _{IH} | — | | 1.8 to 2.3 | 0.7 × V _{CC} | — | V |
| | L-level | V _{IL} | — | | 1.8 to 2.3 | — | 0.2 × V _{CC} | |
| Output voltage | H-level | V _{OH} | V _{IN} = V _{IH} or V _{IL} | I _{OH} = -100 μA | 1.8 | V _{CC} - 0.2 | — | V |
| | | | | I _{OH} = -6 mA | 1.8 | 1.4 | — | |
| | L-level | V _{OL} | V _{IN} = V _{IH} or V _{IL} | I _{OL} = 100 μA | 1.8 | — | 0.2 | |
| | | | | I _{OL} = 6 mA | 1.8 | — | 0.3 | |
| Input leakage current | | I _{IN} | V _{IN} = 0 to 3.6 V | | 1.8 | — | ±5.0 | μA |
| 3-state output OFF state current | | I _{OZ} | V _{IN} = V _{IH} or V _{IL} V _{OUT} = 0 to 3.6 V | | 1.8 | — | ±10.0 | μA |
| Power-off leakage current | | I _{OFF} | V _{IN} , V _{OUT} = 0 to 3.6 V | | 0 | — | 10.0 | μA |
| Quiescent supply current | | I _{CC} | V _{IN} = V _{CC} or GND | | 1.8 | — | 20.0 | μA |
| | | | V _{CC} ≤ (V _{IN} , V _{OUT}) ≤ 3.6 V | | 1.8 | — | ±20.0 | |

AC Characteristics (Ta = -40 to 85°C, input: tr = tf = 2.0 ns, CL = 30 pF, RL = 500 Ω) (Note 1)

| Characteristics | Symbol | Test Condition | VCC (V) | Min | Max | Unit |
|---|--|------------------------------|-----------|-----|-----|------|
| | | | | | | |
| Propagation delay time (An, Bn-Bn, An) | t _{pLH} t _{pHL} | Figure 1, Figure 2 | 1.8 | 1.5 | 8.0 | ns |
| | | | 2.5 ± 0.2 | 0.8 | 4.0 | |
| | | | 3.3 ± 0.3 | 0.6 | 3.5 | |
| Propagation delay time (LEAB, LEBA-Bn, An) | t _{pLH} t _{pHL} | Figure 1, Figure 2 | 1.8 | 1.5 | 9.8 | ns |
| | | | 2.5 ± 0.2 | 0.8 | 5.0 | |
| | | | 3.3 ± 0.3 | 0.6 | 3.9 | |
| 3-state output enable time (OEAB, OEBA, CEAB, CEBA) | t _{pZL} t _{pZH} | Figure 1, Figure 4 | 1.8 | 1.5 | 9.8 | ns |
| | | | 2.5 ± 0.2 | 0.8 | 4.9 | |
| | | | 3.3 ± 0.3 | 0.6 | 3.8 | |
| 3-state output disable time (OEAB, OEBA, CEAB, CEBA) | t _{pLZ} t _{pHZ} | Figure 1, Figure 4 | 1.8 | 1.5 | 7.6 | ns |
| | | | 2.5 ± 0.2 | 0.8 | 4.2 | |
| | | | 3.3 ± 0.3 | 0.6 | 3.7 | |
| Minimum pulse width (LEAB, LEBA, CEAB, CEBA) | t _{w(L)} | Figure 1, Figure 2, Figure 3 | 1.8 | 4.0 | — | ns |
| | | | 2.5 ± 0.2 | 1.5 | — | |
| | | | 3.3 ± 0.3 | 1.5 | — | |
| Minimum set-up time (An, Bn-LE, CE) | t _s | Figure 1, Figure 2, Figure 3 | 1.8 | 2.5 | — | ns |
| | | | 2.5 ± 0.2 | 1.5 | — | |
| | | | 3.3 ± 0.3 | 1.5 | — | |
| Minimum hold time (An, Bn-LE, CE) | t _h | Figure 1, Figure 2, Figure 3 | 1.8 | 1.0 | — | ns |
| | | | 2.5 ± 0.2 | 1.0 | — | |
| | | | 3.3 ± 0.3 | 1.0 | — | |
| Output to output skew | t _{osLH} t _{osHL} | (Note 2) | 1.8 | — | 0.5 | ns |
| | | | 2.5 ± 0.2 | — | 0.5 | |
| | | | 3.3 ± 0.3 | — | 0.5 | |

Note 1: For C_L = 50 pF, add approximately 300 ps to the AC maximum specification.

Note 2: Parameter guaranteed by design.

(t_{osLH} = |t_{pLHm} - t_{pLHn}|, t_{osHL} = |t_{pHLm} - t_{pHLn}|)

Dynamic Switching Characteristics

($T_a = 25^\circ\text{C}$, input: $t_r = t_f = 2.0 \text{ ns}$, $C_L = 30 \text{ pF}$, $R_L = 500 \Omega$)

| Characteristics | Symbol | Test Condition | V _{CC} (V) | Typ. | Unit |
|--|------------------|---|---------------------|-------|------|
| | | | | | |
| Quiet output maximum dynamic V _{OL} | V _{OLP} | V _{IH} = 1.8 V, V _{IL} = 0 V (Note) | 1.8 | 0.25 | V |
| | | V _{IH} = 2.5 V, V _{IL} = 0 V (Note) | 2.5 | 0.6 | |
| | | V _{IH} = 3.3 V, V _{IL} = 0 V (Note) | 3.3 | 0.8 | |
| Quiet output minimum dynamic V _{OL} | V _{OLV} | V _{IH} = 1.8 V, V _{IL} = 0 V (Note) | 1.8 | -0.25 | V |
| | | V _{IH} = 2.5 V, V _{IL} = 0 V (Note) | 2.5 | -0.6 | |
| | | V _{IH} = 3.3 V, V _{IL} = 0 V (Note) | 3.3 | -0.8 | |
| Quiet output minimum dynamic V _{OH} | V _{OHV} | V _{IH} = 1.8 V, V _{IL} = 0 V (Note) | 1.8 | 1.5 | V |
| | | V _{IH} = 2.5 V, V _{IL} = 0 V (Note) | 2.5 | 1.9 | |
| | | V _{IH} = 3.3 V, V _{IL} = 0 V (Note) | 3.3 | 2.2 | |

Note: Parameter guaranteed by design.

Capacitive Characteristics ($T_a = 25^\circ\text{C}$)

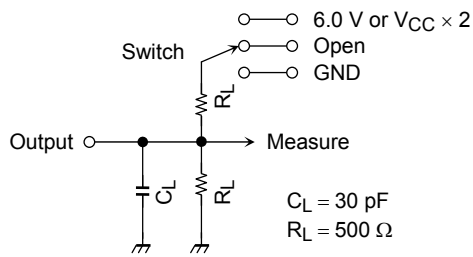
| Characteristics | Symbol | Test Condition | V _{CC} (V) | Typ. | Unit |
|-------------------------------|------------------|----------------|---------------------------------|---------------|------|
| | | | | | |
| Input capacitance | C _{IN} | — | 1.8, 2.5, 3.3 | 6 | pF |
| Bus I/O capacitance | C _{I/O} | | 1.8, 2.5, 3.3 | 7 | pF |
| Power dissipation capacitance | C _{PD} | | f _{IN} = 10 MHz (Note) | 1.8, 2.5, 3.3 | 20 |

Note: C_{PD} is defined as the value of the internal equivalent capacitance which is calculated from the operating current consumption without load.

Average operating current can be obtained by the equation:

$$I_{CC(\text{opr})} = C_{PD} \cdot V_{CC} \cdot f_{IN} + I_{CC}/16 \text{ (per bit)}$$

AC Test Circuit



| Parameter | Switch |
|--------------------|--|
| t_{pLH}, t_{pHL} | Open |
| t_{pLZ}, t_{pZL} | 6.0 V $V_{CC} \times 2$ |
| | @ $V_{CC} = 3.3 \pm 0.3 \text{ V}$ @ $V_{CC} = 2.5 \pm 0.2 \text{ V}$ @ $V_{CC} = 1.8 \text{ V}$ |
| t_{pHZ}, t_{pZH} | GND |

Figure 1

AC Waveform

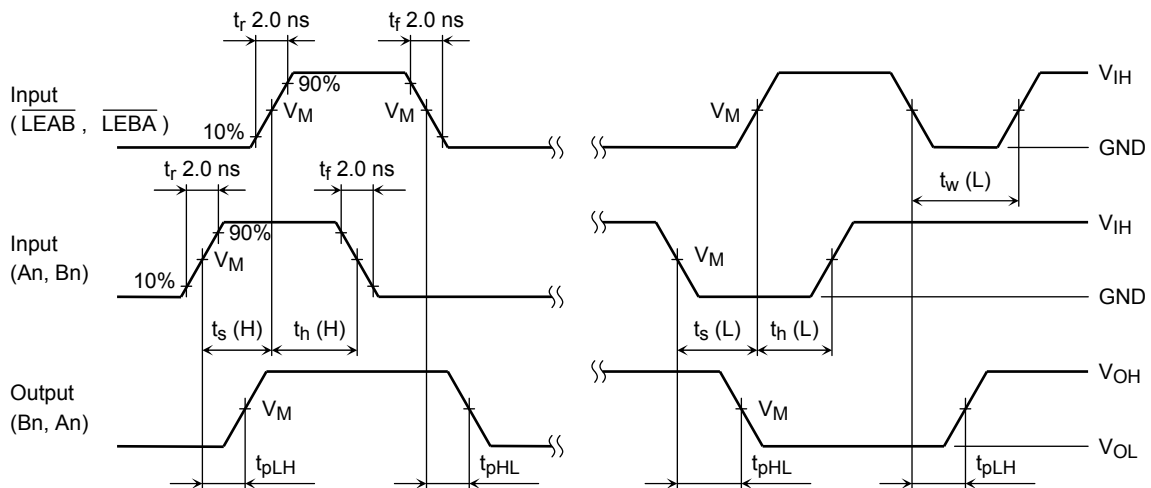


Figure 2 $t_{pLH}, t_{pHL}, t_w, t_s, t_h$

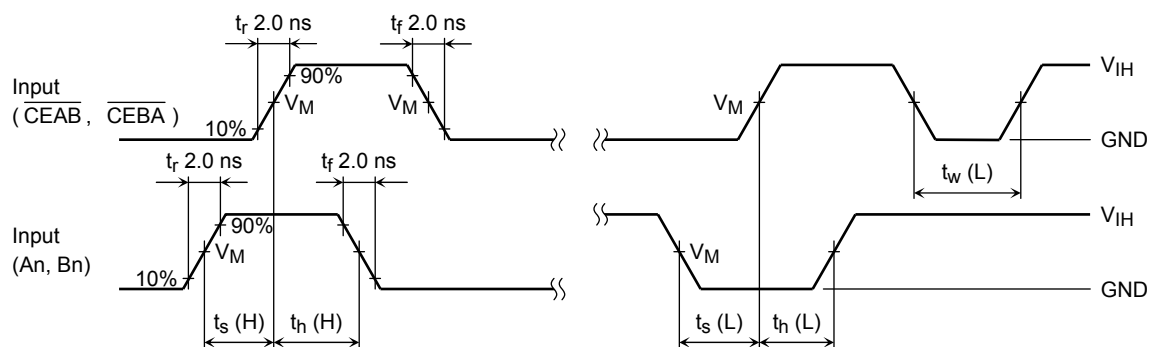


Figure 3 t_w, t_s, t_h

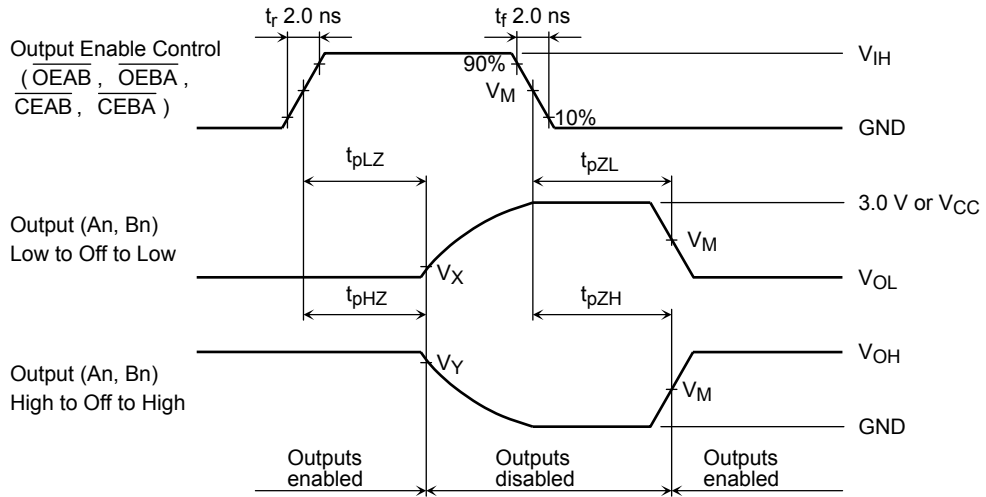


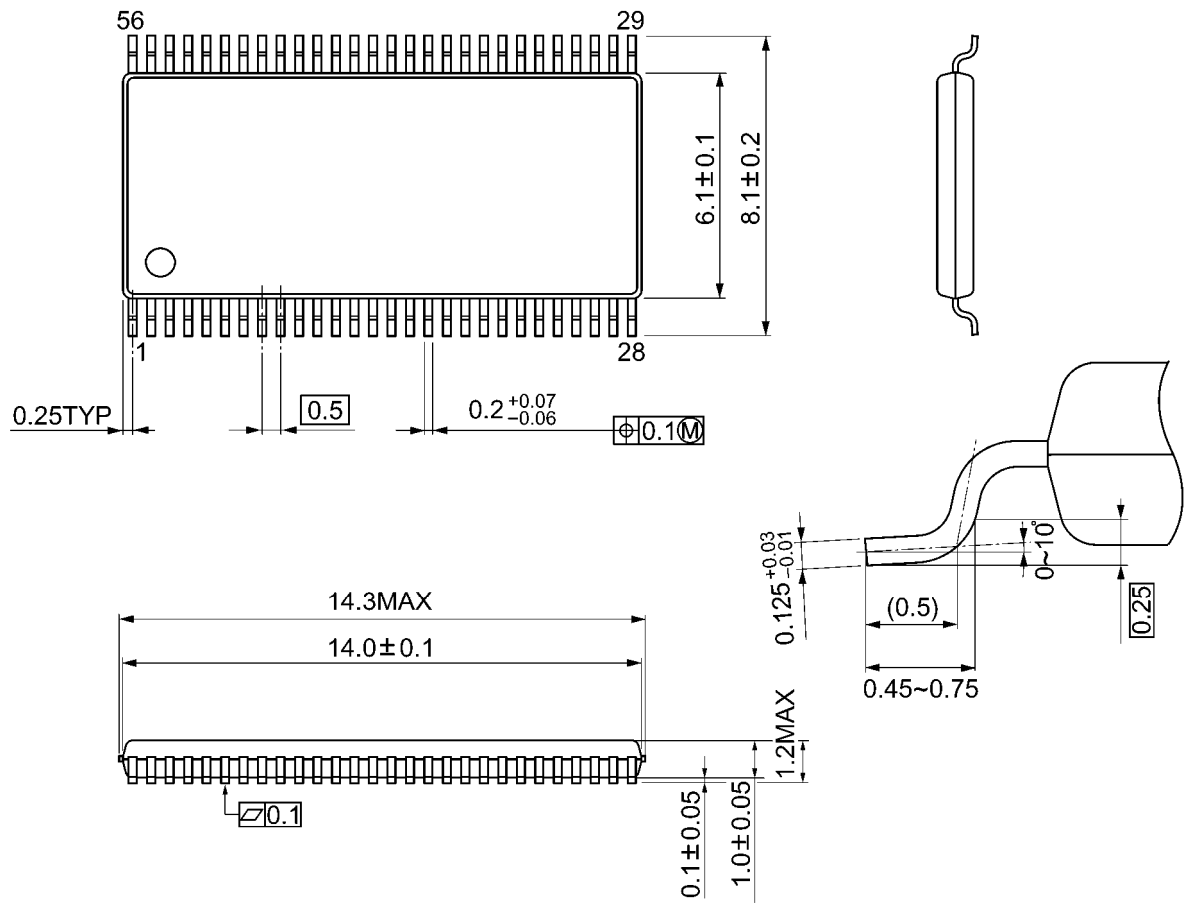
Figure 4 t_{pLZ} , t_{pHZ} , t_{pZL} , t_{pZH}

| Symbol | V_{CC} | | |
|----------|--------------------------|---------------------------|---------------------------|
| | $3.3 \pm 0.3 \text{ V}$ | $2.5 \pm 0.2 \text{ V}$ | 1.8 V |
| V_{IH} | 2.7 V | V_{CC} | V_{CC} |
| V_M | 1.5 V | $V_{CC}/2$ | $V_{CC}/2$ |
| V_X | $V_{OL} + 0.3 \text{ V}$ | $V_{OL} + 0.15 \text{ V}$ | $V_{OL} + 0.15 \text{ V}$ |
| V_Y | $V_{OH} - 0.3 \text{ V}$ | $V_{OH} - 0.15 \text{ V}$ | $V_{OH} - 0.15 \text{ V}$ |

Package Dimensions

TSSOP56-P-0061-0.50A

Unit: mm



Weight: 0.25 g (typ.)

RESTRICTIONS ON PRODUCT USE

- Toshiba Corporation, and its subsidiaries and affiliates (collectively "TOSHIBA"), reserve the right to make changes to the information in this document, and related hardware, software and systems (collectively "Product") without notice.
- This document and any information herein may not be reproduced without prior written permission from TOSHIBA. Even with TOSHIBA's written permission, reproduction is permissible only if reproduction is without alteration/omission.
- Though TOSHIBA works continually to improve Product's quality and reliability, Product can malfunction or fail. Customers are responsible for complying with safety standards and for providing adequate designs and safeguards for their hardware, software and systems which minimize risk and avoid situations in which a malfunction or failure of Product could cause loss of human life, bodily injury or damage to property, including data loss or corruption. Before creating and producing designs and using, customers must also refer to and comply with (a) the latest versions of all relevant TOSHIBA information, including without limitation, this document, the specifications, the data sheets and application notes for Product and the precautions and conditions set forth in the "TOSHIBA Semiconductor Reliability Handbook" and (b) the instructions for the application that Product will be used with or for. Customers are solely responsible for all aspects of their own product design or applications, including but not limited to (a) determining the appropriateness of the use of this Product in such design or applications; (b) evaluating and determining the applicability of any information contained in this document, or in charts, diagrams, programs, algorithms, sample application circuits, or any other referenced documents; and (c) validating all operating parameters for such designs and applications. **TOSHIBA ASSUMES NO LIABILITY FOR CUSTOMERS' PRODUCT DESIGN OR APPLICATIONS.**
- Product is intended for use in general electronics applications (e.g., computers, personal equipment, office equipment, measuring equipment, industrial robots and home electronics appliances) or for specific applications as expressly stated in this document. Product is neither intended nor warranted for use in equipment or systems that require extraordinarily high levels of quality and/or reliability and/or a malfunction or failure of which may cause loss of human life, bodily injury, serious property damage or serious public impact ("Unintended Use"). Unintended Use includes, without limitation, equipment used in nuclear facilities, equipment used in the aerospace industry, medical equipment, equipment used for automobiles, trains, ships and other transportation, traffic signaling equipment, equipment used to control combustions or explosions, safety devices, elevators and escalators, devices related to electric power, and equipment used in finance-related fields. Do not use Product for Unintended Use unless specifically permitted in this document.
- Do not disassemble, analyze, reverse-engineer, alter, modify, translate or copy Product, whether in whole or in part.
- Product shall not be used for or incorporated into any products or systems whose manufacture, use, or sale is prohibited under any applicable laws or regulations.
- The information contained herein is presented only as guidance for Product use. No responsibility is assumed by TOSHIBA for any infringement of patents or any other intellectual property rights of third parties that may result from the use of Product. No license to any intellectual property right is granted by this document, whether express or implied, by estoppel or otherwise.
- **ABSENT A WRITTEN SIGNED AGREEMENT, EXCEPT AS PROVIDED IN THE RELEVANT TERMS AND CONDITIONS OF SALE FOR PRODUCT, AND TO THE MAXIMUM EXTENT ALLOWABLE BY LAW, TOSHIBA (1) ASSUMES NO LIABILITY WHATSOEVER, INCLUDING WITHOUT LIMITATION, INDIRECT, CONSEQUENTIAL, SPECIAL, OR INCIDENTAL DAMAGES OR LOSS, INCLUDING WITHOUT LIMITATION, LOSS OF PROFITS, LOSS OF OPPORTUNITIES, BUSINESS INTERRUPTION AND LOSS OF DATA, AND (2) DISCLAIMS ANY AND ALL EXPRESS OR IMPLIED WARRANTIES AND CONDITIONS RELATED TO SALE, USE OF PRODUCT, OR INFORMATION, INCLUDING WARRANTIES OR CONDITIONS OF MERCHANTABILITY, FITNESS FOR A PARTICULAR PURPOSE, ACCURACY OF INFORMATION, OR NONINFRINGEMENT.**
- Do not use or otherwise make available Product or related software or technology for any military purposes, including without limitation, for the design, development, use, stockpiling or manufacturing of nuclear, chemical, or biological weapons or missile technology products (mass destruction weapons). Product and related software and technology may be controlled under the Japanese Foreign Exchange and Foreign Trade Law and the U.S. Export Administration Regulations. Export and re-export of Product or related software or technology are strictly prohibited except in compliance with all applicable export laws and regulations.
- Please contact your TOSHIBA sales representative for details as to environmental matters such as the RoHS compatibility of Product. Please use Product in compliance with all applicable laws and regulations that regulate the inclusion or use of controlled substances, including without limitation, the EU RoHS Directive. TOSHIBA assumes no liability for damages or losses occurring as a result of noncompliance with applicable laws and regulations.