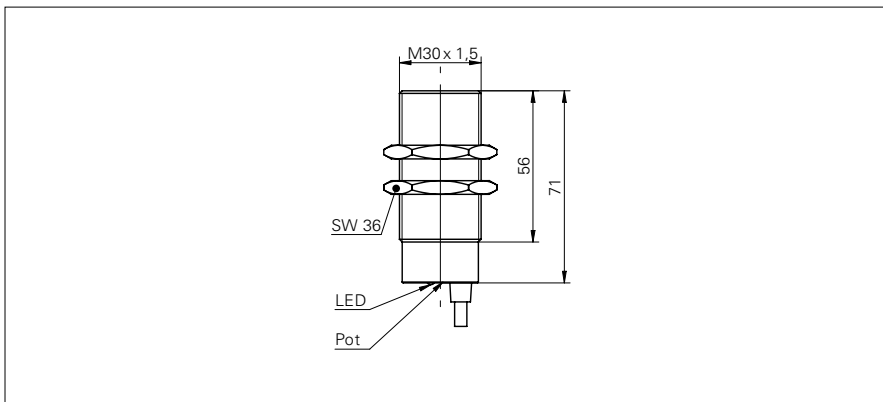


## Capacitive proximity sensors

## CFAK 30N1600

## dimension drawing



## general data

nominal sensing distance $S_n$	15 mm
nominal sensing distance $S_n$ adjustable	4 ... 15 mm
mounting type	shielded
temperature drift	$\pm 15\%$ (+10 ... +70 °C)
sensitivity adjustment	potentiometer
output indicator	LED yellow

## electrical data

voltage supply range +Vs	10 ... 30 VDC
current consumption max. (no load)	20 mA
output circuit	NPN make function (NO)
output current	< 200 mA
voltage drop Vd	< 1,5 VDC
switching frequency	< 50 Hz
short circuit protection	yes
reverse polarity protection	yes

## mechanical data

type	cylindrical threaded
housing material	PBT
dimension	30 mm
housing length	71 mm
connection types	cable, 2 m

## ambient conditions

operating temperature	-25 ... +75 °C
protection class	IP 65

## photo



## connection diagram

