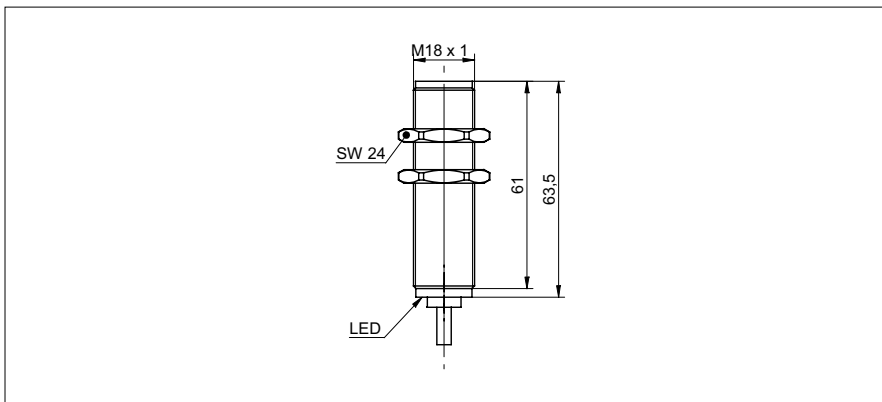


## Capacitive proximity sensors

CFAK 18N3100

## dimension drawing



## general data

nominal sensing distance $S_n$	5 mm
mounting type	unshielded
GND electrode	no
temperature drift	$\pm 15\%$ (0 ... +70 °C)
sensitivity adjustment	no
output indicator	LED yellow

## electrical data

voltage supply range +Vs	10 ... 30 VDC
current consumption max. (no load)	20 mA
output circuit	NPN break function (NC)
output current	< 200 mA
voltage drop Vd	< 1,5 VDC
switching frequency	< 50 Hz
short circuit protection	yes
reverse polarity protection	yes

## mechanical data

type	cylindrical threaded
housing material	PBT
dimension	18 mm
housing length	63,5 mm
connection types	cable, 2 m

## ambient conditions

operating temperature	-25 ... +75 °C
protection class	IP 67/65 (sensing face/sensor)

## field of application

detection of non-conductive media	yes
fill level detection through container	yes
liquids in direct contact	yes
object detection	yes

## photo



## connection diagram

