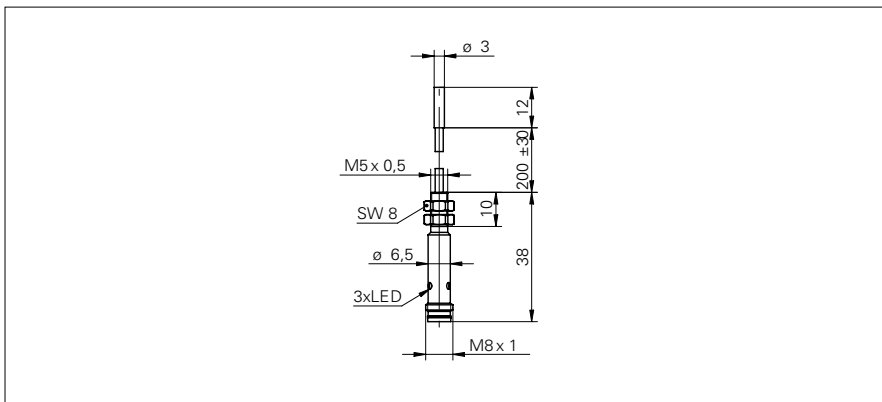


## Inductive proximity switch

## IFRM 03P3505/CS35L

## dimension drawing



## general data

mounting type	shielded
nominal sensing distance $S_n$	0,8 mm
hysteresis	2 ... 20 % of $S_r$
output indicator	3 port LED red

## electrical data

switching frequency	< 3 kHz
voltage supply range +Vs	10 ... 30 VDC
current consumption max. (no load)	12 mA
output circuit	PNP break function (NC)
voltage drop $V_d$	< 2 VDC
output current	< 100 mA
short circuit protection	yes
reverse polarity protection	yes

## mechanical data

type	cylindrical smooth
material (sensing face)	POM
housing material	stainless steel
dimension	3 mm
housing length	12 mm
connection types	connector M8

## ambient conditions

operating temperature	-25 ... +75 °C
protection class	IP 67

## photo



## connection diagram



- cable amplifier with M8 x 1 connector
- 12 mm housing length