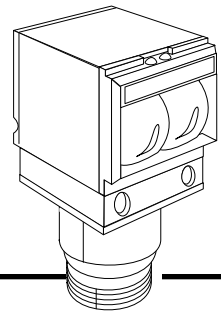
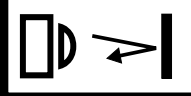


Compact

Photoelectric Sensors

Diffuse Proximity



Photoelectric Sensors

- Programmable Controller Compatible
- NPN/PNP wire selectable
- Integral yoke bracket provides four 90°-indexed mounting positions
- Light/dark operate user selectable for optimum flexibility and minimum inventory
- Sensitivity gain adjust (all models)
- 2 wire AC, 3 wire AC, or 4 wire DC circuit types
- Dual LED status indicators

If you need a reliable photoelectric sensor, you can't do much better than the EP230 series. Only 2.45 inches high, it fits in the tightest spots. For easy installation, its "U"-shaped yoke slips off, allowing you to rotate the sensor in 90° increments.

A wide variety of configurations are available to fit your specific needs. Diffuse proximity sensing should be used when the following conditions exist: (1) the object itself is sufficiently reflective to return incident light to the receiver photodiode; (2) the installation of a reflector on the opposite side of the object is impractical.

The EP230 series of sensors is backed by Namco's Lifetime Replacement Program.

LED Functions

PHOTOELECTRIC SWITCH FUNCTION				
Type	Sensor Receiver Recognizes	Status Output	Status LED	
			Ready	Target
L.O.	DARK	OPEN	ON	OFF
L.O.	LIGHT	CLOSED	OFF	ON
D.O.	LIGHT	OPEN	ON	OFF
D.O.	DARK	CLOSED	OFF	ON

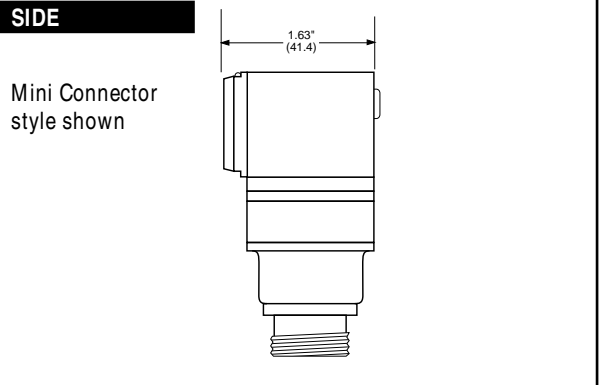
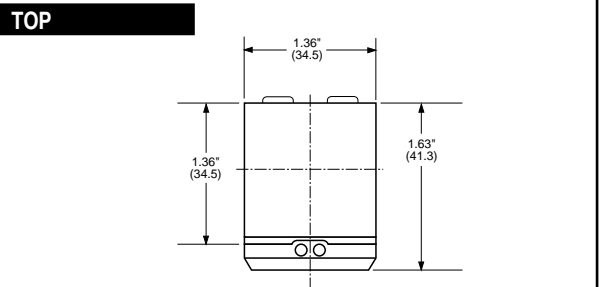
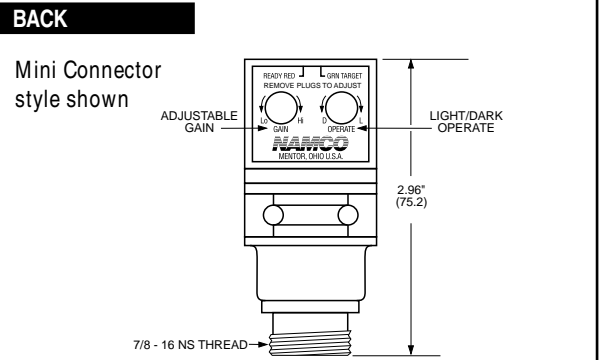
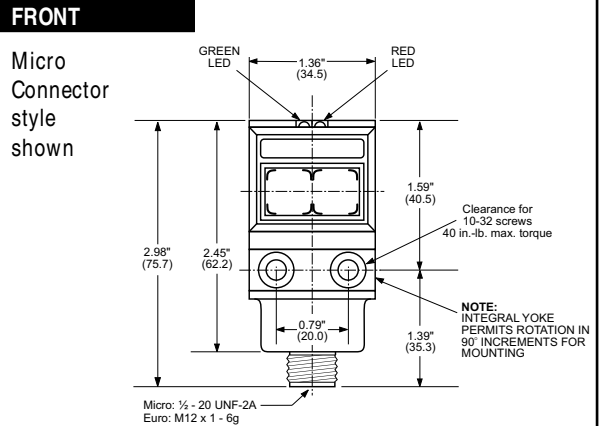
Termination Type	Power Consumption	Output Circuit Type	Model No.	Output Rating	Leakage Current	Voltage Drop	Response Time On/Off	Maximum Switching Frequency
2-WIRE AC 20-150V								
3-pin Mini	0.3W @ 120 VAC	2W	EP230-24400	500mA	1.7mA	≤10V	30ms	15 Hz
3-pin Micro	0.3W @ 120 VAC	2W	EP230-24420	500mA	1.7mA	≤10V	30ms	15 Hz
6' Cable	0.3W @ 120 VAC	2W	EP230-24410	500mA	1.7mA	≤10V	30ms	15 Hz
3-WIRE AC 85-132V								
3-pin Mini	0.7W @ 120 VAC	3W	EP230-24600	500mA	—	≤2.5V	15ms	33 Hz
4-pin Micro	0.7W @ 120 VAC	3W	EP230-24620	500mA	—	≤2.5V	15ms	33 Hz
6' Cable	0.7W @ 120 VAC	3W	EP230-24610	500mA	—	≤2.5V	15ms	33 Hz
4-WIRE DC 10-30V								
4-pin Mini	0.9W @ 30 VDC	4W, NPN & PNP	EP230-24500	200mA	—	0.8V: NPN @ 100mA 2.0V: PNP @ 100mA	2ms	250 Hz
4-pin Euro	0.9W @ 30 VDC	4W, NPN & PNP	EP230-24520	200mA	—	0.8V: NPN @ 100mA 2.0V: PNP @ 100mA	2ms	250 Hz
6' Cable	0.9W @ 30 VDC	4W, NPN & PNP	EP230-24510	200mA	—	0.8V: NPN @ 100mA 2.0V: PNP @ 100mA	2ms	250 Hz

Common Sensor Characteristics

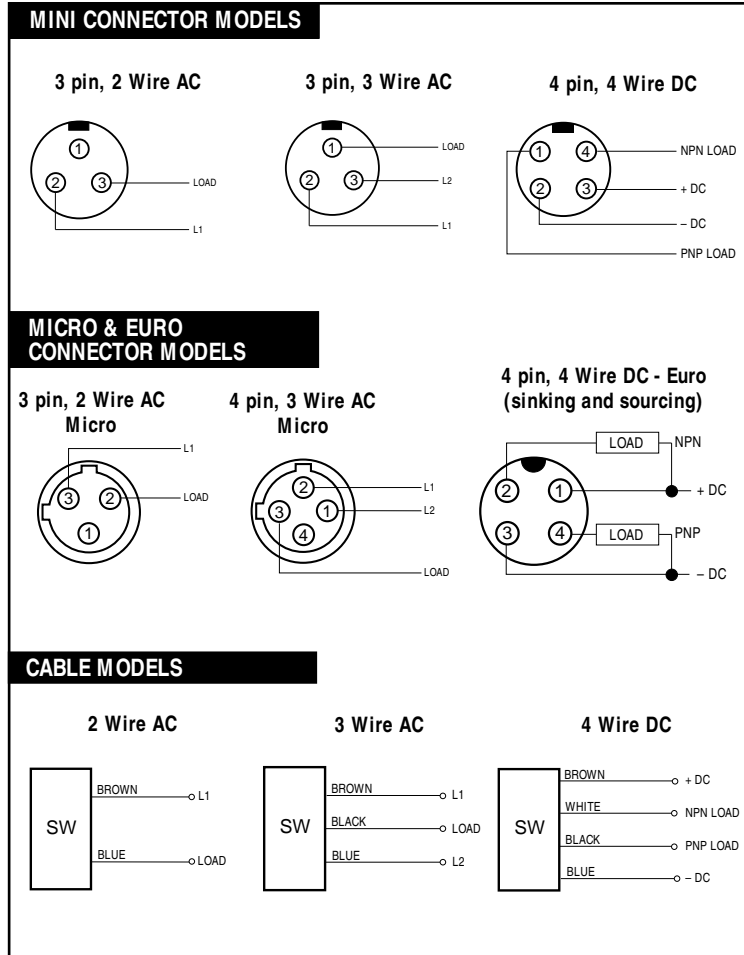
DIFFUSE PROXIMITY COMPACT SENSORS	
Sensing Range	30**
Standard Target	White Bond Paper
Light Source	Modulated Infrared LED
Light/Dark Operate — Selectable	yes
Sensitivity Adjustment	yes
Ambient Temperature Range	-20°C to +70°C
Reverse Polarity Protected	4W DC only
Short Circuit Protected	no
NEMA Enclosure Type	3, 4, 5, 12, 13
Dual LED Indicators	yes
Plastic Housing Material	Rynite®
Shipping Weight	6 oz.

* Using White Bond Paper
 ® Thermal Plastic Polyester Resin, Registered Trademark of E.I. Dupont

Dimensional Drawings



Circuit Drawings



Photoelectric Sensors



2013 West Meeting Street • Lancaster, SC 29720
 1-803-286-8491 • FAX: 1-800-678-6263
 www.namcocontrols.com

For technical assistance, call 1-800-NAMTECH