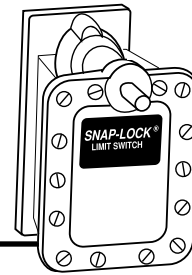


Single Pole
Severe Environment

Limit Switches

Butt
Contacts



Limit Switches

Severe Environment Limit Switches are available on the three standard series of Snap-Lock switches. Regularly furnished with wide or long mounting.

EA990 Single Pole 1 N.O. - 1 N.C. / Standard / Butt Contacts

| Standard Mounting Model No. | Wide Mounting Model No. | Long Mounting Model No. | Dir. Of Operation | Angle A Trip Travel | Angle B Reset Travel | Angle C Recom. Travel | Angle D Total Travel | Angle E Min. Travel to Maintain | Angle F Overall Travel | Torque (inch lbs) | Contact Config. |
|--|-------------------------|-------------------------|-------------------|---------------------|----------------------|-----------------------|----------------------|---------------------------------|------------------------|-------------------|-----------------|
| STANDARD TRAVEL/ ROCKER TYPE | | | | | | | | | | | |
| CW | | | | | | | | | | | |
| — | EA990-00125 | EA990-00115 | CW | 10° | 8° | 13° | 38° | - | - | 14 | A |
| CW / REVERSE SHAFT | | | | | | | | | | | |
| — | EA990-00535 | — | CW | 10° | 8° | 13° | 38° | - | - | 14 | A |
| CCW | | | | | | | | | | | |
| — | EA990-20055 | EA990-20035 | CCW | 10° | 8° | 13° | 38° | - | - | 14 | B |
| MAINTAINED CONTACT AND LEVER POSITION | | | | | | | | | | | |
| — | EA990-30025 | EA990-30045 | Maintain | 10° | 8° | 13° | 38° | - | - | 5 | - |

Common Switch Characteristics

| SINGLE POLE, SEVERE ENVIRONMENT, BUTT CONTACTS | |
|--|----------------------------|
| Housing Material | Zinc |
| Ambient Temperature Range | -20°C to +90°C |
| Shipping Weight | 3.7 lbs. approx. |
| Lever Adjustment | 7°30' Increments Thru 360° |
| Contacts | Butt, Silver Alloy, Form Z |

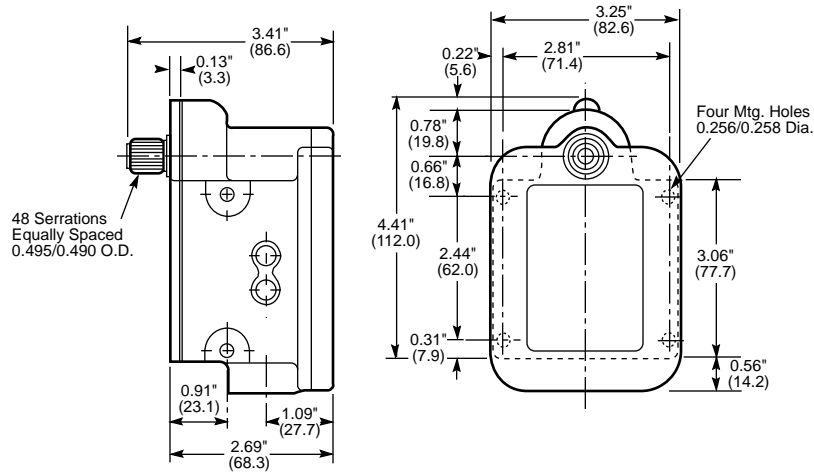
Continuous Current Rating - Amperes

| VOLTAGE | AC | DC |
|---------|------|-----|
| 125 | 20.0 | 5.0 |
| 250 | 15.0 | 1.5 |
| 480 | 10.0 | - |
| 600 | 5.0 | - |

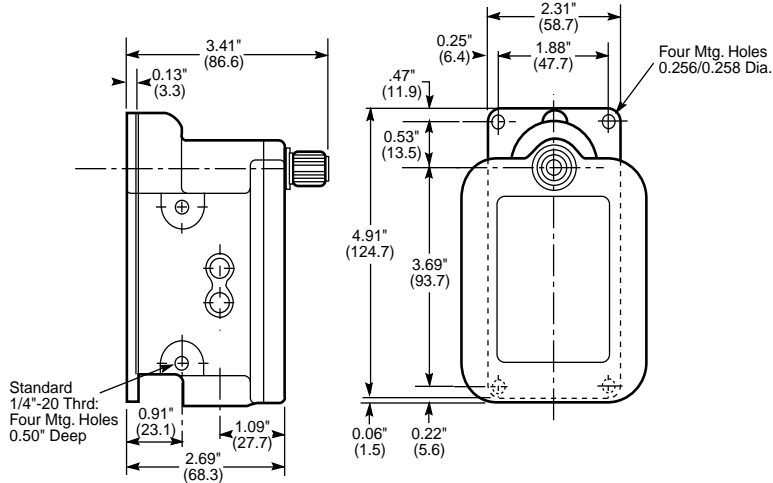
75-100% Power Factor

See Operating Levers Section

WIDE MOUNTING PLATE



LONG MOUNTING PLATE

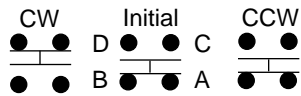


Dimensions: inches/(mm)

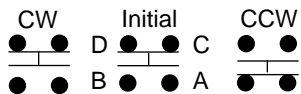
Limit Switches

Contact Configurations

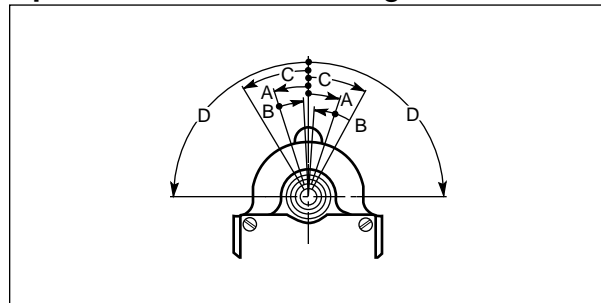
CIRCUIT A



CIRCUIT B



Operational Data Drawings



2013 West Meeting Street • Lancaster, SC 29720
 1-803-286-8491 • FAX: 1-800-678-6263
 www.namcocontrols.com

For technical assistance, call 1-800-NAMTECH