

EA140 — Standard

Single pole, double throw, double break limit switch having mechanical travel of 14.83° to trip with one normally open and one normally closed circuit.

EA130 — Short Travel

Single pole, double throw, double break limit switch having mechanical travel of 5.8° to trip with one normally open and one normally closed circuit.

EA130 — Neutral Position

Single pole, double throw, double break limit switch having mechanical travel of 7° to trip with normally open contacts.

EA730

Construction — The aluminum housing with epoxy paint and high quality stainless steel shaft provide a high degree of corrosion resistance. Sealing against leakage is achieved through the use of high quality gaskets on machined surfaces and “O” ring protection, plus close tolerance between the shaft and bushing.

Durability — All internal components are of high grade stainless steel or copper alloy, chrome plated when required, to protect against bearing surface wear and to provide millions of operations.

Contacts — The EA730 switches are available with sliding contact arrangement 1 N.O.-1 N.C. Operation direction available CW, CCW or CW/CCW.

Levers — A variety of corrosion resistant levers are available to meet specific actuating requirements.

EA130, EA140 & EA730 Single Pole 1 N.O. - 1 N.C. Butt / Sliding Contacts

Standard Mounting Model No.	Wide Mounting Model No.	Long Mounting Model No.	Dir. Of Operation	Angle A Trip Travel	Angle B Reset Travel	Angle C Recom. Travel	Angle D Total Travel	Angle E Min. Travel to Maintain	Angle F Overall Travel	Torque (inch lbs)	Contact Config.
STANDARD TRAVEL / ROCKER TYPE / BUTT CONTACTS											
EA140-12200	EA140-22200	—	CW	14.83°	12.3°	16.5°	41.5°	—	—	15	A
EA140-11200	EA140-21200	EA140-31200	CCW	14.83°	12.3°	16.5°	41.5°	—	—	15	B
—	EA140-23200	—	Maintain	14.83°	12.3°	16.5°	41.5°	—	—	5.5	-
STANDARD TRAVEL / ROCKER TYPE / BUTT CONTACTS											
—	—	EA140-32300	CW	14.83°	12.3°	16.5°	41.5°	—	—	15	A
EA140-11300	—	—	CCW	14.83°	12.3°	16.5°	41.5°	—	—	15	B
SHORT TRAVEL / ROCKER TYPE / BUTT CONTACTS											
EA130-11202	EA130-21202	EA130-31202	CW	5.8°	4°	8°	26°	—	—	22	A
EA130-12202	EA130-22202	—	CCW	5.8°	4°	8°	26°	—	—	22	B
SHORT TRAVEL / ROCKER TYPE / HI - TEMP / BUTT CONTACTS											
—	—	EA130-31302	CW	5.8°	4°	8°	26°	—	—	22	A
NEUTRAL POSITION / ROCKER TYPE / BUTT CONTACTS											
EA130-14200	EA130-24200	EA130-34200	Neutral	7°	6°	7.5°	26°	—	—	22	C
STANDARD TRAVEL/ CAM ACTION / SLIDING CONTACTS											
EA730-10000	EA730-40000	EA730-70000	CW	18°	14°	30°	90°	—	—	15	D
EA730-10001	EA730-40001	EA730-70001	CCW	18°	14°	30°	90°	—	—	15	E
EA730-10100	EA730-40100	EA730-70100	CW/CCW	18°	14°	30°	90°	—	—	15	F

See Operating Levers Section

EA130/EA140/EA730

Common Switch Characteristics

SINGLE POLE, MILD ENVIRONMENT/NAVY MARINE, BUTT/SLIDING CONTACTS		
	EA130/140	EA730
NEMA Enclosure Type	1, 2, 3, 4, 5, 6	1, 4, 6, 6P, 13
Housing Material	Zinc	Aluminum
Ambient Temperature Range*	-20°C to +90°C	
Shipping Weight	2.3 lbs. approx.	3 lbs. approx.
Lever Adjustment	7°30' Increments thru 167°	7°30' Increments thru 360°
Contacts	Butt, Silver Alloy, Form Z	Sliding, Silver Alloy Alloy, Form Z
Special Switch Features (EA730 Series)	MIL-C-2212F Watertight (3 ft. for 60 min.) and (15 ft. for 30 min.) per MIL-STD-108E Vibration Requirements per MIL-STD-167B, type 1 High Shock per MIL-S-901, grade A, Class 1, type A	

* Some high temperature (0°C to 150°C) versions available (EA130/140). See chart.

EA130/140

Continuous Current Rating - Amperes

VOLTAGE	AC	DC
125	20.0	5.0
250	15.0	1.5
480	10.0	-
600	5.0	-

75-100% Power Factor

EA730

Continuous Current Rating - Amperes

VOLTAGE	AC	DC
125	10.0	2.5
250	7.5	.75
480	5.0	-
600	2.5	-

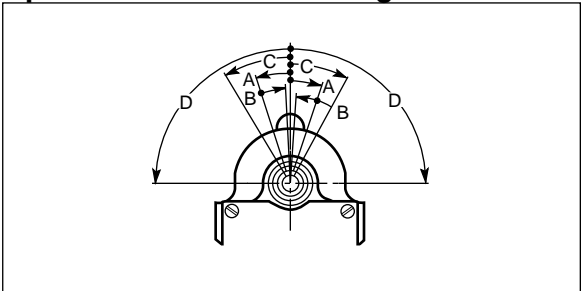
75-100% Power Factor

Limit Switches

Contact Configurations

CIRCUIT A	
CIRCUIT B	
CIRCUIT C	
CIRCUIT D	
CIRCUIT E	
CIRCUIT F	

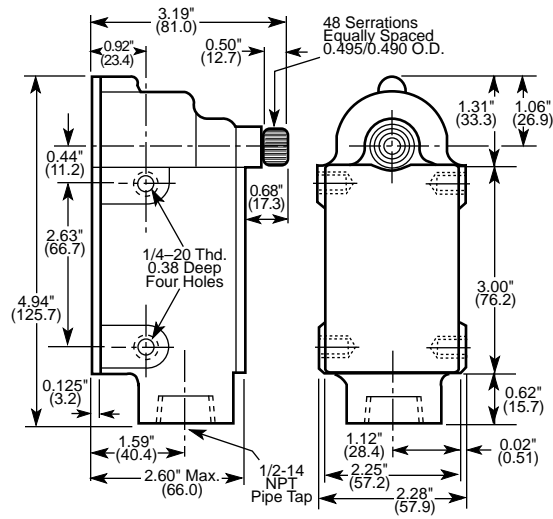
Operational Data Drawings



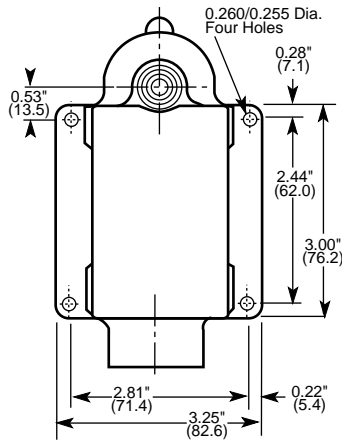
2013 West Meeting Street • Lancaster, SC 29720
 1-803-286-8491 • FAX: 1-800-678-6263
www.namcocontrols.com

For technical assistance, call 1-800-NAMTECH

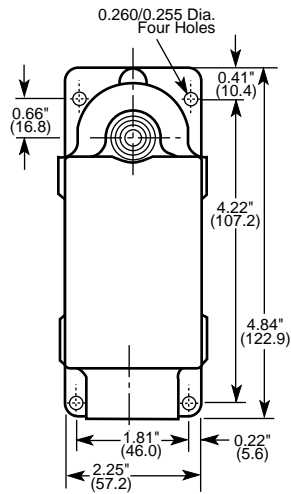
STANDARD MOUNTING PLATE



WIDE MOUNTING PLATE



LONG MOUNTING PLATE



Dimensions: inches/(mm)

