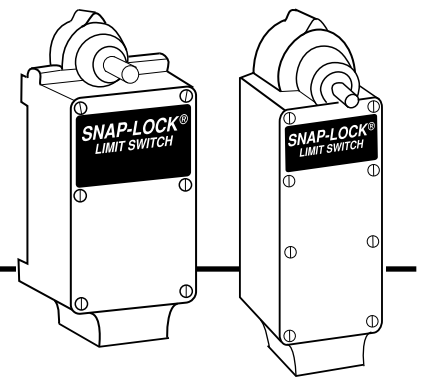


Double Pole
Standard Environment

Limit Switches

Butt Contacts



Limit Switches

Standard (EA170)

Double pole, double break, double throw, heavy duty limit switch having mechanical travel of 10° to trip and with two normally open and two normally closed circuits. Can be furnished with standard, wide or long mounting.

Short Travel (EA170)

With mechanical travel of 6-1/2° required to trip, this heavy duty limit switch operates with two normally open

and two normally closed circuits. Can be furnished with standard, wide or long mounting.

Reverse Shaft (EA170)

Designed for applications where a reverse shaft is essential in operation. This series provides the same snap locking action of the other series of EA170 Snap-Lock Switches. Can be furnished with standard, wide or long mounting.

EA700 (Standard)

The versatility of the Snap-Lock mechanism is gained through the use of a series of uniquely designed cams. The cam and cam mechanism allow features such as bi-directional operation and generous overtravel. These features make the EA700 Series one of the most popular. Can be furnished with Standard, Wide or Long mounting.

EA170 Double Pole 2 N.O. - 2 N.C. / Butt Contacts / Rocker Type

Standard Mounting Model No.	Wide Mounting Model No.	Long Mounting Model No.	Dir. Of Operation	Angle A Trip Travel	Angle B Reset Travel	Angle C Recom. Travel	Angle D Total Travel	Angle E Min. Travel to Maintain	Angle F Overall Travel	Torque (inch lbs)	Contact Config.	Data Drawing
STANDARD TRAVEL												
EA170-11100	EA170-21100	EA170-31100	CW	10°	8°	13°	37°	-	-	23	A	1
EA170-12100	EA170-22100	EA170-32100	CCW	10°	8°	13°	37°	-	-	23	B	1
EA170-13100	EA170-23100	EA170-33100	Maintain	10°	8°	13°	37°	-	-	10	-	1
SHORT TRAVEL												
EA170-14100	EA170-24100	EA170-34100	CW	6° 30'	4°	7°	36°	-	-	32	A	1
EA170-15100	EA170-25100	EA170-35100	CCW	6° 30'	4°	7°	36°	-	-	32	B	1
EA170-16100	EA170-26100	EA170-36100	Maintain	6° 30'	4°	7°	36°	-	-	10.5	-	1
STANDARD TRAVEL - REVERSE SHAFT												
EA170-41100	EA170-51100	EA170-61100	CW	10°	8°	13°	37°	-	-	30	A	1
EA170-42100	EA170-52100	EA170-62100	CCW	10°	8°	13°	37°	-	-	30	B	1
EA170-43100	EA170-53100	EA170-63100	Maintain	10°	8°	13°	37°	-	-	23	-	1

EA700 Double Pole Standard 2 N.O. - 2 N.C. / Neutral Position 4 N.O. or 4 N.C. / Butt Contacts

Standard Mounting Model No.	Wide Mounting Model No.	Long Mounting Model No.	Dir. Of Operation	Angle A Trip Travel	Angle B Reset Travel	Angle C Recom. Travel	Angle D Total Travel	Angle E Min. Travel to Maintain	Angle F Overall Travel	Torque (inch lbs)	Contact Config.	Data Drawing
STANDARD TRAVEL / CAM ACTION												
EA700-20000	EA700-50000	EA700-80000	CW	18°	14°	30°	90°	-	-	27	C	1
EA700-20001	EA700-50001	EA700-80001	CCW	18°	14°	30°	90°	-	-	27	D	1
EA700-20100	EA700-50100	EA700-80100	CW/CCW	18°	14°	30°	90°	-	-	27	E	1
NEUTRAL POSITION / CAM ACTION - ALL CONTACTS OPEN												
EA700-25000	EA700-55000	EA700-85000	CW	11°	9°	45°	90°	-	-	19.5	F	1
			CCW	35°	13°	45°	90°	-	-	15		

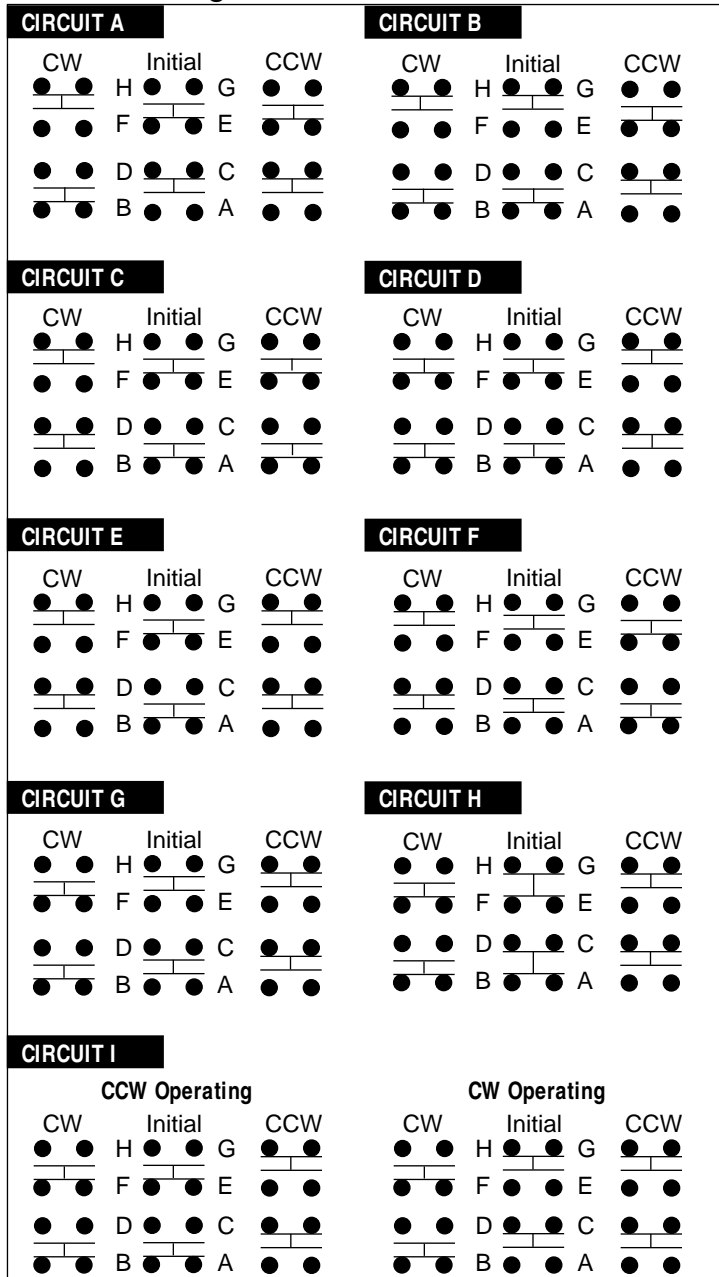
See Operating Levers Section

EA700 Double Pole Standard

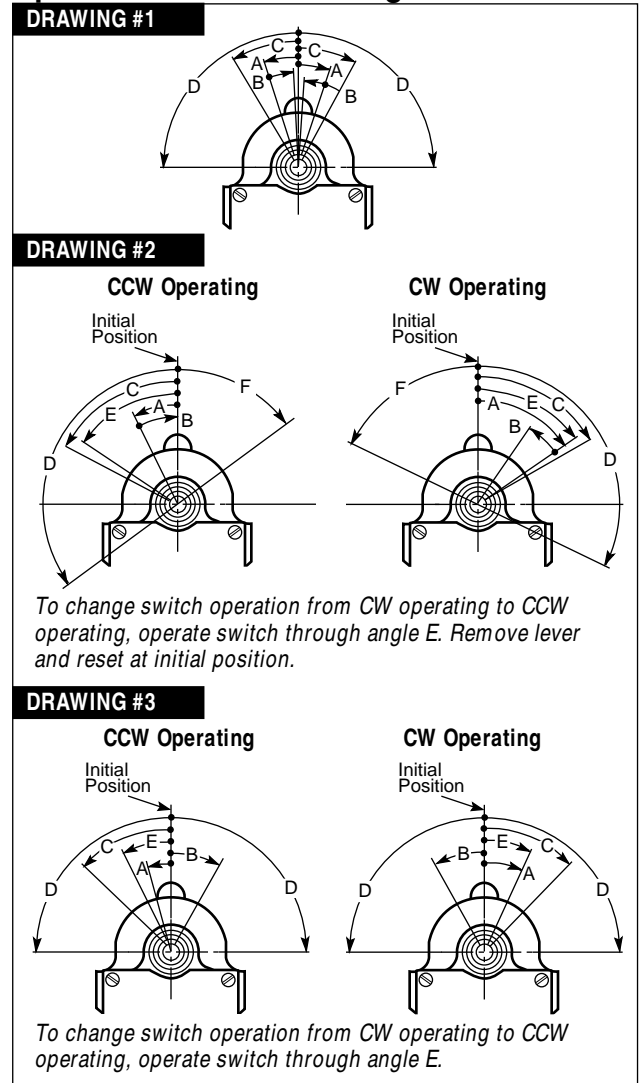
2 N.O. - 2 N.C. / Neutral Position 4 N.O. or 4 N.C. / Butt Contacts / Cam Action

Standard Mounting Model No.	Wide Mounting Model No.	Long Mounting Model No.	Dir. Of Operation	Angle A Trip Travel	Angle B Reset Travel	Angle C Recom. Travel	Angle D Total Travel	Angle E Min. Travel to Maintain	Angle F Overall Travel	Torque (inch lbs)	Contact Config.	Data Drawing
NEUTRAL POSITION - ALL CONTACTS OPEN												
EA700-25102	EA700-55102	EA700-85102	CW	31°	22°	45°	90°	-	-	16.5	G	1
			CCW	31°	12°	45°	90°	-	-	20.5		
NEUTRAL POSITION - ALL CONTACTS CLOSED												
EA700-25108	EA700-55108	EA700-85108	CW	31°	22°	45°	90°	-	-	16.5	H	1
			CCW	31°	12°	45°	90°	-	-	20.5		
MAINTAINED CONTACT - MAINTAINED CONTACTS & LEVER POSITION												
EA700-26000	EA700-56000	EA700-86000	CW	55°	22°	60°	116°	55°	64°	6	I	2
			CCW	25°	25°	60°	124°	54°	56°	12		
MAINTAINED CONTACT - MAINTAINED CONTACTS - LEVER RETURNED												
EA700-26700	EA700-56700	EA700-86700	CW	30°	26°	45°	90°	30°	-	15	I	3
			CCW	16°	30°	45°	90°	26°	-	16.5		

Contact Configurations



Operational Data Drawings



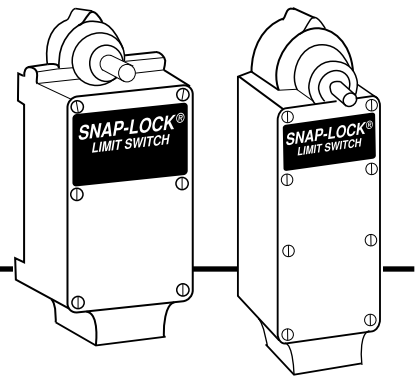
2013 West Meeting Street • Lancaster, SC 29720
 1-803-286-8491 • FAX: 1-800-678-6263
www.namcocontrols.com

For technical assistance, call 1-800-NAMTECH

DadePde
Standard Environment

Limit Switches

Butt Contacts



Limit Switches

Common Switch Characteristics

DOUBLE POLE, STANDARD ENVIRONMENT, BUTT CONTACTS		
	EA170	EA700
NEMA Enclosure Type	1, 4, 13	
Housing Material	Zinc/Al.	Zinc
Ambient Temperature Range*	-20°C to +90°C	
Shipping Weight	3.5 lbs. approx.	4 lbs. approx.
Lever Adjustment	EA170 Std. Shaft: 7°30' Increments thru 167° EA170 Rev. Shaft: 7°30' Increments thru 360°	7°30' Increments thru 360°
Contacts	Butt, Silver Alloy, Form Z	

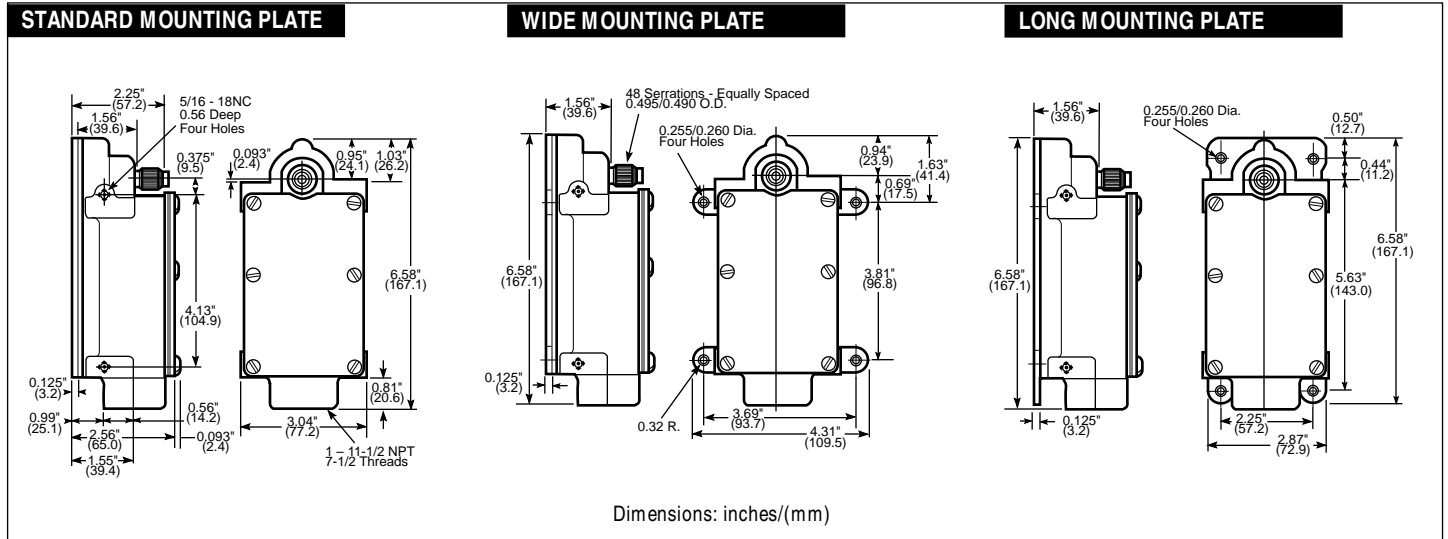
* Some high temperature (+20°C to 180°C) and low temperature (-40°C to +90°C) versions available. Contact factory.

Continuous Current Rating - Amperes

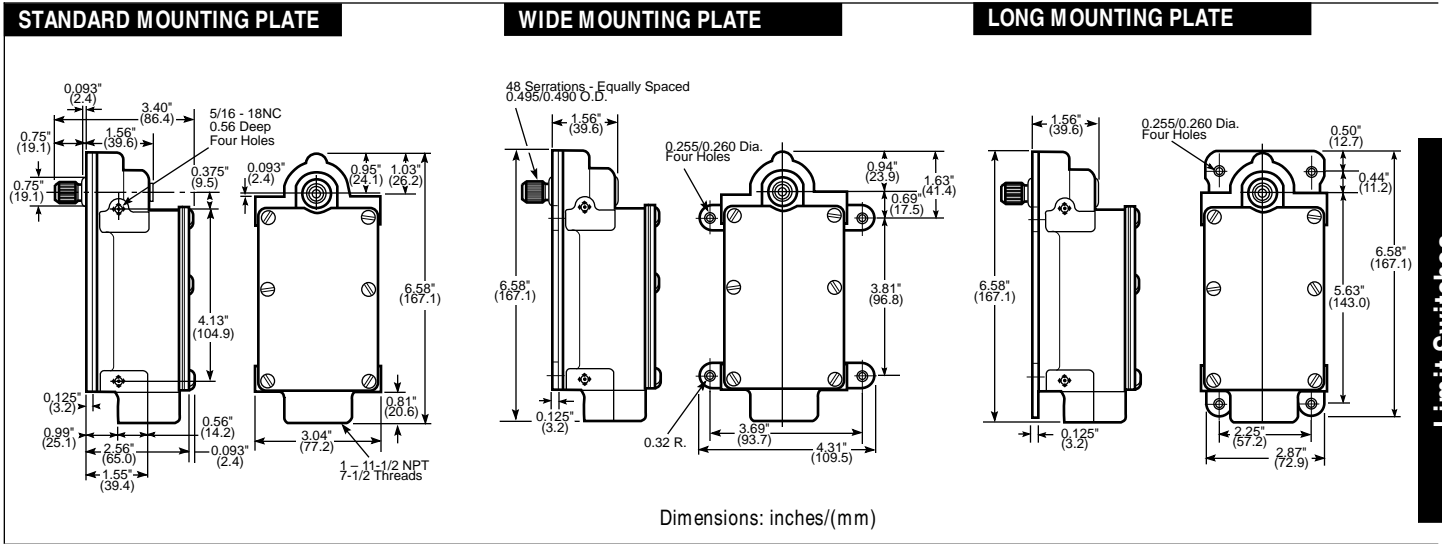
VOLTAGE	AC	DC
125	20.0	5.0
250	15.0	1.5
480	10.0	-
600	5.0	-

75-100% Power Factor

EA170 (Standard) Series Drawings

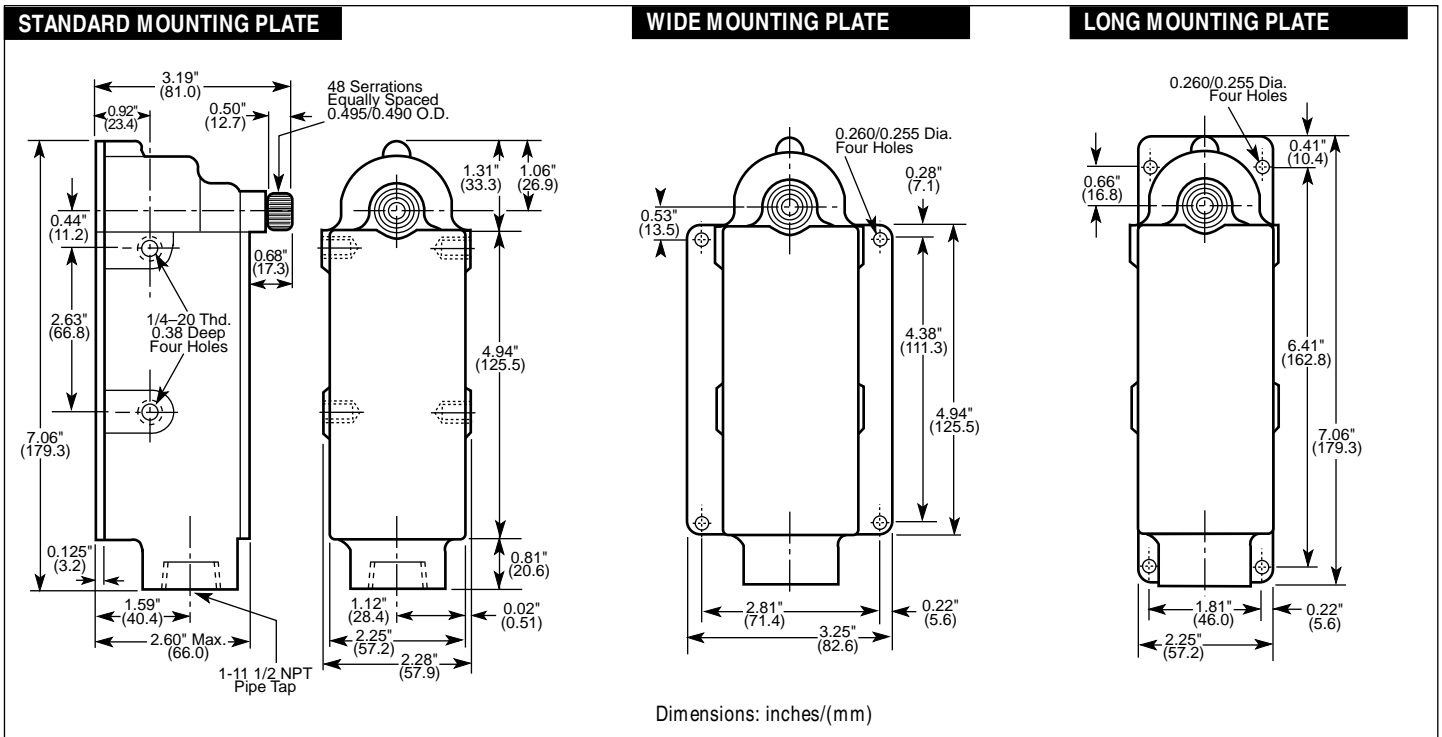


EA170 (Reverse Shaft) Series Drawings



Limit Switches

EA700 Series Drawings



2013 West Meeting Street • Lancaster, SC 29720
 1-803-286-8491 • FAX: 1-800-678-6263
www.namcocontrols.com

For technical assistance, call 1-800-NAMTECH