

NAMCO

DURAPROX

EXTENDED RANGE

NEW! Proprietary High-Temperature Abrasion-Resistant Coating Resists Weld-Slag Buildup



25mm SHIELDED RANGE

35mm UNSHIELDED RANGE



Standard Sensor — Failed due to weld slag adhesion after 1,663 Weld Cycles

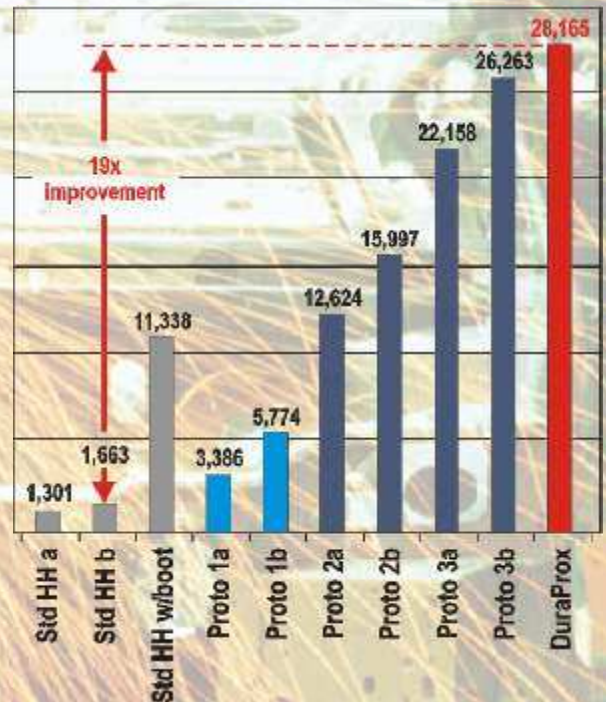


Namco DURAPROX™ Sensor after 28,000 Weld Cycles: Superior Resistance to Slag Build-Up and Adhesion

- Designed to Survive the Toughest Automotive Welding Environments

- Lasts More Than 10 Times Longer than Standard Sensors In Independent Laboratory Tests

- New EXTENDED Range Version 25mm Shielded/35mm Unshielded Provides 25% More Reliable Sensing Range to Keep



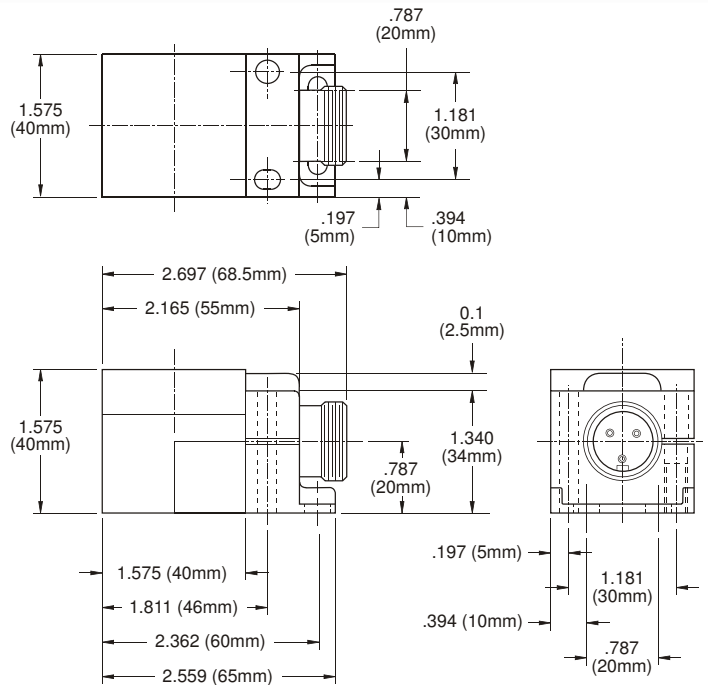
A wide range of materials were tested to determine optimal surface hardness and thermal characteristics necessary to survive the rigors of the automotive welding environment. Proven in independent laboratory testing, Namco DURAPROX™ survives weld-slag buildup UP TO 19 TIMES LONGER than

NAMCO

DURAPROX

EXTENDED RANGE

Specifications		
	2-Wire AC/DC	3-Wire DC
Operating Voltage	20-150 VAC/DC	10-30 VDC
Output Circuit	2-Wire	PNP (Sourcing)
Load Current	200mA	200mA
Leakage Current	<1.7 ma @ 110VAC	< 10µA
No Load Current		< 6mA @ 24 VDC
LED Indicators	RED = POWER GREEN = TARGET	GREEN = POWER AMBER = TARGET
Voltage Drop	<10V @ 200ma	<1.5V @ 200mA
Switching Speed	10 Hz	150 Hz
Range Accuracy	±10%	
Temperature Range	-25°C to +70°C	
Temperature Drift	±15% max.	
Hysteresis	3% - 8% typical, 15% max.	
Enclosure Type	IP67	
Mis-Wire Protected	YES	
Short-Circuit Protected	YES	
Weld Field Immune	YES	



Conversion from Top Sensing to Side Sensing is as easy as 1, 2, 3



DURAPROX™ ORDERING INFORMATION						
	3-wire DC, 10-30V, NO, PNP, Non-Latching SCP		3-wire DC, 10-30V, NO, PNP, Latching SCP		2-wire AC/DC, 20-150V, NO, Latching SCP	
	4-Pin Mini	4-Pin Euro	4-Pin Mini	4-Pin Euro	3-Pin Mini	3-Pin Micro
15mm SHIELDED	EE510-90001	EE510-90041	EE510-90401	EE510-90441	EE530-90401	EE530-90421
20mm SHIELDED	EE510-91001	EE510-91041	EE510-91401	EE510-91441	EE530-91401	EE530-91421
25mm UNSHIELDED	EE510-92001	EE510-92041	EE510-92401	EE510-92441	EE530-92401	EE530-92421
NEW Extended Range Versions						
25mm SHIELDED	EE510-93001	EE510-93041	EE510-93401	EE510-93441	EE530-93401	EE530-93421
35mm UNSHIELDED	EE510-94001	EE510-94041	EE510-94401	EE510-94441	EE530-94401	EE530-94421