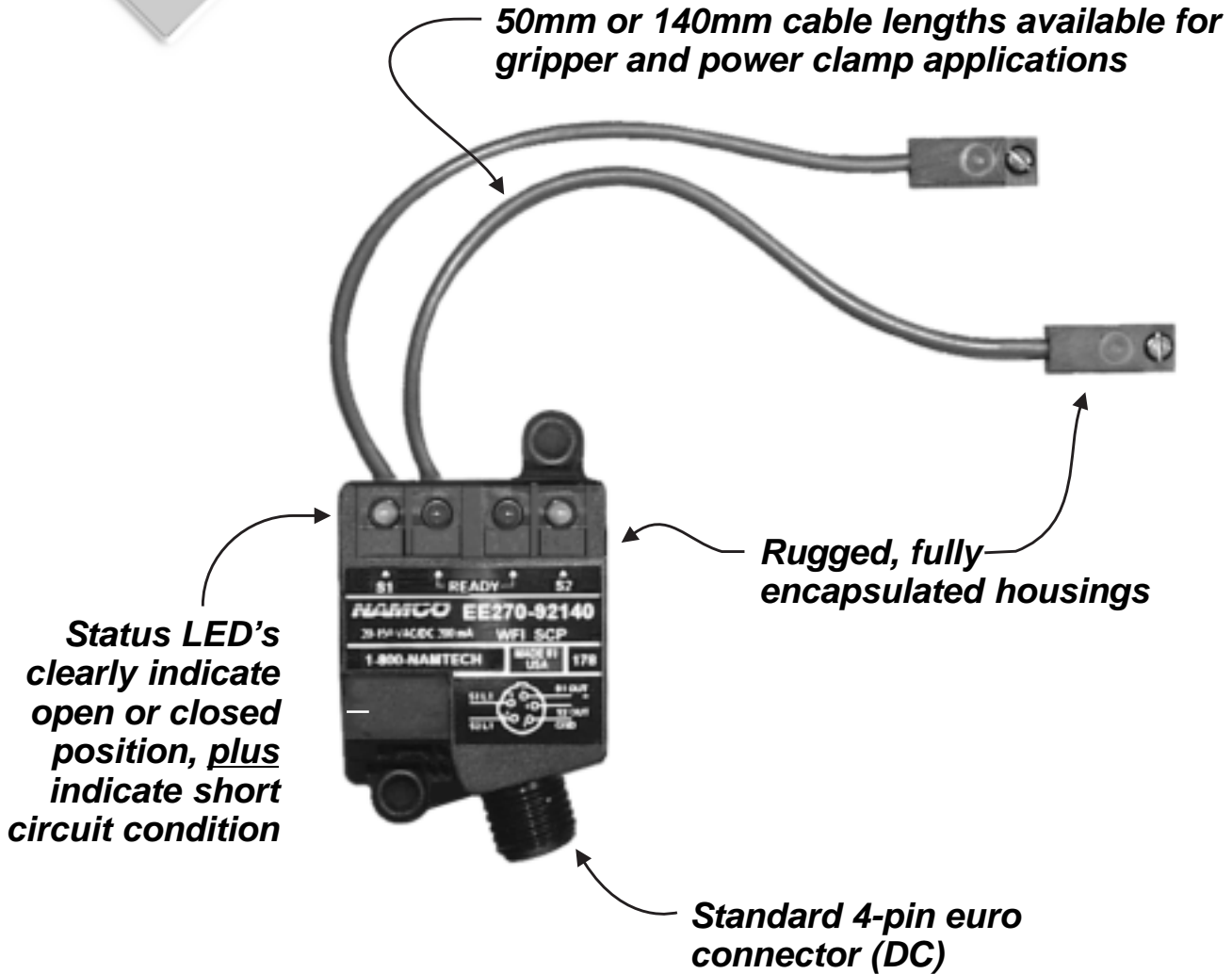


### C2000™ Cylindicator® Sensor Type 92

NEW!

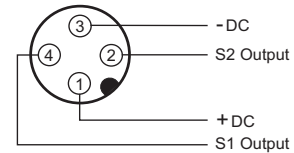


- Designed to fit new enclosed style power clamps and grippers utilizing integral sensors
- Kit senses both open and closed positions
- Single cordset reduces wiring time and material costs as compared to two discrete sensors
- Two 10-30V, 3-wire DC WFI sensors with non-latching Short Circuit Protection
- All Namco WFI sensors pass the NEMA noise tests and exhibit no false turn-ons from walkie-talkies or other in-plant sources of RF Noise
- Includes mounting kit with two M5x0.8 and two M2.5x0.45 mounting screws, four washers, and a gasket.

Specifications	3-wire DC Sourcing
Supply Voltage	10-30VDC
Sensing Range	2.0mm (.08") ±10%
Temperature Drift (Max.)	±10%
Current Consumption	10mA
Voltage Drop	2.0V @ 100mA
Load Current	200mA Max.
Leakage Current	10µA
Weld Field immune/RF immune	Yes
Short Circuit Protection (SCP)	Yes
Reverse Polarity Protection	Yes
Response Time (On)	30ms
Response Time (Off)	1ms
Switching Frequency	16Hz
Hysteresis	3-10%
Connector	4-pin single-key euro
Operating Temperature Range	-25°C to +70°C

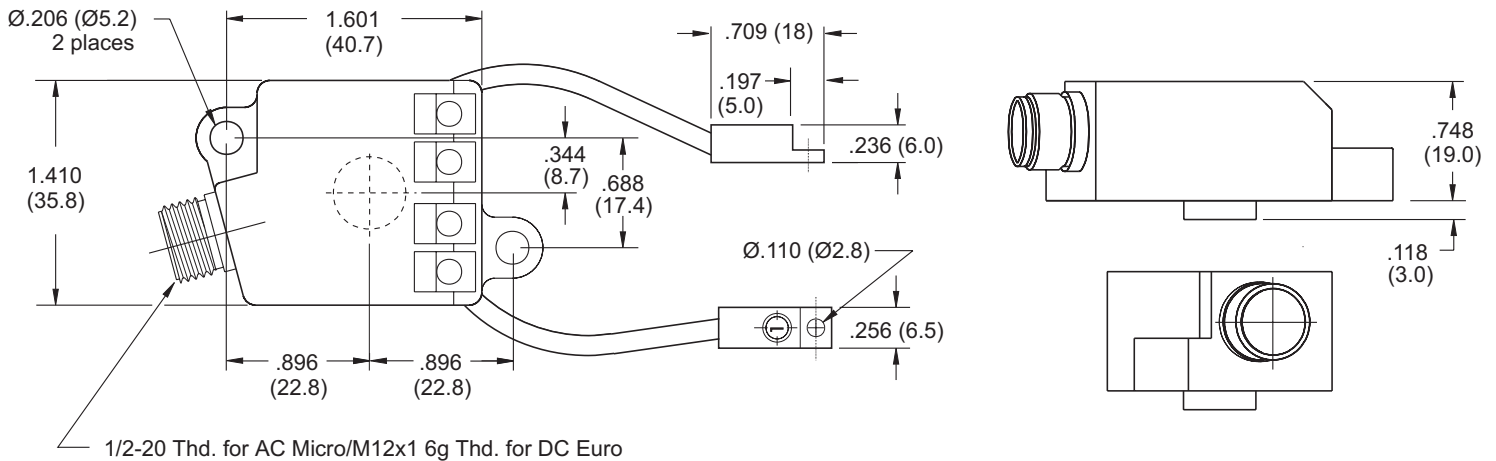
**Wiring Diagram**

Euro Connector (3-wire DC)



LED Functions	3-wire DC version			
	Sensor 1		Sensor 2	
	Ready	S1	Ready	S2
Power/Ready	Green	Off	Green	Off
Sensor 1 Targeted	Green	Yellow	Green	Off
Sensor 2 Targeted	Green	Off	Green	Yellow
Sensor 1 SCP Tripped	Flashing		Green	Off
Sensor 2 SCP Tripped	Green	Off	Flashing	

**Dimensions**



Ordering Information (C2000 Power Clamp Sensor Type 92)	
Description	Part Number
10-30VDC, PNP, 4-pin, Euro Connector, 140mm Leads	EE280-92140

