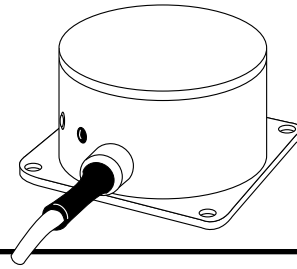


Round Metal

Inductive Flat Pack

DC AC



Proximity Sensors

These long range sensors are shielded and not susceptible to side sensing of surrounding metal.

20-90mm (Shielded) Sensing Ranges

Connector Type	Circuit Description	Housing Material	Shielded Model No.	Unshielded Model No.	Maximum Load Current	Leakage Current	Voltage Drop*	Maximum Switching Frequency	Short Circuit Protected
20mm Sensing Range DC 10-30V									
6.6' Cable	3W, NPN, NO	Metal	ER510-80130	—	400mA	<10µA	<2.5 VDC	30Hz	yes
6.6' Cable	3W, PNP, NO	Metal	ER511-80130	—	400mA	<10µA	<2.5 VDC	30Hz	yes
20mm Sensing Range AC 20-250V									
6.6' Cable	2W, AC, NO	Metal	ER520-80430**	—	400mA	<1.5mA @220 VAC	<8 VAC @400mA	25Hz	no
20-45mm Adjustable Sensing Range DC 10-55V									
4-pin Mini	3W, NPN, NO	Metal	ER510-81120	—	400mA	<10µA	<2.5 VDC @400mA	30Hz	yes
4-pin Mini	3W, PNP, NO	Metal	ER511-81120	—	400mA	<10µA	<2.5 VDC @400mA	30Hz	yes
6.6' Cable	3W, NPN, NO	Metal	ER510-81130	—	400mA	<10µA	<2.5 VDC @400mA	30Hz	yes
6.6' Cable	3W, PNP, NO	Metal	ER511-81130	—	400mA	<10µA	<2.5 VDC @400mA	30Hz	yes
20-45mm Adjustable Sensing Range AC 80-250V									
3-pin Mini	2W, AC, NO	Metal	ER520-81420**	—	400mA	<2mA	<8 VAC @400mA	10Hz	no
6.6' Cable	2W, AC, NO	Metal	ER520-81430**	—	400mA	<2mA	<8 VAC @400mA	10Hz	no
45-90mm Adjustable Sensing Range DC 10-55V									
4-pin Mini	3W, NPN, NO	Metal	ER510-82120	—	400mA	<10µA	<2.5 VDC @400mA	30Hz	yes
4-pin Mini	3W, PNP, NO	Metal	ER511-82120	—	400mA	<10µA	<2.5 VDC @400mA	30Hz	yes
6.6' Cable	3W, NPN, NO	Metal	ER510-82130	—	400mA	<10µA	<2.5 VDC @400mA	30Hz	yes
6.6' Cable	3W, PNP, NO	Metal	ER511-82130	—	400mA	<10µA	<2.5 VDC @400mA	30Hz	yes
45-90mm Adjustable Sensing Range AC 80-250V									
3-pin Mini	2W, AC, NO	Metal	ER520-82420**	—	400mA	<2.5mA @220 VAC	<8 VAC @400mA	10Hz	no
6.6' Cable	2W, AC, NO	Metal	ER520-82430**	—	400mA	<2.5mA @220 VAC	<8 VAC @400mA	10Hz	no

* Across conducting sensor

** Without Mounting Plate

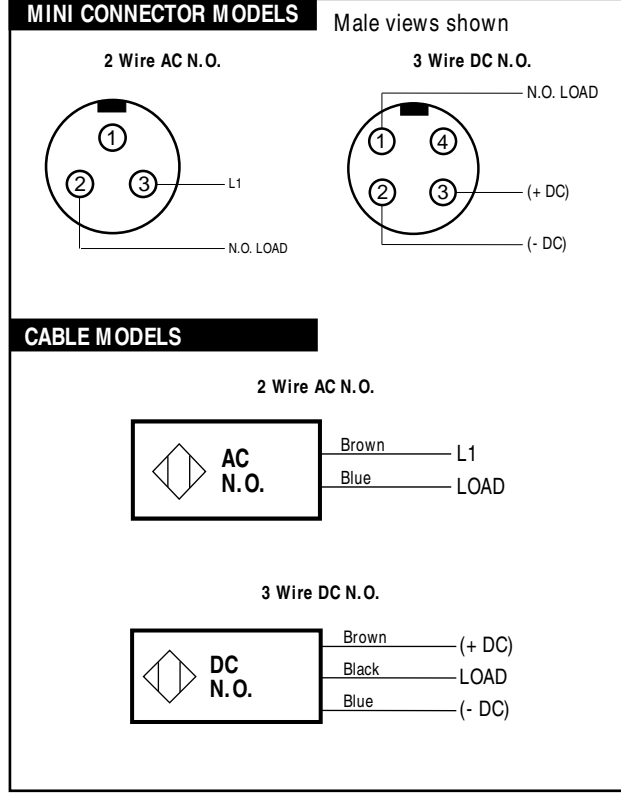
► Consult factory for normally closed model availability.



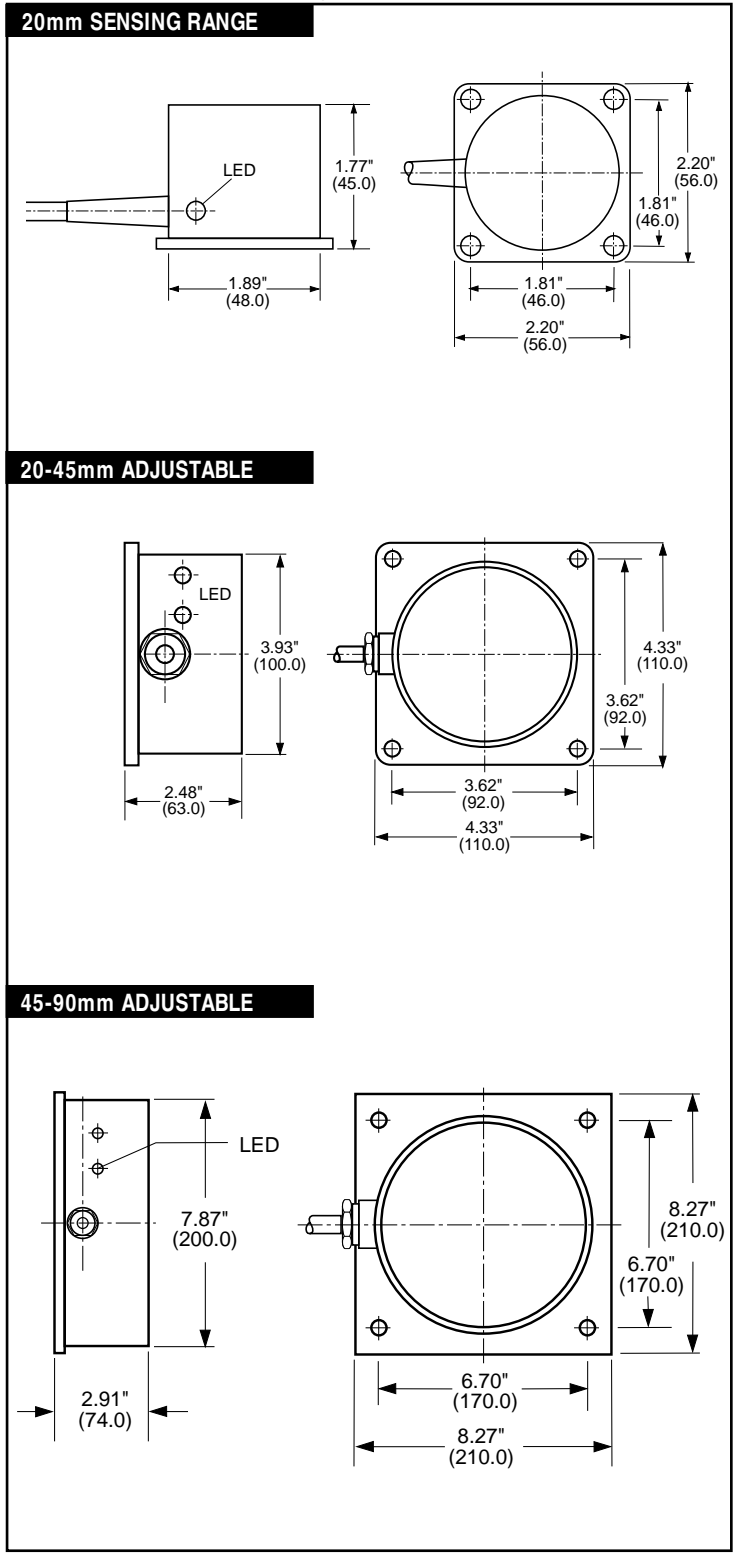
Common Sensor Characteristics

ROUND METAL FLAT PACK DC & AC SENSORS	
Shielded Sensing Range	20-90mm
Standard Target (mm) (mild steel)	60x60x1 (20mm Range) 135x135x1 (20-45mm Range) 270x270x1 (45-90mm Range)
Repeatability	± 2%
Hysteresis	3-8% (typ.); 15% (max.)
Temperature Drift (max.)	±15%
Ambient Temperature Range	-13°F to +158°F
Reverse Polarity Protected	yes
Current Consumption	<1.5mA
NEMA Enclosure Type	1, 3, 4, 4x
LED Indicator	red = target
Metal Housings	Aluminum
Shipping Weight	Connector model: 2 lb. Cable model: 2 lb. 5 oz.

Circuit Drawings



Dimensional Drawings



Proximity Sensors



2013 West Meeting Street • Lancaster, SC 29720
1-803-286-8491 • FAX: 1-800-678-6263
www.namcocontrols.com

For technical assistance, call 1-800-NAMTECH