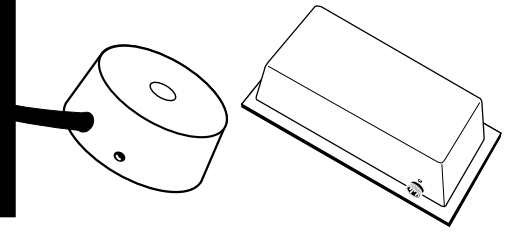


# Plastic

# Inductive Flat Pack

# DC AC



Proximity Sensors

These ultra long range sensors are ideal when exact positioning of large objects is not possible.

## 20-250mm Adjustable (Unshielded) Sensing Ranges

Connector Type	Circuit Description	Housing Material	Shielded Model No.	Unshielded Model No.	Maximum Load Current	Leakage Current	Voltage Drop*	Maximum Switching Frequency	Short Circuit Protected
<b>Round 20-50mm Adjustable DC 10-55V</b>									
6.6' Cable	3W, NPN, NO	Plastic	—	<b>ER510-25121</b>	400mA	<10µA	<2.5 VDC @ 400mA	30Hz	yes
6.6' Cable	3W, PNP, NO	Plastic	—	<b>ER510-25123</b>	400mA	<10µA	<2.5 VDC @ 400mA	30Hz	yes
<b>Round 20-50mm Adjustable AC 80-250V</b>									
6.6' Cable	2W, AC, NO	Plastic	—	<b>ER520-25165</b>	400mA	<2mA @ 220 VAC	<8 VAC @ 400mA	8Hz	no
<b>Round 30-70mm Adjustable DC 10-30V</b>									
6.6' Cable	3W, NPN, NO	Plastic	—	<b>ER510-27021</b>	400mA	<10µA	<2.5 VDC @ 400mA	30Hz	yes
6.6' Cable	3W, PNP, NO	Plastic	—	<b>ER510-27023</b>	400mA	<10µA	<2.5 VDC @ 400mA	30Hz	yes
<b>Round 30-70mm Adjustable AC 80-250V</b>									
6.6' Cable	2W, AC, NO	Plastic	—	<b>ER520-27065**</b>	400mA	<2mA @ 220 VAC	<8 VAC @ 400mA	8Hz	no
<b>Round 40-100mm Adjustable DC 10-30V</b>									
4-pin Mini	3W, NPN, NO	Plastic	—	<b>ER510-21221</b>	400mA	<10µA	<2.5 VDC @ 400mA	20Hz	yes
4-pin Mini	3W, PNP, NO	Plastic	—	<b>ER510-21223</b>	400mA	<10µA	<2.5 VDC @ 400mA	20Hz	yes
6.6' Cable	3W, NPN, NO	Plastic	—	<b>ER510-21021</b>	400mA	<10µA	<2.5 VDC @ 400mA	20Hz	yes
6.6' Cable	3W, PNP, NO	Plastic	—	<b>ER510-21023</b>	400mA	<10µA	<2.5 VDC @ 400mA	20Hz	yes
<b>Round 40-100mm Adjustable AC 80-250V</b>									
3-pin Mini	2W, AC, NO	Plastic	—	<b>ER520-21265**</b>	400mA	<2mA @ 220 VAC	<8 VAC @ 400mA	8Hz	no
6.6' Cable	2W, AC, NO	Plastic	—	<b>ER520-21065**</b>	400mA	<2mA @ 220 VAC	<8 VAC @ 400mA	8Hz	no
<b>Rectangular 70-150mm Adjustable AC/DC 38-250V</b>									
3-pin Mini	2W, AC/DC, NO	Plastic	—	<b>ER520-86401**</b>	400mA	<2mA @ 220 VAC	<11 VAC	10Hz	yes
6.6' Cable	2W, AC/DC, NO	Plastic	—	<b>ER520-86411**</b>	400mA	<2mA @ 220 VAC	<11 VAC	10Hz	yes
<b>Rectangular 100-250mm Adjustable AC/DC 38-250V</b>									
3-pin Mini	2W, AC/DC, NO	Plastic	—	<b>ER520-87401**</b>	400mA	<2mA @ 220 VAC	<11 VAC	5Hz	yes
6.6' Cable	2W, AC/DC, NO	Plastic	—	<b>ER520-87411**</b>	400mA	<2mA @ 220 VAC	<11 VAC	5Hz	yes

\* Across conducting sensor

\*\* Without Mounting Plate

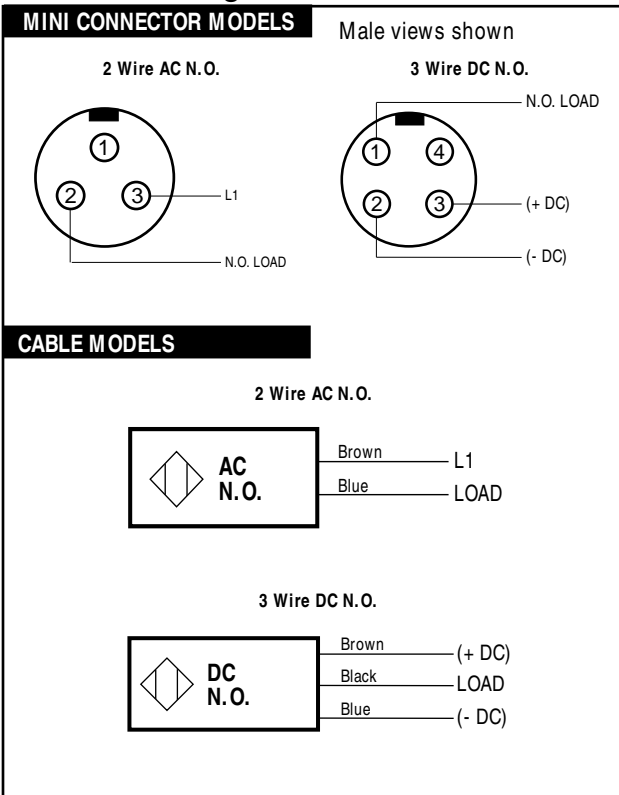
► Consult factory for normally closed model availability.



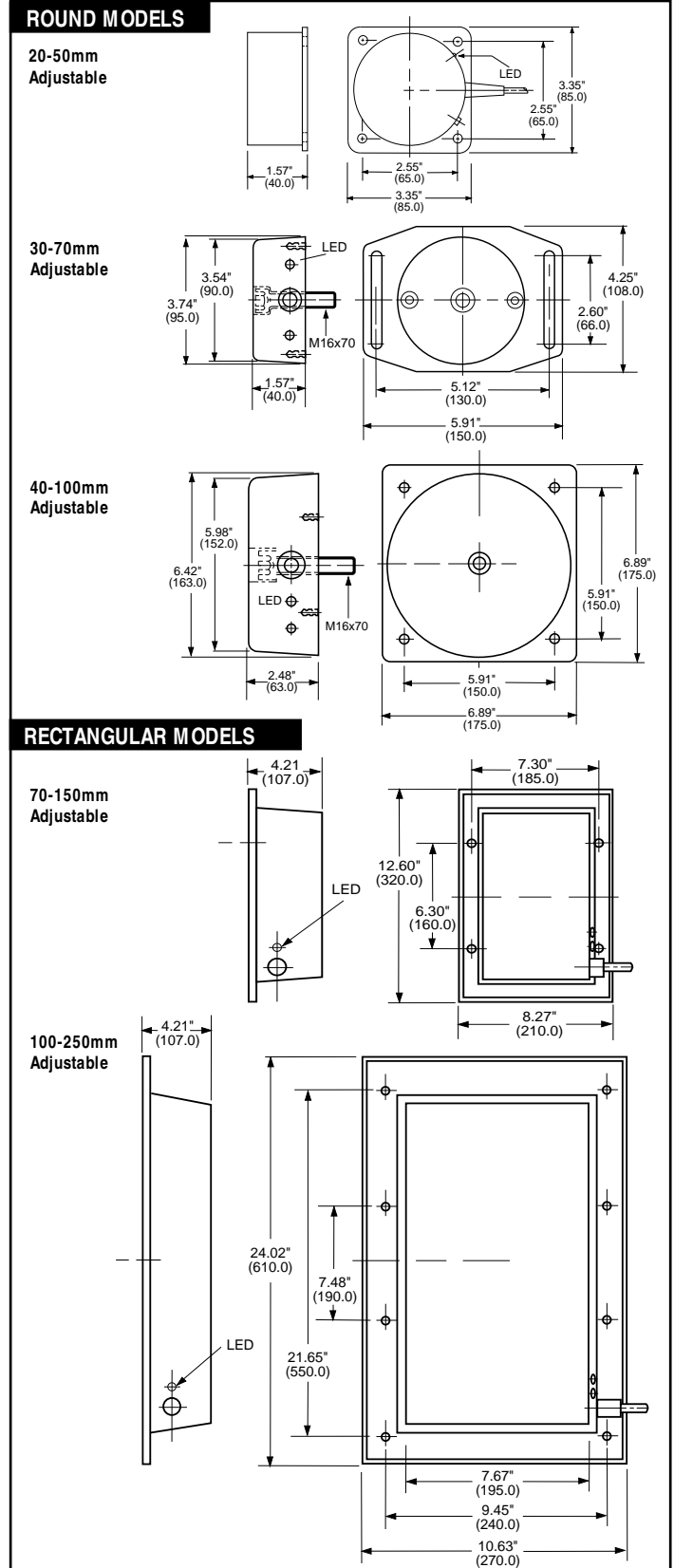
## Common Sensor Characteristics

PLASTIC FLAT PACK DC & AC SENSORS	
Unshielded Sensing Range	20-250mm Adjustable
Standard Target (mm) (mild steel)	150x150x1 (20-50mm range) 210x210x1 (30-70mm range) 300x300x1 (40-100mm range) 450x450x1 (70-150mm range) 600x600x1 (100-250mm range)
Repeatability	± 2%
Hysteresis	3-8% (typ.); 15% (max.)
Temperature Drift (max.)	±15%
Ambient Temperature Range	-13°F to +158°F
Reverse Polarity Protected	yes
Current Consumption	<6mA (DC)
NEMA Enclosure Type	1, 12, 13
LED Indicator	red = target
Plastic Housings	Noryl®
Shipping Weight	Connector model: 5 lb. Cable model: 5 lb. 5 oz.

## Circuit Drawings



## Dimensional Drawings



2013 West Meeting Street • Lancaster, SC 29720  
1-803-286-8491 • FAX: 1-800-678-6263  
www.namcocontrols.com

For technical assistance, call 1-800-NAMTECH